

BENTLEY MK. VI.SECTION JB R A K E S

Containing:-

- GROUP 1 ADJUSTER, FRONT BRAKES
 2 ADJUSTER, REAR BRAKES
 3 CARRIER, FRONT BRAKE
 4 CARRIER, REAR BRAKE
 5 EXPANDER, FRONT BRAKE
 6 EXPANDER, REAR BRAKE
 7 HAND BRAKE
 7A HAND BRAKE TWIST FULL TYPE
 8 HYDRAULIC FITTINGS
 9 SERVO MOTOR
 10 PEDAL FOOT BRAKE
 11 RODS AND RELAYS (RC)
 11A RODS AND RELAYS (LC)
 12 SHOE AND LINKAGE
 12A FRONT SHOE AND LINKAGE

KEY TO CHASSIS NUMBERS

Used on	A,B,C,D,E,F Series	= F
" "	B-GT 1 onwards	= G
" "	B-CF 436-446	
" "	B-CD 17-501	
" "	D,E, F Series	= H
" "	A & B Series	
" "	B-CF 2-434, 448-500	
" "	B-CD 1-15	= J

Used on	B-CF	436-446	
" "	B-CD	17-277, 281-303, 311-315, 323-345	= K
" "	B-CD	279, 305-309, 317-321, 347-501	= L
" "		D,E,F,G Series	
" "	B-HR	2-250	
" "	B-HF	1-239, 251	
" "	B-JO	4-116, 138-144	= M
" "	B-HF	241-249	
" "	B-JO	2, 118-136, 146 onwards	= N
" "		A,B,C,D,E, Series	
" "	B-FV	2-318	= Q
" "	B-FV	320 onwards	= R
" "		A & B Series	
" "	B-CF	2-174, 178-298, 342	
" "	B-DA	214, 218, 230, 386-392, 430	
" "	B-DZ	241, 249-259, 269-317, 343-367, 377-501	
" "		E & F Series	= S
" "	B-CF	176, 300-340, 344-500	
" "	B-CD	1-501	
" "	B-DA	2-212, 216, 220-228, 232-384, 394-428, 432-500	
" "	B-DZ	1-239, 243-247, 261-267, 319-341, 369-375	= T
" "		A,B,C Series	
" "	B-DA	2-500	
" "	B-DZ	1-443, 447-487, 491	= U
" "	B-DZ	445, 477, 489, 493-501	
" "		E, F Series	= V
" "	B-CF	436-446	
" "	B-CD	17-501	
" "	B-DA	2-212, 216, 220-228, 332-384, 394-428, 432-500	
" "	B-DZ	1-239, 243-247, 261-267, 319-341, 369-375	= W
" "	B-DA	214, 218, 230, 386-392, 430	
" "	B-DZ	241, 249-259, 269-317, 343-367, 377 onwards	= X
" "	B-CF	436-446	
" "	B-CD	17 onwards	= Y
" "	B-CD	279, 305-309, 317-321, 347-501 onwards	= Z

(Continued overleaf)

Used on	A,B,C,D,E,F,G Series	= AA
" "	H Series onwards	= BB

GROUP J1. ADJUSTER, FRONT BRAKES (2 off per Chassis)

Comprising

ADJUSTER, assembly, consisting of	1	GB 3859	1	
Adjuster, square end		RG 7002	1	
Housing		RG 7001	1	
Plunger		RG 7004	1	
Plunger		RG 7005	1	
PIECE, distance housing screw	2	GB 3803	2	F
PIECE, distance housing screw		RG 4944	2	G
SCREW, housing	3	GB 3825	2	F
SCREW, housing		RG 5344	2	G
WASHER, spring, .375" dia.		K 9010/Z	2	

GROUP J2. ADJUSTER, REAR BRAKES (2 off per Chassis)

Comprising

ADJUSTER, assembly, consisting of	1	GB 3858	1	
Adjuster, square end		RG 7003	1	
Housing		RG 7001	1	
Plunger		RG 7004	1	
Plunger		RG 7005	1	
GLAND, rubber adjuster stem	2	GB 3124	1	
NUT, lock, .375" dia., hand wheel	X.24	K 4316/Z	1	
SCREW, housing	3	GB 3273	2	
WASHER, plain, .375" dia., screw	X.85	K 4413/Z	2	
WASHER, plain, housing to gland	4	RG 3125	1	
WASHER, spring, .375" dia., screw	X.87	K 9010/Z	2	
WHEEL, hand adjusting	5	GB 3949	1	

GROUP J3. CARRIER, FRONT BRAKE

Comprising

BOLT, .250" dia., bracket to carrier	X.10	K 204/Z	8	
BRACKET, steady	1	GB 3798	4	F
BRACKET, steady	2	RG 7058	4	G
CATCHER, grease, L.H. with bracket	3	RG 6042	1	F *
CATCHER, grease, R.H. with bracket		RG 6044	1	F *
CATCHER, grease	4	RG 7458	2	G
JOINT, grease catcher	5	RG 3708	2	F
JOINT, grease catcher	6	RG 6181	2	G
NUT, half, .250" dia., steady bracket	X.24	K 4310/Z	8	
NUT, half, .250" dia., anchor pillar	X.24	K 4310/Z	2	F
NUT, half, .312" dia., pivot pin	X.24	K 4313/Z	2	F
NUT, half, .437" dia., pivot pin	X.24	K 4319/Z	2	F
PILLAR, spring anchor	7	RG 3421	2	F
PIN, pivot fulcrum	8	RG 4971	2	F

GROUP J3. (Continued overleaf)

GROUP J3. CARRIER, FRONT BRAKE (Continued)

PLATE, carrier, L.H. assembly, consisting of	9	RG 5515	1	F
Excluder, water		RG 3229	1	
Piece, distance excluder to screen		RG 3200	4	
Plate, carrier		RG 3425	1	
Rivet, .125" dia., excluder to screen		KB 1850	8	
Rivet, .125" dia., excluder to screen for use with distance piece		KB 1852	4	
Rivet, .125" dia., excluder to carrier to make two snap heads		KB 1904	7	
Rivet, .125" dia., excluder to carrier to make countersunk head adjacent to lower spring		KB 1908	1	
Screen, water		GB 4131	1	
PLATE, carrier, L.H. assembly, as above except	10	RG 6192	1	G
Excluder, water		RG 7057	1	
Plate, carrier		RG 7056	1	
Rivet, .125" dia., excluder to carrier to make snap heads		KB 1908	7	
PLATE, carrier, R.H. assembly, as for L.H. except	11	RG 5391	1	F
Screen water		GB 4180	1	
PLATE, carrier, R.H. assembly, as for L.H. except	12	RG 6191	1	G
Screen water		GB 4180	1	
PLUG, rubber, carrier plate	13	RG 3195	2	F
SEAL, rubber, adjuster unit	14	GB 4327	2	
STRIP, securing front brake	15	RG 6482	1	G
WASHER, Grover, .437" dia., pivot pin	X.81	K 4511/Z	2	F
WASHER, plain, .437" dia., pivot pin	X.85	K 4416/Z	2	F
WASHER, spring, .250" dia., anchor pillar and bracket	X.87	K 9008/Z	2	F
WASHER, spring, .312" dia., pivot pin	X.87	K 9009/Z	2	F

NOTE:- When the equal wear linkage fulcrum is at the rear the L.H. grease catcher becomes R.H. and vice versa.

GROUP J4. CARRIER, REAR BRAKE

Comprising

BOLT, long, steady bracket to carrier	1	RG 3173	8	
COVER, water excluder	2	RG 3161	2	F
COVER, water excluder		RG 6019	2	G
GUIDE, brake shoe	3	RG 3375	4	
NUT, full, .312" dia., carrier bolt and shoe guide	X.21	K 4009/Z	8	
NUT, half, .250" dia., anchor pillar retaining	X.24	K 4310/Z	2	

GROUP J4. (Continued overleaf)

GROUP J4. CARRIER, REAR BRAKE, (Continued)

NUT, half, .312" dia., carrier bolt and steady bracket	X.24	K 4313/Z	12	
NUT, half, .437" dia., pivot pin	X.24	K 4319/Z	2	
PIECE, distance, steady bracket bolt	4	RG 3174	8	
PILLAR, spring, anchor	5	RG 3421	2	
PIN, pivot, fulcum	6	RG 3164	2	
PLATE, carrier	7	RG 3424	2	
SCREW, short steady bracket to carrier	X.56	KC 277/Z	4	
WASHER, Grover, .437" dia., pivot pin	X.81	K 4511/Z	2	
WASHER, plain, .437" dia., pivot pin	X.85	K 4416/Z	2	
WASHER, spring, .250" dia., anchor pillar	X.87	K 9008/Z	2	F
WASHER, spring, .312" dia., steady bracket and carrier bolts	X.87	K 9009/Z	12	

GROUP J5. EXPANDER, FRONT BRAKE (2 off)

Comprising

CYLINDER, brake, L.H. assembly, consisting of	1	RG 7060	1	G
Cylinder, L.H.				
Cup	2	RG 6194	1	
Cup	2	RG 5254	2	
Cover, dust	3	RG 6183	2	
Piston	4	RG 6206	2	
Peg, locating	5	RG 6962	1	
Screw, bleeder	6	RG 5253	1	
Spring, retainer	7	RG 5255	2	
Spring	8	RG 5256	1	
Stud	X.70	KB 3830/Z	3	
CYLINDER, brake, R.H. assembly		RG 7059	1	G
Cylinder, .R.H.				
		RG 6193	1	
HOUSING, plunger assembly, consisting of	9	RG 3395	1	J
Expander				
Gland, expander		RG 3272	1	
Housing		RG 3391	1	
Housing		RG 3201	1	
Nut, cap with spring guide		RG 3385	1	
Pin, plunger retaining		RG 3382	2	
Cover, end spring		RG 3393	1	
Plunger, housing expander		GB 4177	2	
Roller, expander		RG 3384	2	
Screw, grub, Allen type			1	
Spring, large type dia.		RG 3394	1	
Spring, small dia.		RG 3392	1	
Stud, .250" dia., housing retaining		KB 755	1	
HOUSING, plunger assembly, as above except		RG 3193	1	H
Expander				
Plunger, housing expander		RG 4288	1	
		RG 4289	2	

GROUP J5. (Continued overleaf)

GROUP J.5. EXPANDER, FRONT BRAKE (Continued)

LINK, operating	10	RG.6184	2	G
LINK, pivot	11	RG.6961	1	G
NUT, half, .250" dia., housing retaining	X.24	K.4310/Z	2	F
NUT, .312" dia., cylinder studs	X.70	K.4313/Z	3	G
PIECE, distance, inner housing stud	12	GB.3826	2	F
PIECE, distance, outer housing stud	13	GB.3802	2	F
PIN, .312" dia., operating link	X.28	KB.4557/Z	1	G
PIN, split, .125" dia., operating link pins	X.31	K.4613/Z	2	G
SEAL, rubber	14	GB.4730	1	F
SEAL, rubber	15	RG.4310	1	G
STIFFENER, for rubber seal	16	RG.3228	1	F
WASHER, plain, .250" dia., housing stud	17	FW.337	2	F
WASHER, spring, .250" dia., housing stud	X.87	K.9008/Z	2	F
WASHER, spring, .312" dia., bracket cylinder studs	X.87	K.9009/Z	3	G
WASHER, Thackeray, .437" dia., housing stud	X.90	K.3807/Z	2	F

GROUP J.6. EXPANDER, REAR BRAKE (2 off per Chassis)

Comprising

EXPANDER, L.H. assembly, consisting of	1	RG.3388	1	J
Cover, expander			1	
Excluder, dust		RG.3379	1	
Expander		RG.3381	1	
Housing		RG.3378	1	
Pin, bearing, pull rod		RG.3383	1	
Pin, plunger retaining		RG.3382	2	
Plunger		RG.3380	2	
Rod, operating		RG.3168	1	
Roller		RG.3384	2	
Screw, .312" dia., housing			2	
EXPANDER, R.H. as above, except		RG.3387	1	J
Rod		RG.3169	1	
EXPANDER, L.H. assembly as RG.3388, except		RG.3763	1	K
Expander		RG.4396	1	
Plunger		RG.4395	2	
EXPANDER, R.H. assembly, as above, except		RG.3175	1	K
Rod		RG.3169	1	
EXPANDER, L.H. assembly, as RG.3763 except		RG.5569	1	L
Expander		RG.5009	1	
Rod, operating		RG.5520	1	

GROUP J.6 (Continued overleaf)

GROUP J6. EXPANDER, rear brake (Continued)

EXPANDER, R.H. assembly, as above except		RG 5568	1	L
Rod		RG 5519	1	
EXPANDER, L.H. assembly as RG.5569, except		RG 5400	1	M
Housing		RG 5010	1	
Nut, securing spring		RG 5012	1	
Spring		RG 5011	1	
EXPANDER, R.H. assembly, as above, except		RG 5399	1	M
Rod		RG 5579	1	
EXPANDER, L.H. assembly, as RG.5400, except		RG 6366	1	N
Expander		RG 6362	1	
Rod		RG 5667	1	
EXPANDER, R.H. assembly as above, except		RG 6367	1	N
Rod		RG 5666	1	
GLAND, rubber	2	RG 3199	1	
NUT, castellated, .312" dia., housing screw	X.20	KB 3639/Z	2	
PIN, pull rod jaw	3	RG 4409	1	
PIN, split, .002" dia., housing screw	X.31	K 4602/Z	2	
PIN, split, .125" dia., pull rod pin	X.31	K 4643/Z	1	
WASHER, plain, .312" dia., housing screw	X.85	K 4410/Z	2	
WASHER, Thackeray, .312" dia., housing screw	X.90	K 3805/Z	2	

GROUP J7. HAND BRAKE STRAIGHT PULL TYPE (RG) ONLY

Comprising

BOLT, .250" dia., centre brackets	X.10	K 212/Z		B
BOLT, .250" dia., centre brackets	X.10	K 210/Z		B
BOLT, .250" dia., centre brackets	X.10	K 214/Z		B
BOLT, .250" dia., cable clip to frame retaining	X.10	K 241/Z	1	
CABLE, assembly, consisting of	2	RG. 3716	1	
Adjuster		GB 37397	1	⊕
Cable, inner cable ends		GB 34866	2	⊕
Jaw		GB 19120	1	⊕
Nut, adjuster		30.B.S.2	2	⊕
Pin, hearing		T5.B.S.20	1	⊕
Pin, split jaw		50.B.S.13	1	⊕
Sheath outer (57" long x .320" dia.)			1	⊕
Washer, adjuster		45.B.S.2	2	⊕
Washer, jaw		45.B.S.11	1	⊕
CLIP, outer, cable to frame	3	RG 3266	1	
HANDBRAKE, assembly, consisting of	4	RG 3346	1	
Clip, cable		GB 20378	1	⊕
Handle		RG 3343	1	⊕

GROUP J7. (Continued overleaf)

GROUP J7. HAND BRAKE STRAIGHT PULL TYPE (RC) ONLY (Continued)

HANDERAKE, assembly, consisting of (Continued)

Nut, push rod		RG 21766	1	•
Pad, spring, anti-rattle		GB 34871	1	•
Pawl		RG 7111	1	
Piece, distance, inner centre bracket		GB 34874	1	•
Piece, distance, inner cable clip		GB 34870	1	•
Pin, pawl pivot		RG 7113	1	
Pin, trigger pivot	8	RG 3340		
Release, pawl		GB 21843	1	•
Rod, push trigger		GB 39874	1	•
Screw, outer stop		210.B.S.2	1	•
Sleeve, outer		GB 34867	1	•
Spring, fork, pawl actuating		RG 7110	1	
Spring, coil pawl		RG 7114	1	
Spring, coil trigger, return		GB 18983	1	•
Stop, outer		RG 7112	1	
Trigger		RG 3344	1	
Washer, spring, outer stop		40.B.S.49	1	•
LEVER, assembly, consisting of		RG 3449	1	J
Lever		RG 3450	1	
Rivet		KB 1966	2	
Stay		RG 3451	1	
LEVER, assembly, consisting of		RG 3476	1	H
Lever		RG 3450	1	
Rivet		KB 1966	2	
Stay		RG 3451	1	
LINK, pull off spring	6	RG 3446	1	
NUT, half, .250" dia., cable clip	X.24	K 4310/Z	1	
NUT, half, .250" dia., retaining clip	X.24	K 4310/Z	2	
PIECE, distance outer, retaining bolt	7	RG 3486		B
PIN, swivel	9	RG 4410	1	
PLATE, cover, dashboard	10	RG 3400	1	
SEAL, rubber, dashboard	11	RG 3485	1	
SPRING, pull off	12	RG 3477	1	
WASHER, spring, .250" dia., cable clip	X.87	K 9008/Z	1	
WASHER, spring, .250" dia., retaining bolt	X.87	K 9008/Z	2	

NOTE:- • Indicates Girling piece number.

GROUP J7A. HAND BRAKE TWIST PULL TYPE (LC) ONLY

Comprising

CABLE, assembly	1	RG 6012	1	
CLIP, rod to reverse lever	2	RG 6103	1	
COVER		RG 5997	1	Q
COVER	3	RE 10662	1	R
HANDLE, assembly, with rod	4	RG 6098	1	

GROUP J7A. (Continued overleaf)

GROUP J7A. HAND BRAKE TWIST PULL TYPE (LC) ONLY (Continued)			
LEVER, 1st relay assembly	5	RG 6007	1
LEVER, reversing, assembly with 1 off bush RG.5015 (.3175" dia.) on later models	6	RG 5016	1
LEVER, reversing assembly with 1 off bush RG.7091 (.4062" dia.)		RG 7135	1
LINK, 1st relay lever spring	7	RG 6025	1
NUT, 2 BA, cover to stay and cover	X.24	K 4307/Z	3
NUT, .250" dia., clamps and dashboard	X.24	K 4310/Z	8
NUT, pivot, reversing, lever (where RG.7091 bush is used)		K 4313/Z	1
PAWL	8	RG 5723	2
PIECE, distance pawl spring (where RG.7091 bush is used)	9	RG 5303	1
PIN, 1st relay lever	10	RG 4410	1
PIN, fulcrum, (when RG.5015 bush is used)	11	RG 4406	1
PIN, fulcrum, (when RG.7091 bush is used)		K 310/Z	1
PIN, pawl	12	RG 5325	1
PIN, rod clip	13	RG 6124	1
PIN, rod to reversing lever	14	RG 5327	1
PIN, split, rod and fulcrum jaws (when RG.5015 bush is used)	X.31	K 4643/Z	5
PIN, split, rod and fulcrum jaws (when RG 7091 bush is used)	X.31	K 4643/Z	4
PLATE, cover	15	RG 5326	1
RING, rubber	16	RG 5328	1
RIVET, spring, stop	17	RG 6102	1
SCREW, pawl spring		KC 106/Z	1
SCREW, stay to dashboard	X.55	KC 903/Z	1
SEATING, spherical assembly, consisting of	18	RG 6023	1
Seating		RG 5996	1
Stud, .250" dia., clamp		KB 356/Z	4
Stud, .250" dia., dashboard		KB 399/Z	4
SLEEVE,	19	RG 5323	1
SPRING, pawl	20	RG 6208	1
SPRING, return	21	RG 6101	1
SPRING, 1st relay lever	22	GB 5097	1
STAY	23	RG 5998	1
STAY	24	RG 5999	1
TUBE, assembly, consisting of	25	RG 6003	1
Cover, end		RG 5321	1
Cover, twist pull hand brake		RG 5997	1
Nut, 3 BA, end cover		K 4304/Z	4
Ring, clamping		RG 6000	1
Rivet		KB 2565	3
Stud, 2 BA, end cover to stay		KB 299/Z	1
Stud, 3 BA, end cover to stay		KB 249/Z	4
Tube, cover		RG 6002	1
Washer, F.S., 3 BA, end cover		K 9005/Z	4

GROUP J7A (Continued overleaf)

GROUP J7A. HAND BRAKE TWIST PULL TYPE (LC) ONLY (Continued)

TUBE, assembly, consisting of		RE 10660	1	R
Cover, end		RE 10661	1	
Cover, tube		RG 6002	1	
Ring, clamping		RG 6000	1	
Rivet, .1875" dia.		KB 2565	3	
Stud, 2 BA, end cover to stay		KB 299/Z	1	
Stud, 2 BA, cover to end cover		KB 252/Z	2	
Washer, FS, end cover to cover		K 9006/Z	2	
WASHER, plain, fulcrum pin	X.85	K 4110/N	1	
WASHER, plain, pin clip	X.85	K 4001/Z	1	
WASHER, plain, dashboard	X.85	K 4407/Z	1	
WASHER, spring, 2 BA	X.87	K 9006/Z	2	
WASHER, spring, .312" dia.	X.87	K 9008/Z	9	
WASHER, spring, .312" dia., reversing lever fulcrum (when bush RC.7091 is used)				

GROUP J8. HYDRAULIC FITTINGS

Comprising

BOLT, 2 BA, steady bracket upper (where fitted)	X. 9	K 103/Z	1	
BOLT, 2 BA, steady bracket lower (where fitted)	X. 9	K 130/Z	1	
BOLT, .250" dia., pipe clips (5 or 6) bracket (5)	X.10	K 203/Z	11	
BOLT, .250" dia., link anchorage	X.10	K 216/Z	1	
BOLT, .312" dia., cylinder retaining and upper fulcrum	X.11	K 324/Z	5	
BRACKET, cylinder to frame inner assembly, consisting of	1	RG 3633A	1	
Bracket		RG 3633	1	
Rivet		KB 1962	2	
Stay		GB 5003	1	
BRACKET, cylinder to frame (LC)		RG 5720	1	
BRACKET, cylinder to frame, outer (RC)	2	RG 4202	1	
BRACKET, hose, inner	3	RG 3294	2	
BRACKET, hose, outer	4	RG 3293	2	
BRACKET, tee piece, steel pipe	5	RG 3267	1	
BRACKET, steady, brake rod, Servo to inter lever (where fitted)	6	RG 4203	1	
BUSH, link bolt	7	RG 3237	1	
BUSH, long, upper fulcrum	8	GB 5093	1	
BUSH, steady bracket (where fitted)	9	RG 4204	2	
CLIP, pipe to frame (.250" dia.)	10	RG 3292	5	
CONNECTION, outlet, master cylinder	11	RG 7102	1	
CYLINDER, master assembly, including	12	RG 5782	1	
Jaw		RG 3144	1	
Nut		GB 5096	1	
GASKET, copper outlet connection and brake expander	13	RG 5779	3	

GROUP J8. (Continued overleaf)

GROUP J8. HYDRAULIC FITTINGS (Continued)

HOSE, assembly, with connection	14	RG 6988	2	
LEVER, balance assembly, consisting of	15	RG 3277	1	S
Bolt, inner lever retaining		RG 4418	1	
Bush, lower bolted		RG 3235	1	
Bush, upper rivetted		RG 3236	1	
Lever, inner 3.00 centres		RG 6035	1	
Lever, outer		RG 3233	2	
Nut, half, .375" dia.		K 4316/Z	1	
LEVER, balance assembly, as above except		RG 4401	1	T
Lever, inner 2.4 centres		RG 3461	1	
LEVER, balance, assembly, as above except		RG 6486	1	G
Lever, inner 2.8 centres		RG 6034	1	
LINK, pull off spring	16	RG 3145	2	
NUT, half, steady bracket (where fitted)	X.24	K 4307/Z	2	
NUT, half, .250" dia., bracket to frame bolt (5) lower fulcrum (1) pipe clips (5 or 6)	X.24	K 4310/Z	12	
NUT, half, .312" dia., cylinder and upper fulcrum bolts	X.24	K 4313/Z	5	
NUT, hose connection retaining	17	RG 7103	2	
PIECE, distance, link bolt	18	RG 3234	2	
PIECE, distance, upper fulcrum	19	GB 5095	2	
PIECE, tee, steel pipes	20	RE 5781	1	
PIN, plain, front cylinder jaw	21	RG 4408	1	
PIN, plain, rear cylinder jaw	22	RG 3143	1	
PIN, split, .062" dia., jaw, rear pin	X.31	K 4603/Z	2	
PIN, split, .125" dia., jaw, front pin	X.31	K 4643/Z	1	
PIPE, master cylinder to tee piece, assembly with gland nuts	23	RG 7013A	1	
PIPE, tee piece, to L.H. bracket assembly with gland nuts	24	RG 3297A	1	
PIPE, tee piece, to R.H. bracket assembly with gland nuts	25	RG 3296A	1	
SCREW, tee piece bracket	X.56	KC 321/Z	1	
SPRING, pull off	26	GB 5097	1	
WASHER, spring, hose connection	27	K 19411	2	e
WASHER, plain, 2 BA, steady bracket (where fitted)	X.85	K 4404/Z	2	
WASHER, spring, 2 BA, steady bracket (where fitted)	X.87	K 9006/Z	2	
WASHER, spring, .250" dia., bracket to frame (5) link (1) pipe clips (5 or 6)	X.87	K 9008/Z	12	
WASHER, spring, .312" dia., cylinder (5) tee piece bracket (1)	X.87	K 9009/Z	6	

NOTE:- e Indicates lockheed piece number.

GROUP J9. MOTOR SERVO

Comprising

BALL, .3125" dia., between levers	1	RG 6131	3	A
BALL, .3125" dia., between levers	1	RG 6594	3	A

GROUP J9. (Continued overleaf)

GROUP J9. MOTOR SERVO (Continued)

BEARING, ball, pressure plate assembly with 24 balls, .1875" dia., RG.6209 or RG.6593	2	GB.3898	1	
BEARING, self sealing	3	RG.4450	1	A
BEARING, self sealing		RG.5656	1	A
CAGE, thrust bearing	4	RG.3100	1	
COVER, dust, thrust bearing	5	RG.3939	1	
LEVER, brake actuating	6	GB.5088	2	
LEVER, cam, 30°, inner assembly, consisting of	7	GB.4985A	1	J
Bush		GB.3546	1	
Lever		GB.4985	1	
Sleeve		GB.3545	1	
LEVER, cam, 25°, inner assembly, as above except		RG.5369A	1	W
Lever		RG.5369	1	
LEVER, cam, 22½°, inner assembly, as above except		RG.4859A	1	X
Lever		RG.4859	1	
LEVER, cam, 35°, inner assembly, as above except		RG.5366A	1	●
Lever		RG.5366	1	
LEVER, cam, outer 30° cam		GB.4986	1	J
LEVER, cam, outer 22½° cam		RG.4858	1	X
LEVER, cam, outer 35° cam		RG.5367	1	●
LEVER, cam, outer 25° cam		RG.5368	1	W
NUT, half, .625" dia., shaft	X.24	K.4328/Z	2	
PLATE, driving, assembly, consisting of	9	RG.7151	1	
Plate, backing		RG.4221	1	
Ring, inertia		RG.4767	1	
Rivet, .0937" dia.		KB.13125	9	
Washer, adjusting, .003 thick		RG.7148		B
Washer, adjusting, .005 thick		RG.7149		B
Washer, Bellville		RG.4220	1	
Plate, and linings, sub-assembly, consisting of		RG.7152	1	
Lining or		RG.3904	1	A
Lining		RG.7372	1	A
Plate, spring		RG.3905	9	
Rivet, plate to lining		RG.3916	9	
Rivet, .0937" dia., countersunk		KB.13123	18	
PLATE, pressure assembly, consisting of	10	RG.5708A	1	
Pin, operating		RG.3480	2	
Plate		RG.5708	1	

GROUP J9. (Continued overleaf)

GROUP J9. MOTOR SERVO (Continued)

PLATE, spring assembly, consisting of	11	RG 3316	1
Baffle		RG 3314	1
Drain		RG 3313	1
Plate		RG 3458	1
Rivet, .062" dia., flat head		KB 2352	3
PLATE, thrust	12	GB 3501	1
PROTECTION, spring, plate to pressure plate joint	13	RG 3311	1
RACE, outer, pressure plate bearing	14	GB 4061	1
SCREW, long, shaft retaining	15	GB 5117	1
SHAFT, main	16	RG 3317	1
SPRING, protector retaining	17	RG 3312	1
WASHER, actuating, levers	18	GB 5083	1
WASHER, felt, pressure plate bore	19	D 54399	1
WASHER, oil retaining, pressure plate bore	20	GB 4171	1
WASHER, plain, .625" dia., shaft	X.85	K 4425/Z	1
WASHER, sealing, spring plate	21	GB 5150	1

NOTE:- * These pieces are fitted only at the direction of the Service Station.

GROUP J10. PEDAL, FOOT BRAKE

Comprising

BOLT, .312" dia., pedal holder to pedal lever	X.11	K 309/Z	1
BUSH, floating, pedal lever (RC)	1	FB 3396	2
For BUSH on (LC), see Group F4			
COLLAR, pedal return spring anchor (RC)		KB 1179/Z	1
CUP, anti-fume seal	2	RF 8328	1
HOLDER, pedal upward stop (where fitted) (RC)		FB 4455	1
LEVER, pedal assembly with (RC)	3	RF 6690	1
Lever, operating		RF 6688	1
Lever, pedal		RF 6687	1
Pin, return spring, anchor		FB 3751	1
LEVER, pedal (LC)	4	RF 6334	1
LINK, pedal lever spring (LC)	5	RF 6336	1
NUT, full, .312" dia., pedal holder to pedal lever	X.21	K 4009/Z	1
NUT, half, 3 BA, anti-fume seal retaining bolt	X.24	K 4304/Z	2
NUT, half, .500" dia., pedal shaft retaining (RC)	X.24	K 4322/X	2
For .500" dia., NUT, shaft retaining (LC) See Group F4			
NUT, lock, 2 BA, spherical headed screw (RC)	X.24	K 4307/Z	1
PEDAL, assembly, consisting of	6	RF 5198	1
Holder		RF 5197	1
Pad, rubber		RF 4281	1
Plate		FB 3769	1
PIECE, distance, anti-fume seal	7	F 61520	2
PIN, split, .062" dia., pedal return spring anchor (RC)		K 4602/Z	1

GROUP J10. (Continued overleaf)

GROUP J10. PEDAL, FOOT BRAKE (Continued)

RETAINER, anti-fume seal	8	F 61548	1
SCREW, cheese head, 3 BA		K 1816/Z	2
SCREW, 2 BA, spherical headed screw (RC)	9	FB 766	1
SHAFT, pedal (RC)	10	FB 3759	1
SHAFT, pedal (LC) see Group F4.			
SPRING, anti-fume seal	11	F 60920	1
SPRING, pedal return (RC)	12	FB 342	1
SPRING, pedal return (LC)	13	RG 3447	1
STOP, pedal upward (where fitted) (RC)		FB 4457	1
WASHER, felt, anti-fume seal		FB 472	1
WASHER, plain, felt retaining screw	15	K 4446/Z	2
WASHER, plain, pedal shaft	16	FP 4623	2
WASHER, rubber pedal lever (RC)	17	FB 3750	2
WASHER, rubber pedal lever (LC)		RF 6408	2
WASHER, spring, 3 BA, anti-fume seal		K 9005/Z	2
WASHER, spring, .312" dia., pedal holder	X.87	K 9009/Z	1

GROUP J11. RODS AND RELAYS (RC)

Comprising

BAR, steady, rear equaliser	1	RG 3551	1
BOLT, bracket and lock plate	X.10	K 241	5
BRACKET, intermediate shaft	2	RG 3584	1
BUSH, equaliser lever	3	GW 971	2
COVER, pivot pin	4	GW 1457	1
JAW, .312" dia., servo cam lever	X.17	KB 1110/Z	2
JAW, .312" dia., (RC)	X.17	KB 1112	8
LEVER, equaliser	5	RG 3184	1
LEVER, long, intermediate shaft	6	RG 3589	2
LEVER, short, intermediate shaft	7	RG 3588	1
LEVER, short, intermediate shaft		RG 5359	1
LINK, bracket to servo	8	GB 5087	1
NUT, castellated, .312" dia., pivot pin	X.20	KB 3583/Z	1
NUT, half, .250" dia., intermediate bracket	X.24	K 4310/Z	5
NUT, half, .312" dia., jaws	X.24	K 4313/Z	5
NUT, half, .437" dia., pivot pin	X.24	K 4319/Z	1
PIECE, distance, steady bar	9	RG 3557	1
PIN, bearing	10	RG 4408	9
PIN, bearing, with recess link	11	GB 5086	2
PIN, bearing, servo cam	X.29	K 6604/Z	2
PIN, pivot, equaliser	12	RG 3558	1
PIN, split, .062" dia., pivot pin	X.31	K 4602/Z	1
PIN, split, .125" dia., bearings	X.31	K 4643/Z	11
PIN, support, splined shaft	13	RG 3586	1
PLATE, pin locking, intermediate shaft	14	RG 3585	1
PLATE, pin retaining, servo link	15	GB 5085	2
ROD, intermediate shaft to balance lever	16	RG 3595	1
ROD, intermediate shaft to handbrake	17	RG 3596	1
ROD, intermediate shaft to servo	18	RG 3597	1
ROD, intermediate shaft to equaliser	19	GB 4238	1
ROD, intermediate shaft to equaliser		RG 5523	1
ROD, servo to pedal	20	GB 3216	1
SCREW, 2 BA, servo link	X.54	KC 151/Z	2

GROUP J11. (Continued overleaf)

GROUP J11. RODS AND RELAYS (RC). (Continued)

SHAFT, splined intermediate	21	RG 3587	1	
SPRING, intermediate shaft lever to frame	22	GB 5097	1	
SUPPORT, rubber, equaliser bar		RG 3552	1	AA
SUPPORT, bracket assembly, equaliser bar with	23	RG 5460	1	BB
Shackle assembly		RG 5461	1	
WASHER, felt, lower equaliser	24	GW 447	1	
WASHER, felt, upper equaliser	25	RG 3183	1	
WASHER, Grover, .437" dia., pivot pin	X.81	K 4511/Z	1	
WASHER, plain, equaliser bar	26	RG 3556	2	
WASHER, plain, pivot pin	X.85	K 4410/Z	1	
WASHER, plain, pivot pin upper	27	RG 3186	1	
WASHER, spring, 2 BA, servo link	X.87	K 9006/Z	2	
WASHER, spring, .250" dia., intermediate shaft	X.87	K 9008/Z	5	

GROUP J11A. RODS AND RELAYS (LC)

Comprising

BAR, steady, rear equaliser	1	RG 3551	1	
BOLT, bracket and lock plate	X.10	K 241/Z	9	
BRACKET, intermediate shaft	2	RG 3584	1	
BRACKET, 2nd relay lever	3	RG 6005	1	
BUSH, equaliser lever	4	GW 971	2	
COVER, pivot pin	5	GW 1457	1	
JAW, .312" dia., servo cam lever	X.17	KB 1110/Z	2	
JAW, .312" dia., relay lever	X.17	KB 1112/Z	14	
LEVER, equaliser	6	RG 3184	1	
LEVER, long, intermediate, shaft	7	RG 3589	2	
LEVER, short, intermediate, shaft	8	RG 5359	1	
LEVER, bellcrank, L.H.	9	RG 5716	1	
LEVER, bellcrank, R.H.	10	RG 5717	1	
LEVER, 2nd relay	11	RG 6004	1	
LINK, bracket to servo	12	GB 5087	1	
LINK, pull off spring lever operating long	13	RG 3446	1	
NUT, castellated, .312" dia., pivot pin	X.20	KB 3583/Z	1	
NUT, half, .250" dia., intermediate bracket	X.24	K 4310/Z	5	
NUT, half, .250" dia., relay levers	X.24	K 4310/Z	4	
NUT, half, .312" dia., jaws	X.24	K 4313/Z	8	
NUT, half, .437" dia., pivot pin	A.24	K 4319/Z	1	
PIECE, distance, steady bar	14	RG 3557	1	
PIN, 2nd relay lever, bellcrank lever	X.28	K 6622/Z	2	
PIN, bearing	15	RG 4408	14	
PIN, jaw	16	RG 4405	1	
PIN, bearing, with recess link	17	GB 5086	2	
PIN, bearing, servo cam	X.29	K 6604/Z	2	
PIN, bellcrank lever, R.H.	18	RG 5715	1	
PIN, pivot, equaliser	19	RG 3558	1	
PIN, split, .062" dia., pivot pin	X.31	K 4602/Z	1	
PIN, split, .125" dia., bearings	X.31	K 4643/Z	17	
PIN, support, splined shaft	20	RG 3586	1	
PLATE, pin, locking intermediate shaft	21	RG 3585	1	
PLATE, pin, retaining servo link	22	GB 5085	2	

GROUP J11A. (Continued overleaf)

GROUP J11A. RODS AND RELAYS (LC) (Continued)

ROD, 2nd relay to brake lever	23	RG 6006	1	
ROD, 1st to 2nd relays	24	RG 6011	1	
ROD, intermediate shaft to balance lever	25	RG 3595	1	
ROD, intermediate shaft to equaliser	26	RG 5523	1	
ROD, push, bellcrank to servo	27	RG 5498	1	
ROD, servo to intermediate levers	28	RG 3597	1	
ROD, tie, bellcrank to pedal	29	RG 5497	1	
ROD, tie, bellcrank	30	RG 5714	1	
SCREW, 2 BA, servo link	X.54	KC 151/Z	2	
SHAFT, splined intermediate	31	RG 3587	1	
SUPPORT, rubber, equaliser bar		RG 3552	1	AA
SUPPORT, bracket assembly, equaliser bar with	32	RG 5460	1	BB
Shackle assembly		RG 5461	1	
WASHER, adjusting, bellcrank lever		K 8807/Z		B
WASHER, felt, lower equaliser	33	GW 447	1	
WASHER, felt, upper equaliser	34	RG 3183	1	
WASHER, Grover, .437" dia., pivot pin	X.81	K 4511/Z	1	
WASHER, plain, equaliser bar	35	RG 3556	2	
WASHER, plain, pivot pin	X.85	K 4410/Z	1	
WASHER, plain, pivot pin upper	36	RG 3186	1	
WASHER, spring, 2 BA, servo link	X.87	K 9006/Z	2	
WASHER, spring, .250" dia., intermediate shaft and relay levers	X.87	K 9008/Z	9	

GROUP J12. SHOE AND LINKAGE (2 sets front and 2 sets rear)

Comprising

NOTE:- Before Chassis No. B-GT front and rear brake shoes were common. Commencing Chassis No. B-GT front and rear brakes are no longer interchangeable.

JAW, push rod, front and rear brakes	1	RG 3457	1	U
JAW, push rod, front and rear brakes		RG 6045	1	V
LEVER, fulcrum assembly with oilite bush GB 4736 1 off	2	RG 3165	1	F
LINK, trailing, shoe to fulcrum	3	RG 3170	1	F
NUT, .312" dia., push rod	X.24	K 4313/Z	1	U
NUT, half, .312" dia., jaw to push rod locking	X.24	K 4010/Z	1	V
PIN, bearing, rod, fulcrum and link	4	RG 6106	4	F
PLATE, locking link	5	RG 3171	1	F
PLATE, locking rod	6	RG 4355	1	F
PUSH, rod	7	RG 3456	1	U
ROD, push		RG 6046	1	V
SCREW, 2 BA, locking plates rod and link	X.54	KC 152/Z	3	F
SHOE, brake assembly, consisting of	8	RG 5353	2	F
Lining		RG 3305	2	
Rivet, countersunk head		RG 6167	12	
Shoe		RG 3160	2	

GROUP J12. (Continued overleaf)

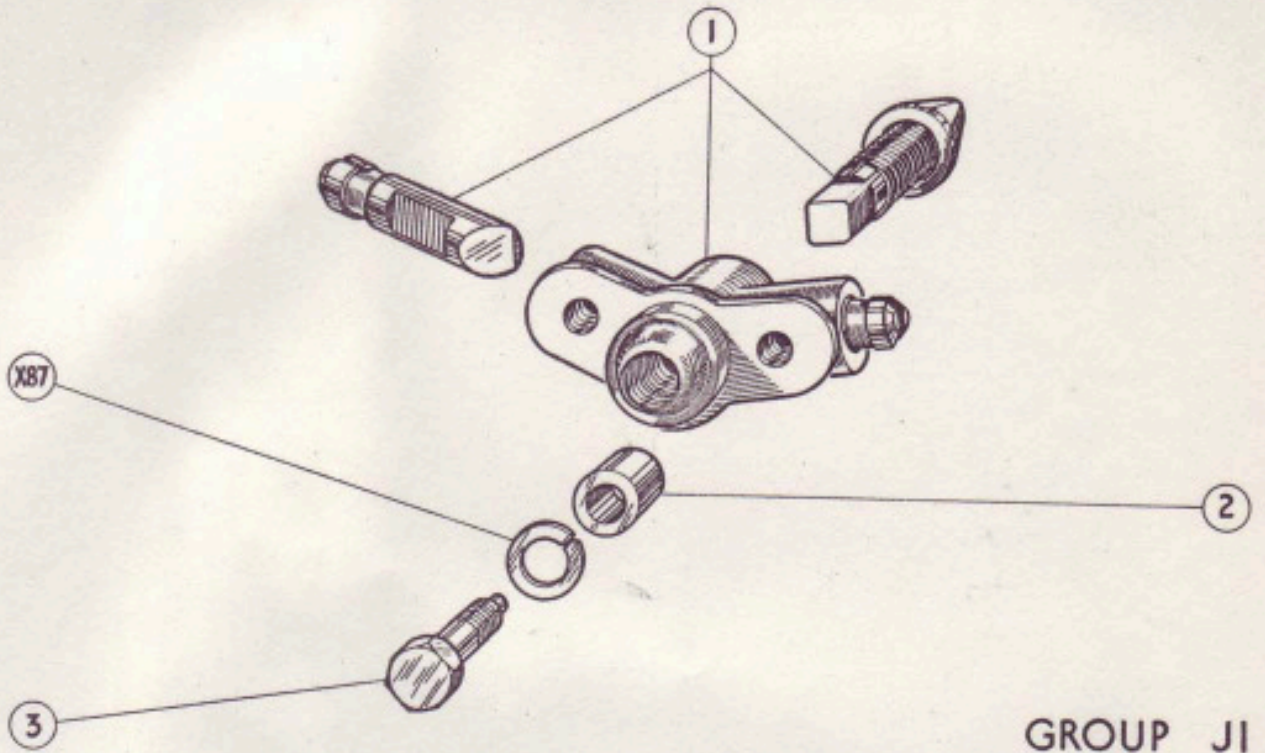
GROUP J12. SHOE AND LINKAGE (Continued)

SPRING, shoe retaining (adjuster side)	9	GB 3808	1	F
SPRING, shoe retaining (expander side)	10	RG 6991	1	F
WASHER, spring, 2 BA, locking plate screw	X.87	K 9006/Z	2	F

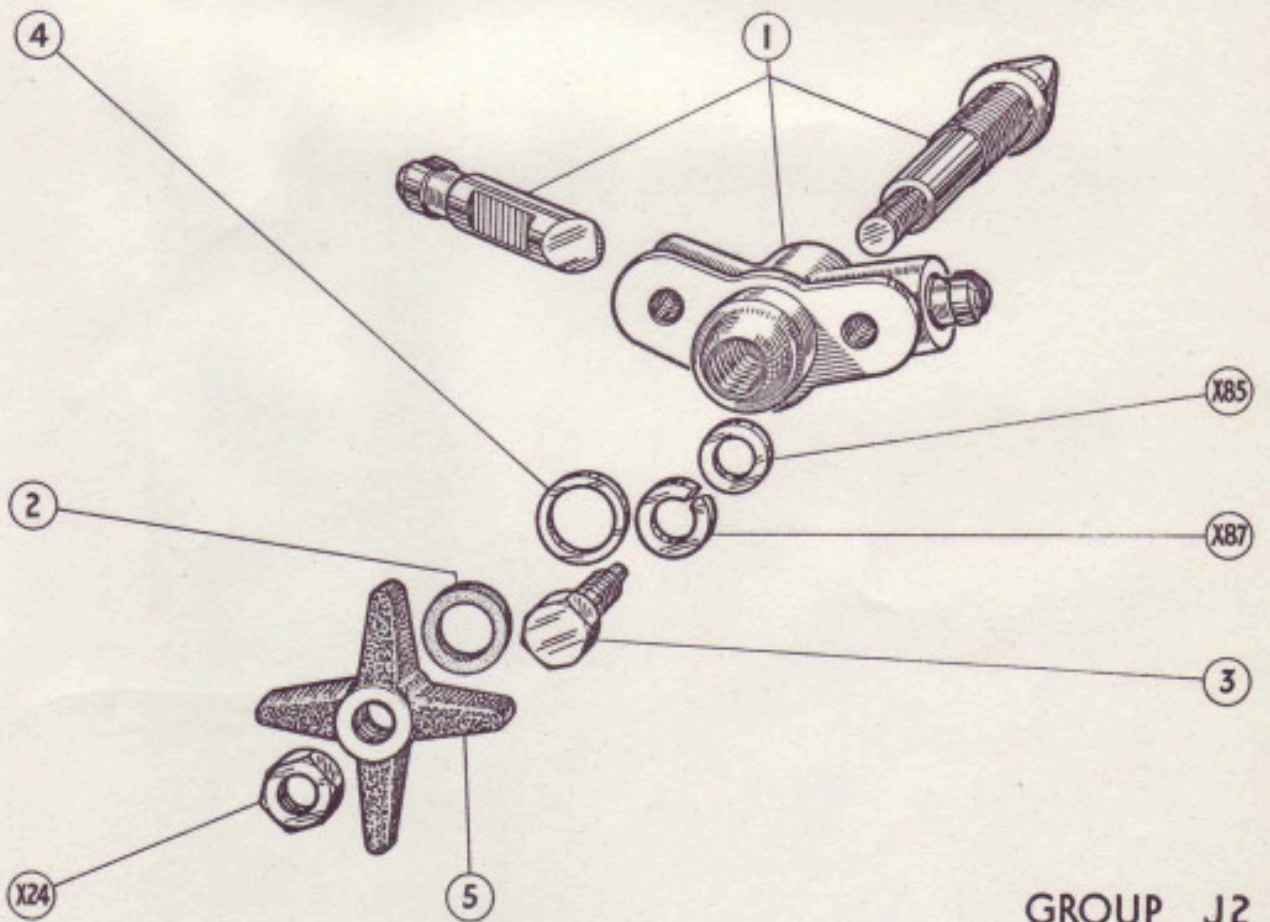
GROUP J12A. FRONT SHOE AND LINKAGE (2 sets per Chassis)

Comprising

JAW, brake shoe push rod	1	RG 3457	1	G
LEVER, pivot, front brake shoes	2	RG 6176	1	G
LINK, pivot, front brake shoes	3	RG 6961	1	G
NUT, setscrew jaw	X.24	K 4313/Z	1	G
PIN, .250" dia., link	X.28	KB 4531/Z	3	G
PIN, split, .062" dia., link	X.31	K 4602/Z	3	G
PIN, split, .093" dia., off stop pin	X.31	K 4607/Z	2	G
PIN, locating jaw	4	RG 6106	1	G
PIN, off stop front brake	5	RG 6172	1	G
PLATE, locking jaw	6	RG 4355	1	G
PLATE, anchor spring front brake	7	RG 6177	1	G
ROD, push	8	RG 6174	1	G
SPRING, pull off, brake shoes	9	RG 5635	1	G
SPRING, lever, brake shoes	10	RG 5637	1	G
SPRING, front brake shoe	11	RG 6175	1	G
SCREW, set, 2 BA, jaws	X.54	KC 152/Z	1	G
SHOE, brake assembly, consisting of	12	RG 6924	2	G
Lining		RG 3305	2	
Rivet		RG 6167	12	
Shoe		RG 6923	2	
WASHER, setscrew jaw		K 9006/Z	1	G

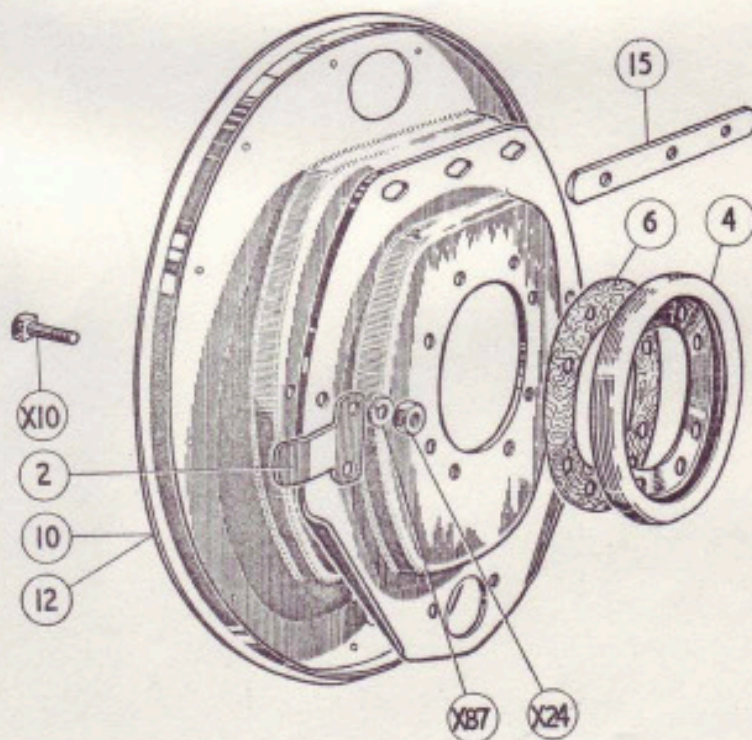
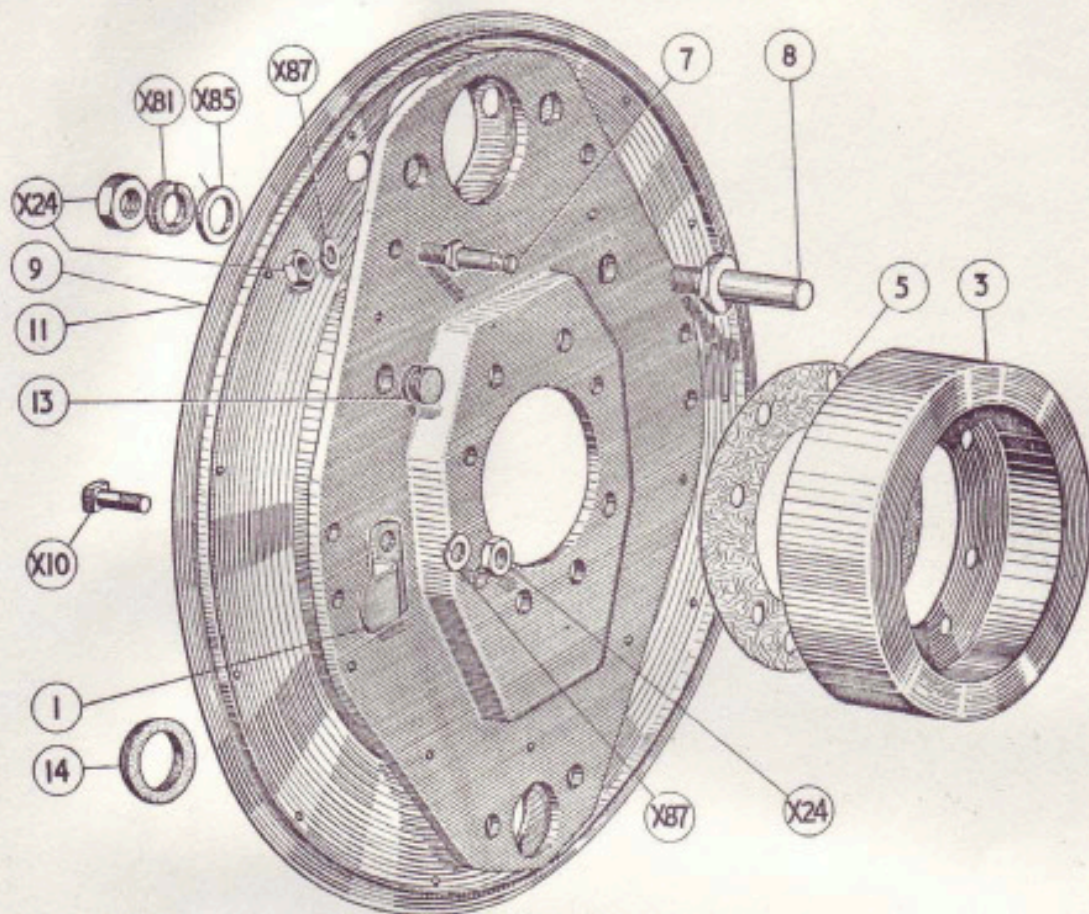


GROUP J1



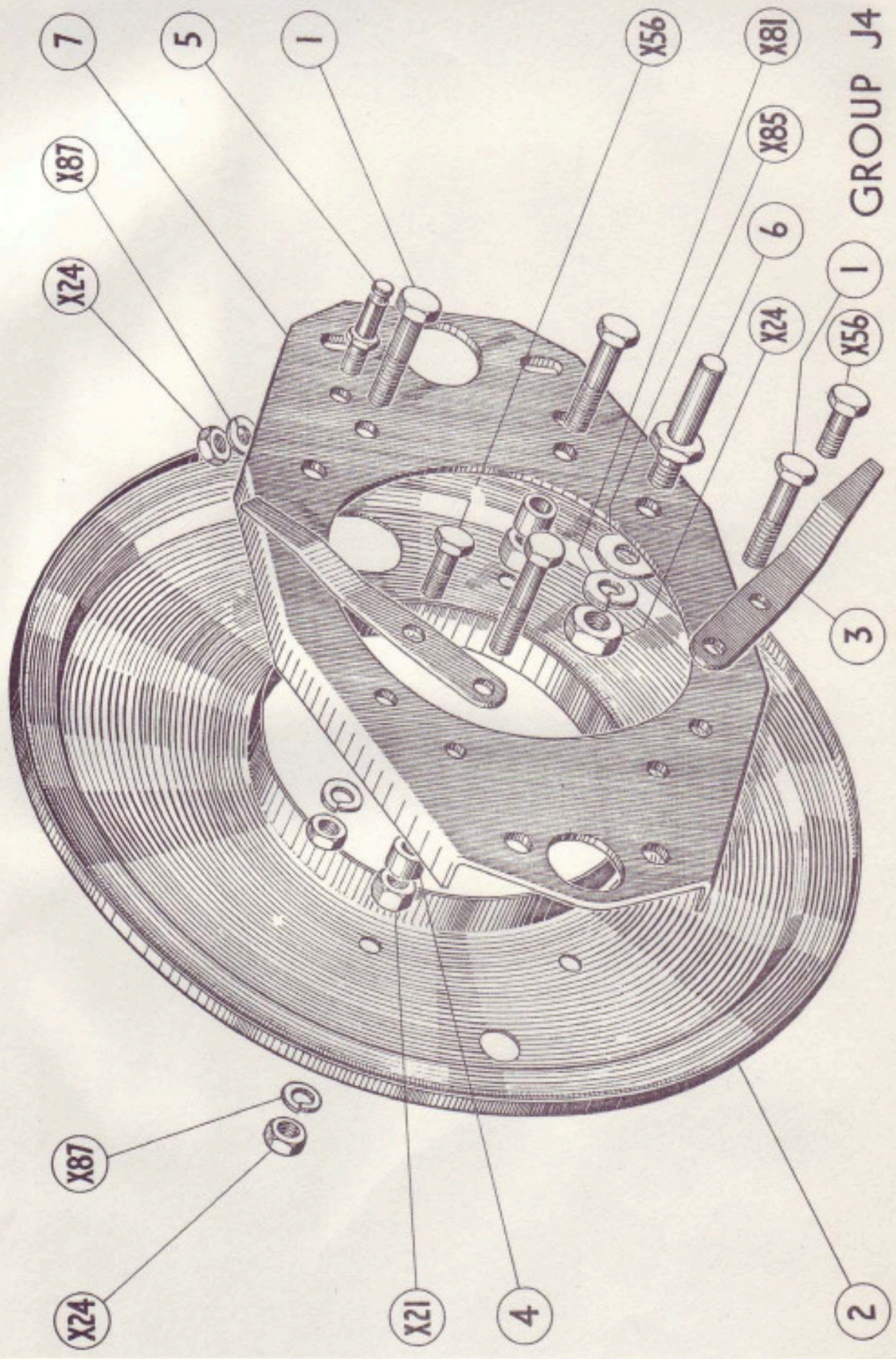
GROUP J2





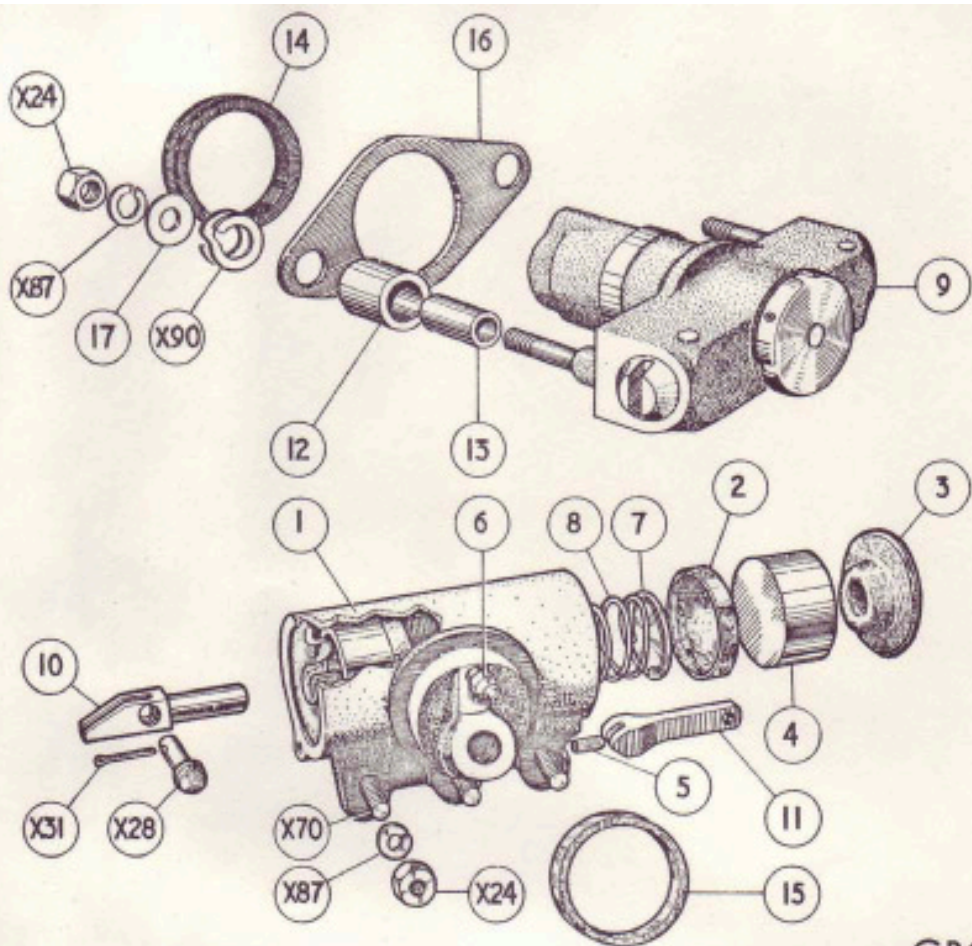
GROUP J3



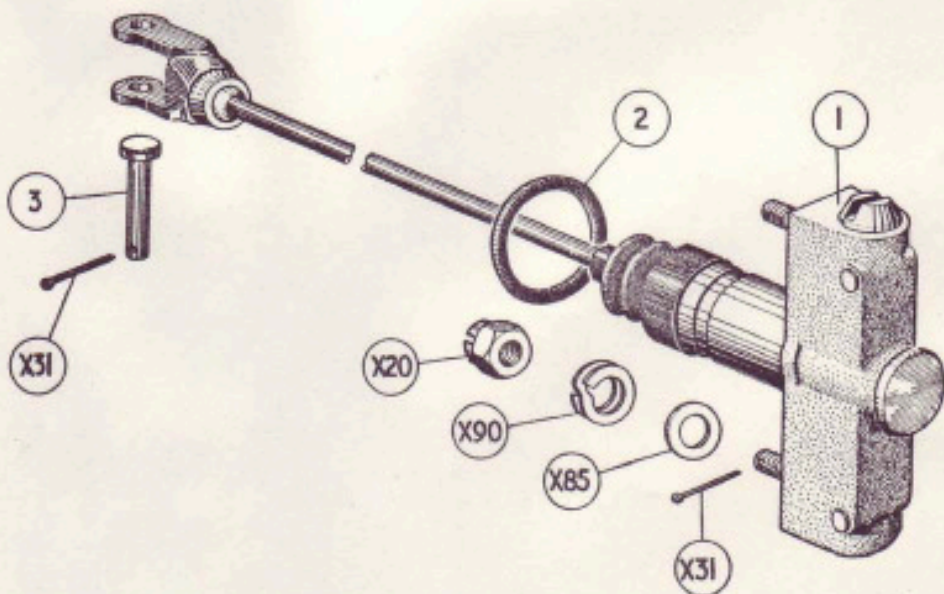


GROUP J4



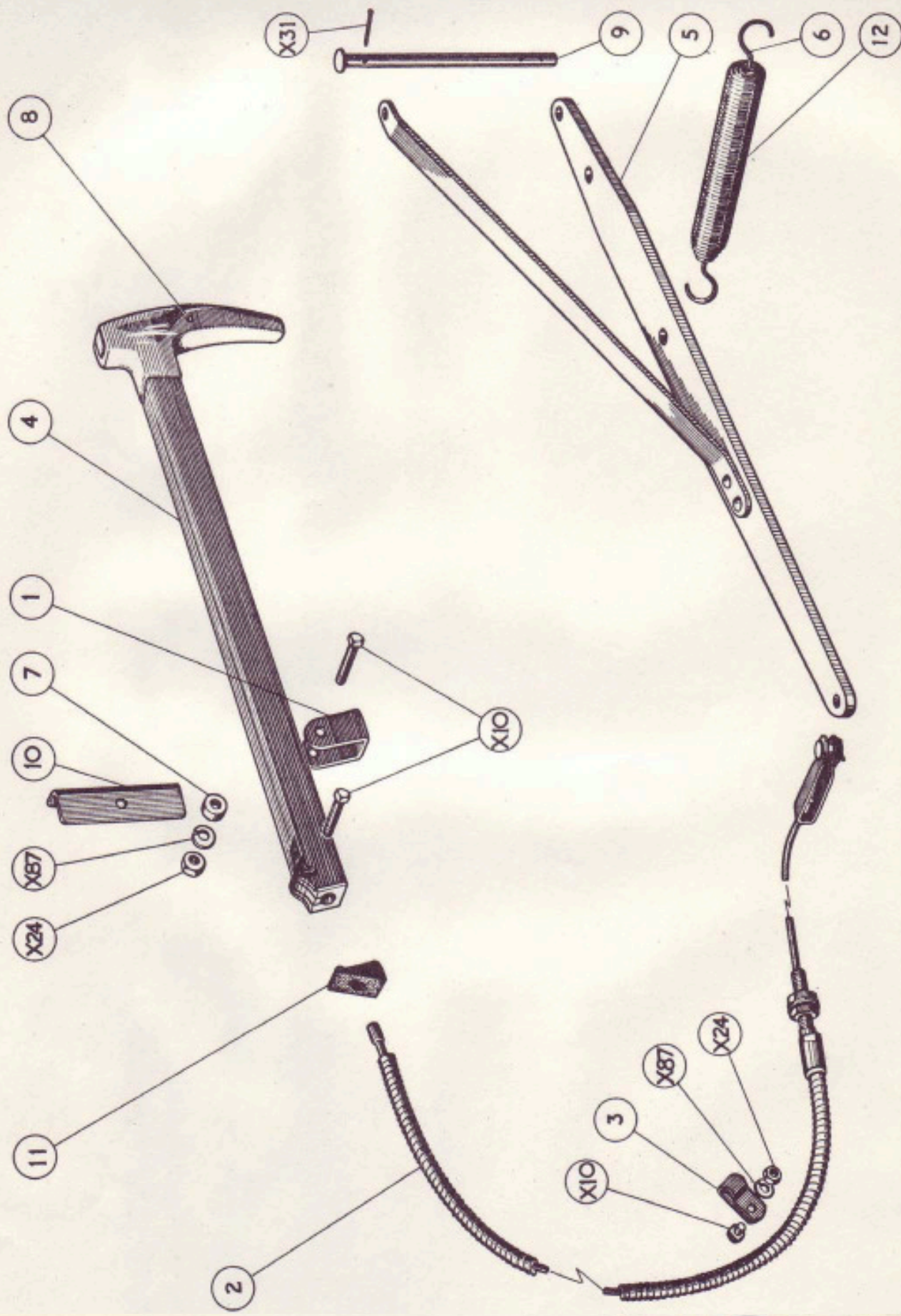


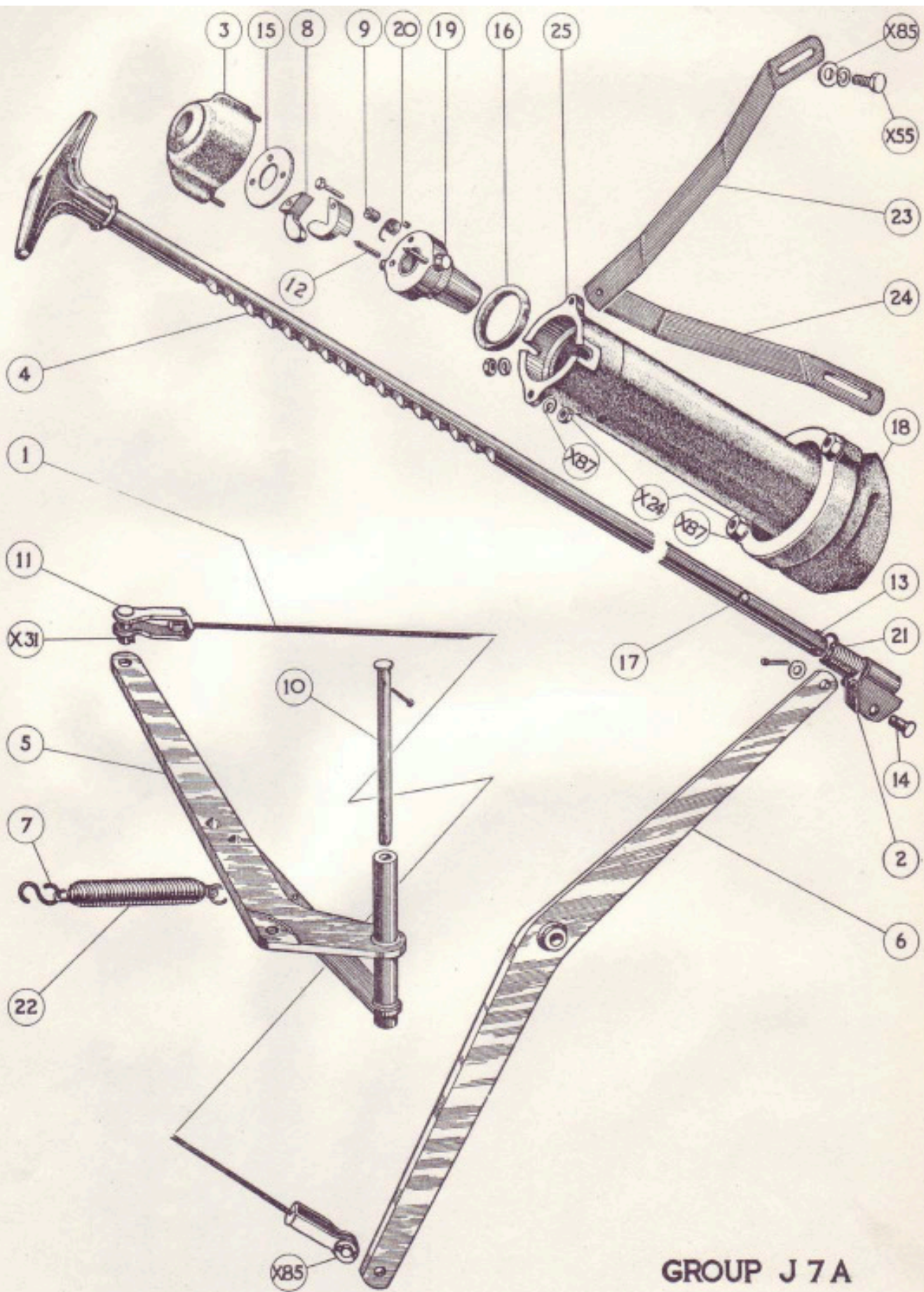
GROUP J5



GROUP J6

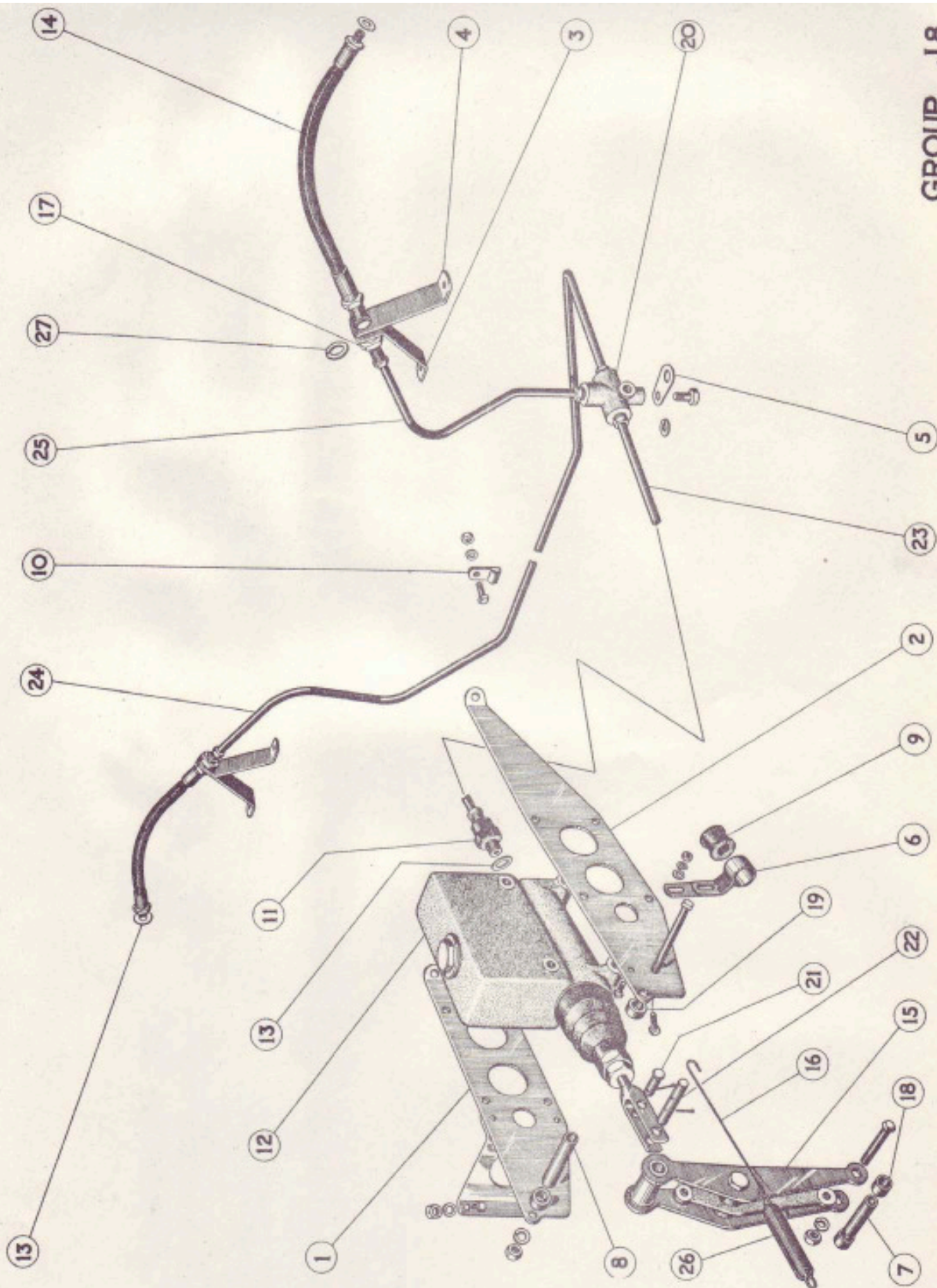




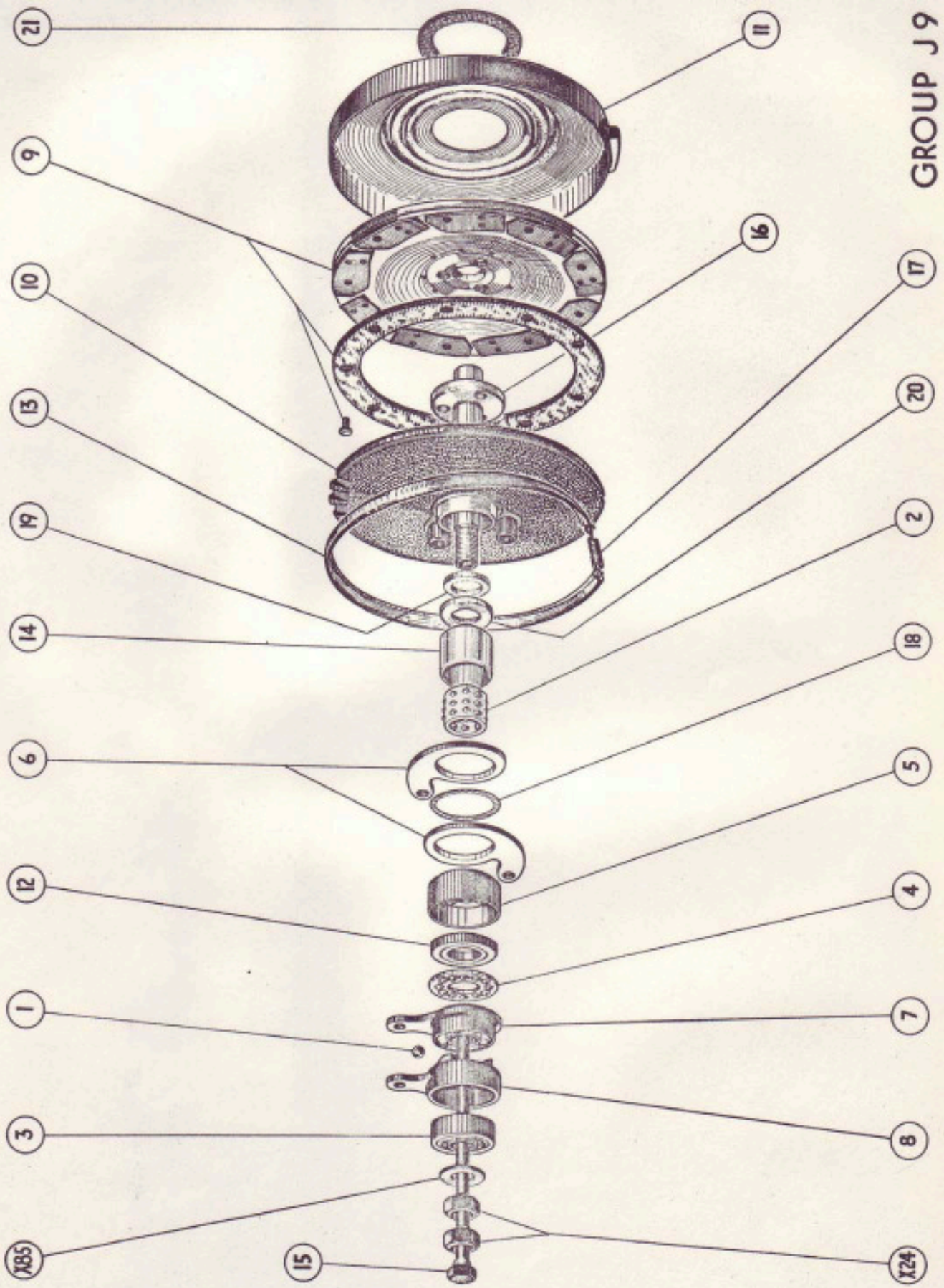


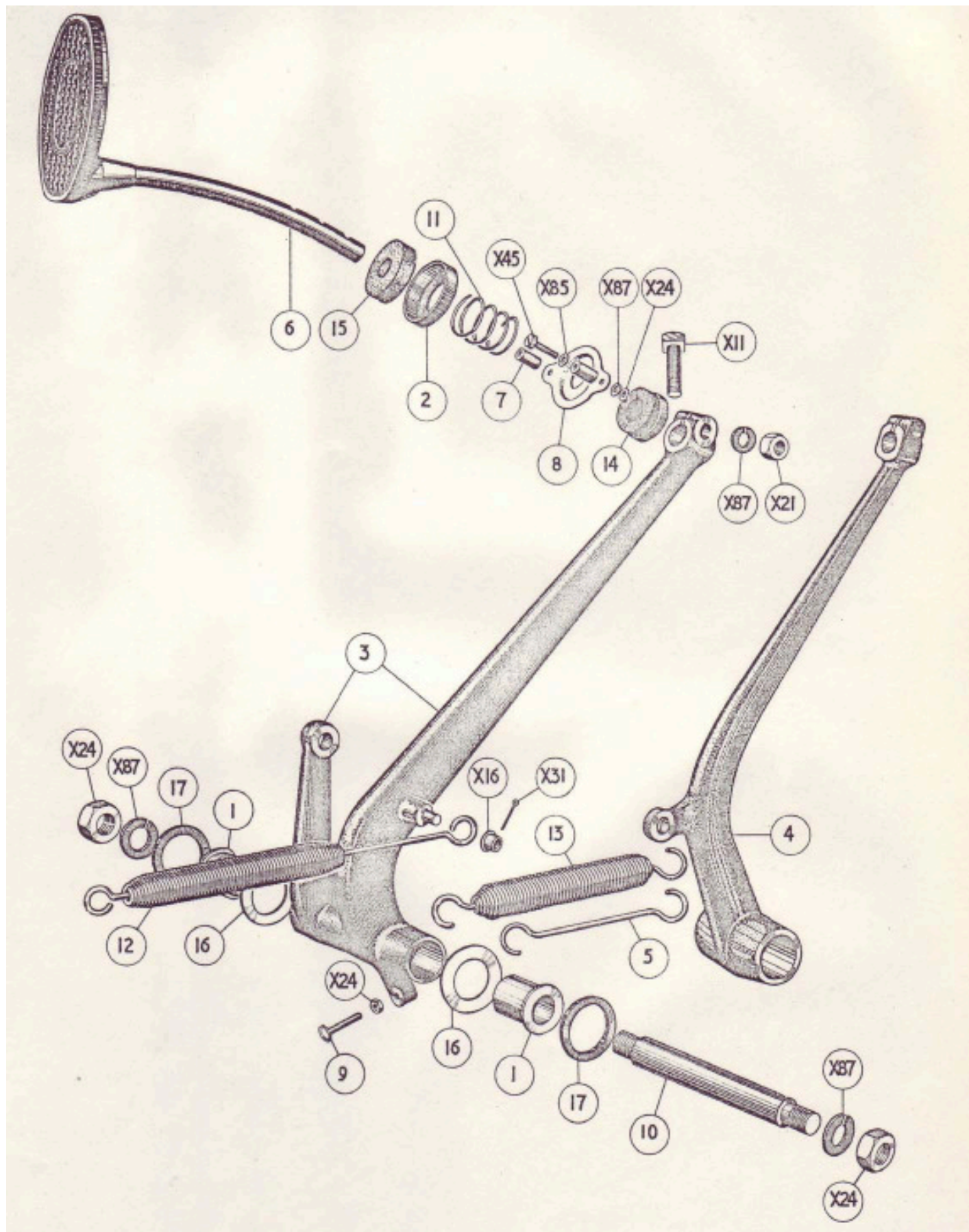
GROUP J 7 A





GROUP J 9

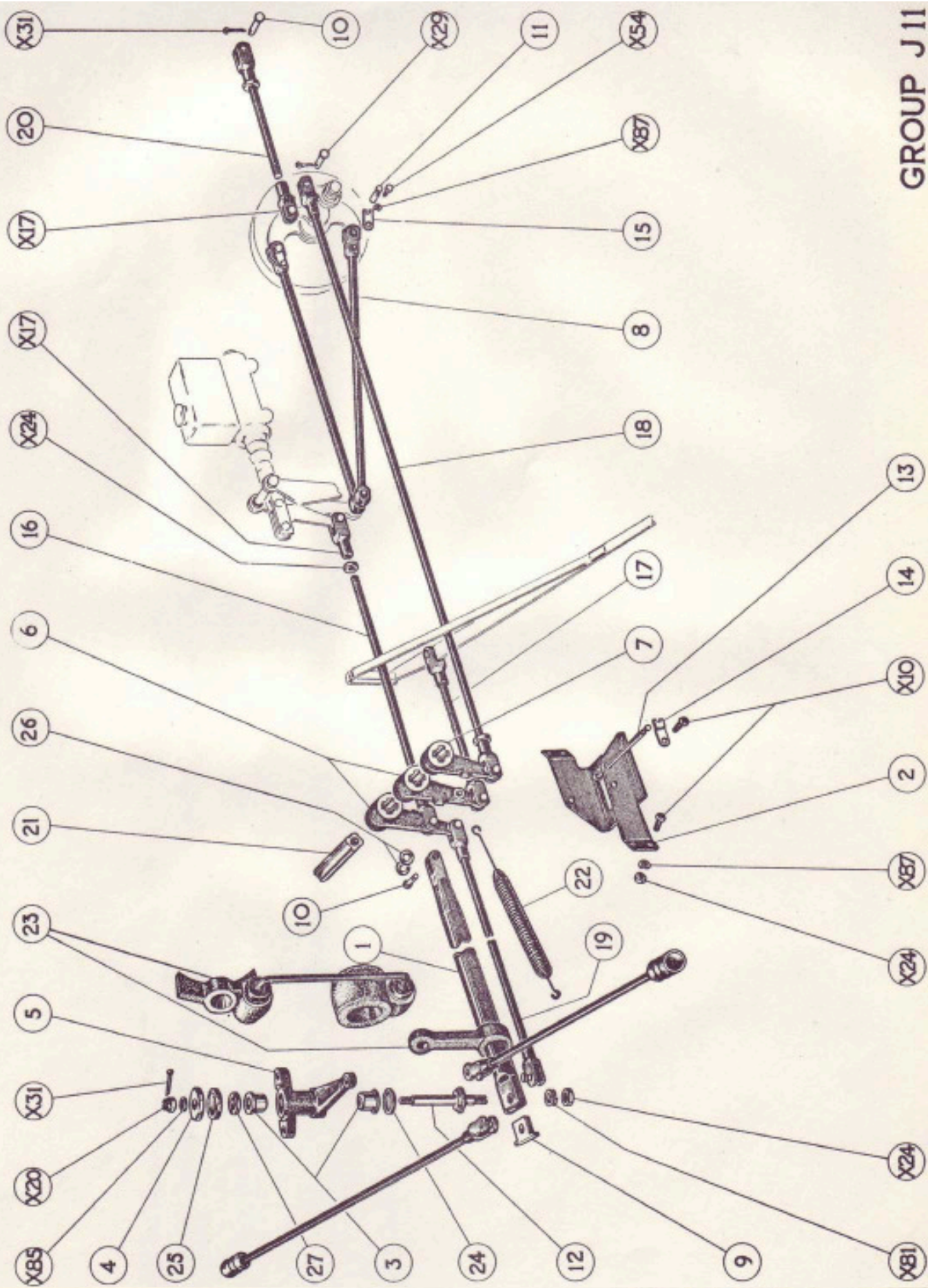


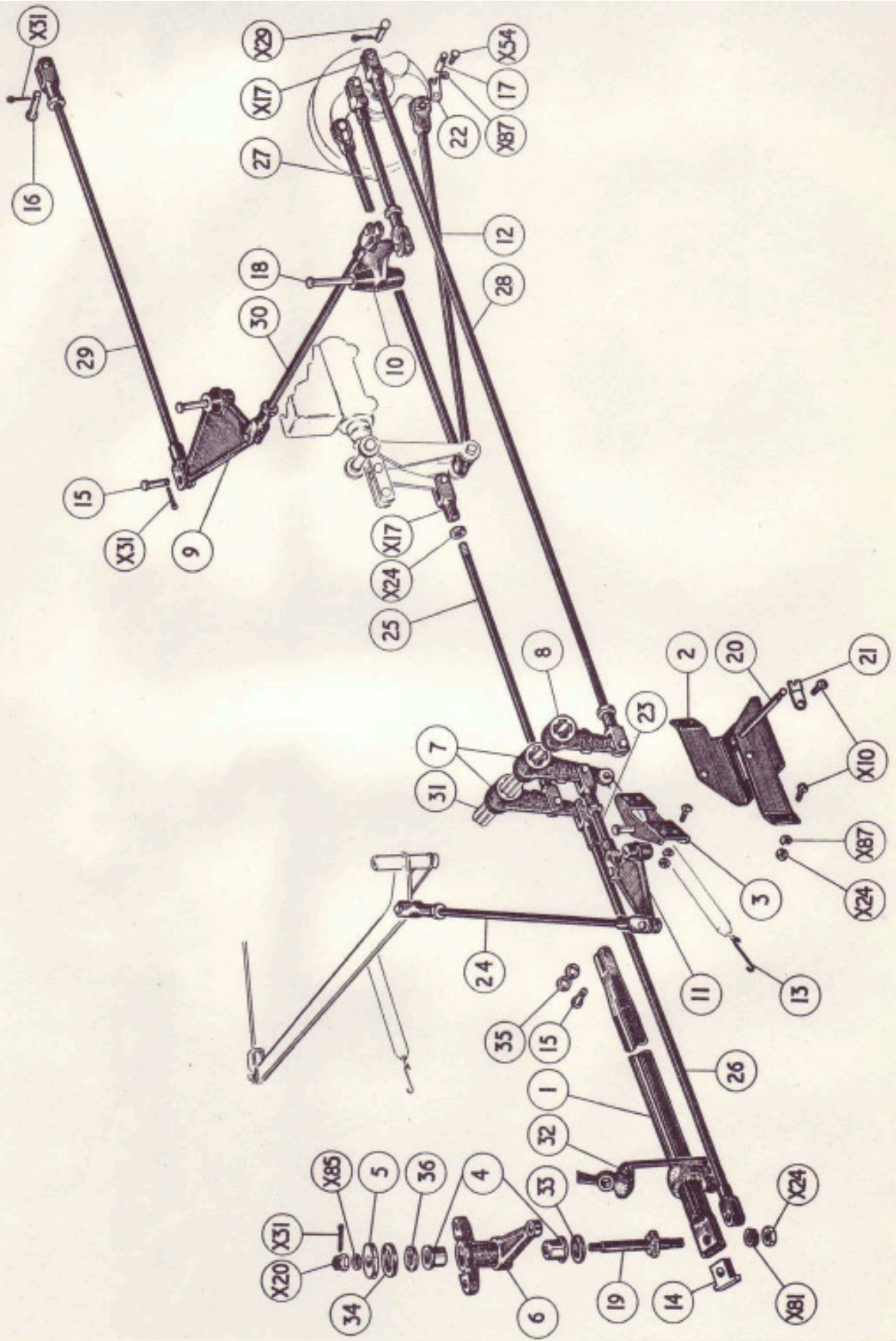


GROUP J10



GROUP J 11

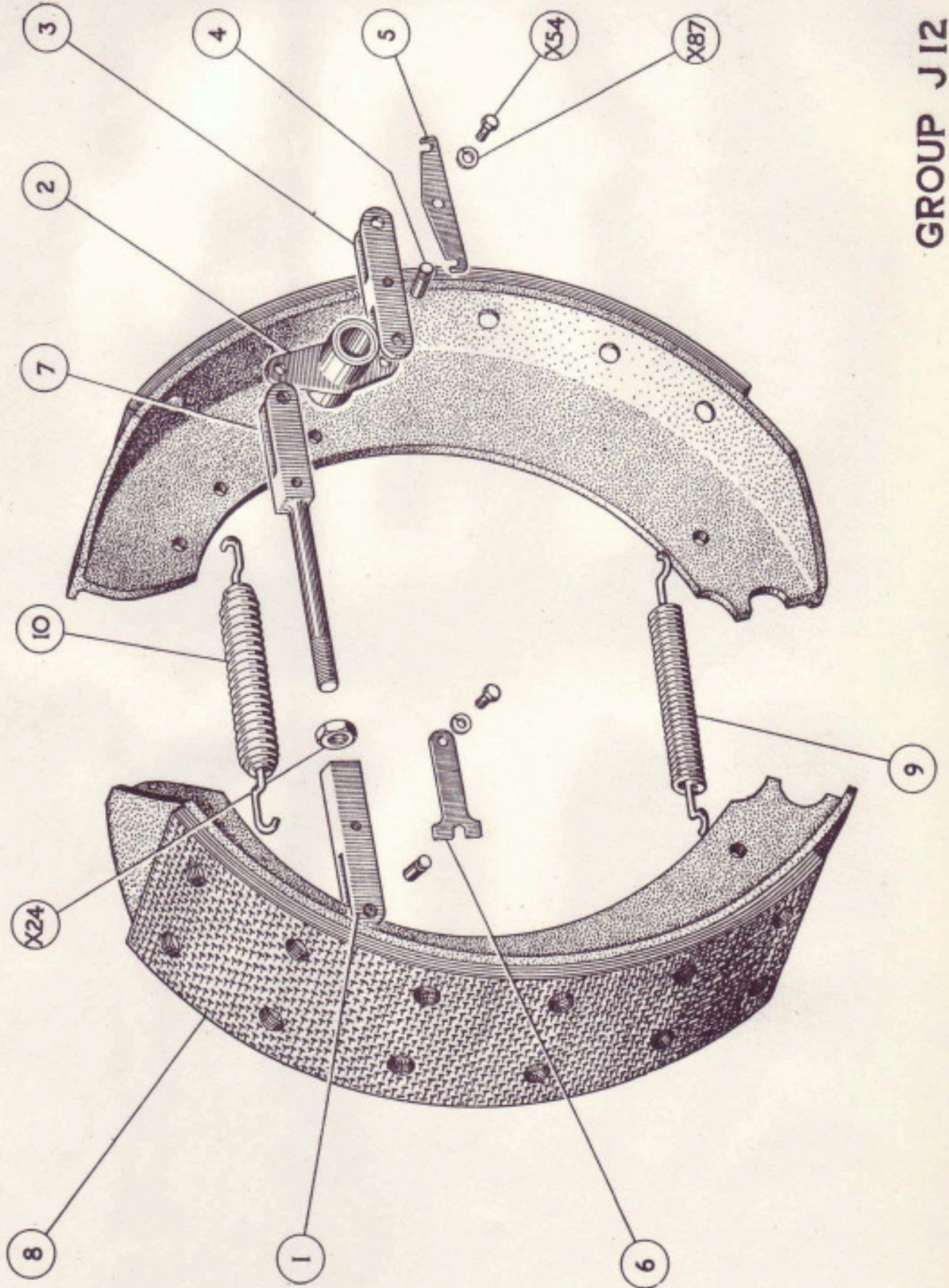


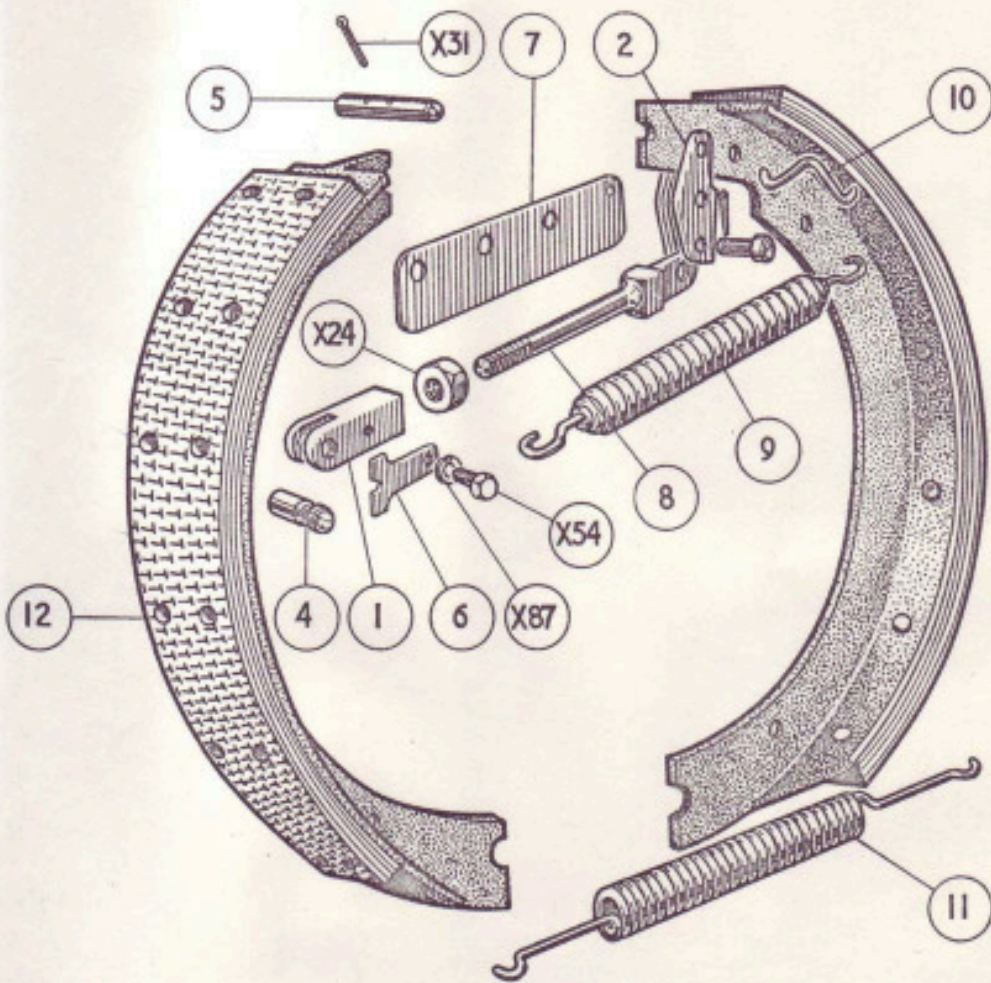


GROUP J11A



GROUP J12





GROUP J12 A

