

BENTLEY MK.VISECTION GG E A R B O X

Containing:-

- GROUP 1. CHANGE SPEED MECHANISM (Side Type)
 1A. CHANGE SPEED MECHANISM (Column Type)
 2. DAMPER CONTROL PUMP & SPEEDOMETER DRIVE
 3. FIRST MOTION SHAFT
 4. GEARBOX
 5. REVERSE MOTION SHAFT
 6. SECOND MOTION SHAFT
 7. SELECTOR MECHANISM (Internal)
 8. SERVO MOTOR DRIVE
 9. THIRD MOTION SHAFT
 10. TIE BAR

KEY TO CHASSIS NUMBERS

Used on	A, B, C, D, E Series	
" "	B-FV 2-40, 52-80, 88-98, 102, 108-118, 130-136, 142-144, 152	= G
" "	B-FV 42-50, 82-86, 100, 104, 106, 120-128, 138, 140, 146-150, 154 onwards.	= H
" "	A, B, C, D, E & F Series	
" "	B-GT 1-279	= J
" "	B-GT 281 onwards	= K
" "	A, B, C, D, E Series	
" "	B-FV 2-318 (LC)	= L
" "	B-FV 320 onwards (LC)	= M
" "	A, B, C, D, E Series (LC)	
" "	B-FV All Chassis	
" "	B-FU 1-97, 101-195	= N
" "	B-FU 99, 197 onwards (LC)	= O

Used on			
		A, B, C, D, E, F, G, H, J, K, L, M Series.	
"	" B-NZ	2-358 on (LC)	
"	" B-NZ	2-498	
"	" B-NY	121 onwards	} (RC) = R
"	" B-NZ	360 onwards, (LC)	
"	" B-NZ	500 onwards	
"	" B-NY	1-119, 123 onwards	} (RC) = S
"	"	A Series	
"	" B-BH	58, 66-76, 92-228, 270, 272, 276, 288, 290	= T
"	" B-BH	2-56, 60-64, 78-90, 230-268, 274, 278-286, 292 onwards	= U
"	"	A, B & C Series	
"	" B-DA	2-500	
"	" B-DZ	1-99, 155-157	= V
"	" B-DZ	101-153, 159 onwards	= W
"	" B-BH	2-56, 60-64, 78-90, 230-268, 274, 278-286, 292 on to end of B Series	
"	"	C Series	
"	" B-DA	2-500	
"	" B-DZ	1-99, 155-157	= X

GROUP G.1. CHANGE SPEED MECHANISM.

Comprising:-

BEARING, lateral ball assembly, including 16 balls .187" dia. RG.6209 or RG.6593	1	GB.4155A	1	
BEARING, spherical joint	2	GB.3467	1	
BEARING, spherical inner, female	3	RG.3225	1	
BEARING, spherical outer, female	4	RG.3224	1	
BEARING, spherical male	5	RG.3644	1	
BOLT, 2 BA., spherical joint	X.4	YB.7956	4	
BOLT, .312" dia., selector lever	X.11	K.310	1	
BOLT, .375" dia., gate to bracket retaining	X.12	K.406	2	
BRACKET, assembly with 2 off studs, YB.405/Z	6	RG.3324A	1	
COVER, end	7	RG.3326	1	
COVER, spherical bearing	8	GB.3643	1	
FERRULE, change speed shaft	9	RG.3337	1	
GATE, assembly, with stop plate (not supplied separately)	10	RG.3341	1	
JOINT, spherical, bearing to gearbox	11	GB.4124	1	
KEY, change speed and selector lever boss .125" wide (see section X for extra width keys)	X.18	KG.505	2	
LEVER, change speed, assembly, consisting of:	12	RG.3327A	1	G
Arm, reverse, stop		GW.1784	2	
Bolt, 5 BA., reverse stop spring retaining		GW.4154	1	
Bolt, .312" dia., lever boss		K.313	1	
Handle		GB.992	1	
Lever		RG.3327	1	
Link, spring		GB.4157	1	
Nut, 5 BA, reverse stop spring retaining		K.4003	1	
Nut, full, .312" dia., lever boss		K.4009	1	
Piece, distance, reverse stop and fulcrum		GB.4153	2	
Rivet, reverse stop and fulcrum		GB.4152	1	
Rod, with sleeve, GW.1464, and sleeve pin, RG.3340 assembled		RG.3342	1	
Spring, inside handle		G.84203	1	
Spring, reverse stop		GW.1782	1	
Stop, reverse		RG.3338	1	
Stop, sleeve		GB.843	1	
Washer, spring, .312" dia., lever boss		K.9009	1	
LEVER, change speed assembly, except:		RG.5748A	1	H
Lever		RG.5748	1	
Rod, with sleeve, GW.1464, and sleeve pin RG.3340 assembled		RG.5746	1	
LEVER, selector	13	GB.5129	1	
MEMBER, driven, spherical joint	14	GB.3642	1	
NUT, half, 2 BA., spherical joint	X.24	K.4307	4	
NUT, half, .312" dia., bracket to frame studs	X.24	K.4313	2	
NUT, half, .312" dia., selector lever bolt	X.24	K.4313	1	
NUT, half, .375" dia., gate to bracket bolt	X.24	K.4316	2	
PACKING, bracket to frame	15	RG.3331		B

GROUP G.1. (Continued overleaf)

GROUP G1. CHANGE SPEED MECHANISM (Continued).

RACE, outer, lateral ball bearings	16	RG. 3334	1	
RING, spring, change speed shaft	25	RG. 3336	1	
SCREW, 2 BA, end cover, retaining	X.46	K. 1907/Z	4	
SCREW, hex. head, .250" dia., spherical bearing	X.55	KC.208/Z	3	
SHAFT, change speed	17	RG. 3329A	1	
SHAFT, selector, assembly with 1 off spring stop ring GW.1273	18	GB.4938A	1	
SPRING, change speed shaft	19	RG. 3335	2	
SPRING, selector shaft	20	GB.3882	1	
SPRING, spherical joint	21	GB.1767	1	
STOP, rubber	22	RG. 3332	1	
WASHER, change speed shaft	23	RG. 3489	1	
WASHER, end, lateral ball bearing	24	RG. 3333	2	
WASHER, lock, .312" dia., selector lever bolt	X.89	KB.7107	1	
WASHER, spring, 2 BA., end cover screw	X.87	K. 9006	4	
WASHER, spring, 2 BA., spherical joint	X.87	K. 9006	4	
WASHER, spring, .250" dia., spherical bearing	X.87	K. 9008	3	
WASHER, spring, .312" dia., bracket to frame studs	X.87	K. 9009	2	
WASHER, spring, .375" dia., gate to bracket bolt	X.87	K. 9010	2	

GROUP G1A. CHANGE MECHANISM TO SUIT L. H. CONTROL.

Comprising:

BEARING, flexible strap pin	1	RF. 5085	2	
BRACKET, bellcrank lever, with 2 off stud, KB.657/Z	2	RF.6529	1	
BUSH, anti-rattle,centre type	3	RF.5032	2	
BUSH, clamping, control linkage	4	RG.5763	1	
COTTER, lever	5	RG.5726	2	
COTTER, lever	X.16	KB.7705	2	
COVER, ball joint linkage		RG.5768	5	J
COVER, ball joint linkage	6	RG.6768	5	K
COVER, dust tube	7	RF.6516	1	
COVER, change gear lever	8	RF.6709	1	
FORK, selector lever to rod	9	RG.5745	1	
HOUSING, bearing, lower assembly	10	RF.6531A	1	L
Bush, oilite		RF.6525	1	
Dowel		RF.6519	1	
HOUSING, assy., as above except additional:		RF.7155A	1	M
Washer felt		RF.7152	1	
HOUSING, bearing, upper assembly with:	11	RF.6504A	1	N
Housing		RF.6522	1	
Bush, oilite		RF.6520	1	

GROUP G1A. (Continued Overleaf)

GROUP G1A. CHANGE MECHANISM TO SUIT L.H. CONTROL.
(Continued)

HOUSING Assembly with:		RF.7368A	1	0
Housing		RF.7367	1	
Bush, oilite		RF.6580	1	
JAW, pull rod	X.17	KB.1115/Z	3	
JAW, pull rod, selector mechanism	12	GW.2137	1	
LEVER, bellcrank, gear change mechanism, assy. with 2 off bush, GB.3615	13	RG.5777A	1	
LEVER, bellcrank, gearchange mechanism assy. with 1 off bush, GB.3615	14	RG.5778A	1	
LEVER, gear change tube, with bush, RF.6501	15	RF.6502	1	
LEVER, gear change assembly, consisting of:		RF.6713	1	N
Bush, oilite		RF.6289	2	
Handle gear change lever		RF.6277	1	
Spindle, gear change lever		RF.6290	1	
Button		RF.6508	1	
Lever		RF.6506	1	
Pin, ball		RF.6515	1	
Pin, taper, .125" dia., lever spindle		K.4901	1	
Rod		RF.6714	1	
Spring		RF.8080	1	
Stop		RF.6710	1	
Washer lock		RG.4001	1	
LEVER, gear change assy. as above except:	16	RF.6993	1	0
Bush, oilite		RF.6976	1	
Rod		RF.6974	1	
Stop		RF.6975	1	
LEVER, outer, selector shaft in gearbox	17	RG.5732	1	
LEVER, reverse light operating, external	18	RG.5735	1	
LEVER, reverse light operating, internal assy. consisting of:	19	RG.5741	1	
Lever		RG.5734	1	
Pad		RG.5727	1	
LEVER, selector with dowel, RG.6139 2 off	20	RF.5733A	1	
LEVER, selector, assembly, consisting of:	21	RF.6548A	1	
Bush, oilite		GB.3615	2	
Bush, rubber		RF.6501	1	
Lever		RF.6495	1	
Pin, ball		RF.6515	1	
Washer, lock		RG.4001	1	
LOCK, plate, selector lever to shaft	22	RG.5742	1	
NUT, lock, .250" dia., cotter pin, lever	X.24	K.4310/Z	1	
NUT, lock, .250" dia., bearing housing	X.24	K.4310/Z	2	
NUT, lock, .250" dia., pin strap	X.24	K.4310/Z	2	

GROUP G1A. (Continued Overleaf)

GROUP G1A. CHANGE MECHANISM TO SUIT L.H. CONTROL.

(Continued)

NUT, lock, .250" dia., shaft bellcrank lever	X.24	K.4310/Z	2	
NUT, lock, 2BA., cotter, lever	X.24	K.4307/Z	2	
NUT, lock, 2 BA.,	X.24	K.4307/Z	3	
NUT, lock, .312" dia.	X.24	K.4313/Z	8	
NUT, plain, 2 BA., bellcrank lever bracket	X.21	K.4006/Z	2	
PAD, ball pin	23	RF.6514	2	
PAD, ball joint housing	24	RG.5762	5	J
PIN, plain, .187" dia., pull rods	X.30	KB.4507/Z	3	
PIN, plain, .312" dia., pull rods	X.30	KB.4562/Z	1	
PIN, split, .062" dia., jaws	X.31	K.4601/Z	3	
PIN, split, .125" dia., jaws	X.31	K.4643/Z	1	
PIN, split, .062" dia.	X.31	K.4602/Z	3	
PIN, strap, bearing housing, lower	25	RG.5743	1	
PIN, ball joint housing	26	RG.6770	5	K
PLUG, ball joint housing		RG.5767	5	J
PLUG, ball joint housing	27	RG.6769	5	K
PLUG, ball pin	28	RF.6513	2	
ROD, lever to gearbox	29	RG.5771	1	
ROD, pull, column to lever, assembly with housing, RG.5761 (not supplied separately)		RG.5750	1	J
ROD, pull, column to lever, assembly with housing, RG.6766 (not supplied separately)	30	RG.6773	1	K
RCD, pull, selector mechanism	31	RG.5772	1	
SCREW, cheesehead, 2 BA	X.46	K.1949/Z	2	
SCREW, 2 BA., operating rod fork	X.54	KC.175/Z	1	
SCREW, .250" dia., selector shaft to lever	X.55	KC.904/Z	4	
SCREW, socket, upper housing	32	RF.6528	2	
SCREW, .312" dia., support stay	X.56	KC.295/Z	1	
SHAFT, gear change lever	33	RG.5744	1	
SHAFT, reverse light operating	34	RG.5729	1	
SHAFT, selector cross	35	RG.5740	1	
SPRING, ball pin pad	36	GB.3408	2	
SPRING, pull off	37	RF.8079	1	
STAY, support, column to lever		RG.5774	2	J
STAY, support, column to lever	38	RG.6953	2	K
STRAP, bellcrank lever bracket	39	RF.6530	1	
STRAP, lower bearing housing with 2 off stud, KB.362/Z	40	RF.6532A	1	
STRAP, upper bearing housing	41	RF.6523	1	
STUD, .250" dia., bearing housing strap		KB.362/Z	2	
TUBE, cross, gear change assembly with 4 off housing, RG.5761 (not supplied separately)		RG.5770	2	J
TUBE, cross, gear change assembly, with 4 off housing, RG.6766	42	RG.6765	2	K
TUBE, gear change assembly, including:		RF.6711A	1	N
Base, support		RF.6708	1	
Piece, extension		RF.6526	1	
Pin, taper		K.4880	2	
Tube, gear change		RF.6511		

GROUP G1A. (Continued Overleaf)

GROUP G1A. CHANGE MECHANISM TO SUIT L.H. CONTROL.
(Continued)

TUBE, gear change assembly, including:	43	RF.6997	1	0
Base support		RF.6994	1	
Bush, oilite		RF.6289	2	
Plate, backing, spring, gear change		RF.6973	1	
Piece, extension		RF.6526	1	
Rivet, spring, gear change		KB.1808	1	
Spindle		RF.6971	1	
Spring leaf, gear change		RF.6972	1	
Tube, gear change		RF.6511	1	
TUBE, inner	44	RF.6512	1	
WASHER	45	FW. 337	1	
WASHER, bearing	46	RF.6527	1	
WASHER, Grover, .250" dia. cotter	X.81	K.4508/Z	2	
WASHER, Grover, 2 BA. cotter		K.4506/Z	2	
WASHER, 7 BA., inner tube	X.85	K.4450/Z	2	
WASHER, plain, .250" dia., cotter	X.85	K.4407/Z	2	
WASHER, plain, .200" dia., cotter		K.4404/Z	2	
WASHER, plain, .312" dia., lever bracket	X.85	K.4410/Z	1	
WASHER, selector shaft	47	RG. 7014	1	
WASHER, spring, 2 BA	X.87	K.9006/Z	2	
WASHER, spring, .250" dia.	X.87	K.9008/Z	7	
WASHER, spring, .312" dia., support stay	X.87	K.9009/Z	1	
WASHER, spring, 2 BA., set screw fork	X.87	K.9006/Z	1	

GROUP G2. DAMPER CONTROL PUMP & SPEEDOMETER DRIVE.

Comprising:

BALL, steel, .406" dia., valve	1		1	
BOLT, 5 BA., operating lever	X. 7	K.3706/Z	1	
BUSH, driving	2	GB.4812	1	
COLLAR, valve lever pivot	X.16	KB.1178/Z	1	
COVER	3	GB.4814	1	
COVER, valve spring	4	GB.5345	1	
GEAR, driving, 8-teeth	5	GB.3757	1	
GEAR, driven, oil pump, 15-teeth	6	GB.3572	1	
GEARSHAFT, driving oil pump, 15-teeth	7	RG. 464	1	
HOUSING, pump assembly, consisting of:	8	RG. 463A	1	
Bolt, 2 BA., disc retaining		KB.7866/Z	3	
Disc, bearing		GB.4811	1	
Housing		RG. 463	1	
Nut, full, 2 BA., disc and pivot		K.4006/Z	1	
Pivot, valve lever		GB.3562	1	
Washer, lock, disc retaining nut		KB.7104	3	
JOINT, cover and housing	9	GB.4950	2	

GROUP G2. (Continued Overleaf)

GROUP G2. DAMPER CONTROL PUMP & SPEEDOMETER DRIVE.
(Continued)

LEVER, operating, external	10	GB.3565	1	
LEVER, valve, internal	11	GB.3567	1	
NUT, castellated, .250" dia., driving gear	X.20	K.4208/Z	1	
NUT, full, 5 BA., operating lever bolt	X.21	K.4003/Z	1	
NUT, lock, 2 BA., pump casing	X.24	K.4307/Z	3	
PIN, operating	12	GB.5022	1	
PIN, split, .062" dia., driving gear nut	X.31	K.4602/Z	1	
PIN, split, .062" dia., valve lever pivot		K.4602/Z	1	
PLUG, felt, speedometer drive	13	GB.4810	1	
SPRING, valve	14	GB.3566	1	
WASHER, plain, .250" dia., driving gear	X.85	K.4407/Z	1	
WASHER, spring, 5 BA., operating lever bolt	X.87	K.9003/Z	1	

GROUP G3. FIRST MOTION SHAFT.

Comprising:

BEARING ball	1	RG.5958	1	A
BEARING ball		RG.6591	1	A
CONE, synchromesh, 4th speed, assy. consisting of:	2	RG.3241		T
Cone		GB.5335	1	
Insert		RG.3240	1	
Rivet		KB.12568	4	
CONE, synchromesh, as above except		RG.4281	1	U
Cone		RG.4278	1	
GEARSHAFT, 18 teeth, 1st motion	3	GB.5338	1	
NUT, ball bearing retaining	X.23	KB.3541/Z	1	
RETAINER, roller (assembly purpose only)	4	RG.3130	1	
ROLLER, 1st motion shaft bearing (Fischer)	5	GB.5282	14	A
ROLLER, 1st motion shaft bearing (R & M)		RG.6584	14	A
ROLLER, 1st motion shaft bearing (Hoffman)		RG.7080	14	A
WASHER, plain, ball bearing	6	GB.5360	1	
WASHER, locking, ball bearing nut	7	GB.5382	1	

GROUP G4. GEARBOX.

Comprising:-

ADAPTOR, oil supply to dampers	1	RG.1618	1	
BEARING, selector shaft	2	RG.5737	1	
BOLT, .250" dia., backing plate to housing (LC)	X.10	K.205/Z	1	
BOLT, .312" dia., rear cover foot	X.11	K.306/Z	2	
BRACKET, reverse light switch (LC)	3	RG.5731	1	
CIRCLIP, Seegar, .812" bore, locating piece, servo bearing	4	KB.14017	1	

GROUP G4. (Continued Overleaf)

GROUP G4. GEARBOX. (Continued)

COVER, bottom drain, assembly with 1 off adaptor RG. 3321	5	RG. 3119A	1	
COVER, large, LH. side, RC. assy., with patent number plate	6	RG. 4403A	1	
COVER, large, LH. side, LC. assy., with patent number plate	7	RG. 5738A	1	
COVER, LH. gear change bore (RC)	8	RG. 429	1	
COVER, main front	9	RG. 5309	1	
COVER, main rear	10	RG. 5310	1	
COVER, selector bars, rear	11	GB. 4436	1	R
COVER, selector bars, rear		RG. 7315	1	S
COVER, selector, shaft actuation (LC)	12	RG. 7085	1	
COVER, top, inspection (RC)	13	GB. 4126	1	
COVER, top, inspection (LC)	14	RG. 5618	1	
CUP, felt washer, oil seal (LC)	15	RG. 5728	1	
DIPSTICK assy.	16	GB. 5130	1	
GATE, gear change (LC)	17	RG. 5736	1	
GEARBOX (RC) assembly, consisting of:	18	RG. 3117A	1	
Casing		RG. 3117	1	
Plug, damper control housing and selector lock drilling		RG. 3322	1	
Stud, 2 BA., damper pump control shaft bracket		KB. 256/Z	2	
Stud, 2 BA., LH. gear change bore		KB. 253/Z	4	
Stud, .250" dia., pressed steel cover	X.67	KB. 399/Z	28	R
Stud, .250" dia., pressed steel cover		KB. 399/Z	24	S
Stud, .250" dia., damper control housing		KB. 351/Z	3	
Stud, .250" dia., front cover		KB. 353/Z	6	
Stud, .250" dia., rear main cover		KB. 366/Z	2	
Stud, .250" dia., rear main cover		KB. 353/Z	3	
Stud, .250" dia., rear support bracket		KB. 355/Z	7	
Stud, .250" dia., selector eccentric pin covers		KB. 350/Z	6	
Stud, .250" dia., selector rod cover	X.68	KB. 360/Z	4	S
Stud, .312" dia., tie rod bracket		KB. 402/Z	2	
GEARBOX (LC) assembly, as above except:		RG. 3117B	1	
Plug, damper control bracket		RG. 7012	2	
Stud, 2 BA. backing plate		KB. 750/Z	1	
Stud, 2 BA. backing plate		KB. 273/Z	3	
Stud, .250" dia., shaft bearing and gate		KB. 352/Z	7	
Stud, .250" dia., housing		KB. 367/Z	1	
Stud, .250" dia., housing		KB. 371/Z	1	
The following studs are not used on (LC):- KB. 256/Z, KB. 253/Z. There are 22 off, KB. 399/Z.				
JOINT, laminated cork, bottom drain cover	19	RG. 3120	1	
JOINT, laminated cork, LH. side cover (RC)	20	RG. 170	1	
JOINT, laminated cork, selector bars, rear cover	21	RG. 3001	1	R
JOINT, laminated cork, top inspection cover (RC)	22	GB. 4125	1	

GROUP G4. (Continued Overleaf)

GROUP G4. GEARBOX. (Continued)

JOINT, vellumoid, LH. gear change bore cover (RC)	23	RG. 427	1	
JOINT, vellumoid, large, LH. side cover (LC)	24	RG.5660	1	
JOINT, vellumoid, main front cover	25	GB.4123	1	
JOINT, vellumoid, main rear cover	26	GB.4833	1	
JOINT, vellumoid, top cover and gate (LC)	27	RG.5659	2	
JOINT, vellumoid, backing plate to housing (LC)	28	RG.5776	1	
JOINT, vellumoid, selector shaft, RH. bearing (LC)	29	GB.4124	1	
NUT, half, 2 BA., LH., gear change bore and damper control shaft brackets (RC)		K.4307/Z	6	
NUT, half, 2 BA., backing plate to housing		K.4307/Z	4	
NUT, half, .250" dia., (RC)		K.4310/Z	57	
NUT, half, .250" dia., (LC)		K.4310/Z	59	
NUT, half, .312" dia., rear cover, foot bolt		K.4313/Z	2	
NUT, half, .312" tie rod bracket stud		K.4313/Z	2	
NUT, reach, conduit clips (LC)	30	RG.6162	1	
PACKING, rear cover, foot	31	GB.5266	4	
PACKING, reverse light switch (LC)		RG.7038		B
PACKING, reverse light switch (LC)		RG.7039		B
PIECE, locating, servo bearing	32	RG.3129	1	
PLUG, oil drain	33	RG.3744	1	
RING, sealing, servo bearing locating piece		KB.6201	1	
RING, spring, front ball bearing bore	34	RG.5311	1	
RING, spring, rear ball bearing bore	35	RG.5312	1	
SEAL, selector cross shaft (LC)	36	RG.5730	1	
SCREW, locking, 2nd and reverse bearing shaft	37	GB.5018	2	
SCREW, reverse light bracket (LC)		KC.153/Z	2	
SUPPORT, rear casing, assy., consisting of:-	38	RG.174A	1	
Plate		GB.4895	2	
Support		RG.174	1	
TUBE, damper control pump, suction assembly, consisting of:	39	GB.3568A	1	
Adaptor		GB.3568	1	
Filter		GB.5035	1	
Tube		RG.172	1	
WASHER, adjusting reverse light switch (LC) .040" thick, RG.6384 .060" thick, RG.6386 .050" thick, RG.6385 .070" thick, RG.6387				
WASHER, joint, damper control pump, suction tube	40	RG.3248	1	
WASHER, joint, .500" dia., damper oil supply adaptor		KB.1097	1	
WASHER, joint, oil drain plug		KB.1093	1	
WASHER, locking, 2nd and reverse bearing shaft locking screw		KB.7109	2	
WASHER, plain, .250" dia., pressed steel covers (RC)		K.4407/Z	28	
WASHER, plain, .250" dia., pressed steel covers (LC)		K.4407/Z	6	

GROUP G4. (Continued Overleaf)

GROUP G4. GEARBOX. (Continued)

WASHER, spring, 2 BA, LH., gear change bore (RC) and damper control shaft brackets	K.9006/Z	6
WASHER, spring, 2 BA., backing plate to housing, reverse light bracket (LC)	K.9006/Z	6
WASHER, spring, .250" dia., (RC)	K.9008/Z	57
WASHER, spring, .250" dia., (LC)	K.9008/Z	62
WASHER, spring, .250" dia., conduit clips (LC)	K.9008/Z	1
WASHER, spring, .312" dia., rear cover foot bolt	K.9009/Z	2
WASHER, spring, .312" dia., tie rod bracket stud	K.9009/Z	2

GROUP G5. REVERSE MOTION SHAFT.

Comprising:-

GEARSHAFT, reverse, 21 & 44 teeth, front and rear respectively, assembly, consisting of:	1	RG. 183A	1
Bush, white metallised		GB.5019	2
Gearshaft		RG. 183	1
SHAFT, bearing	2	RG. 184	1
WASHER, thrust	3	RG. 182	1

GROUP G6. SECOND MOTION SHAFT.

Comprising:-

BEARING, front, Timken, cone, roller	1	RG. 5686	1
BEARING, rear, Timken, cone, roller	2	RG. 5687	1
GEARSHAFT, 2nd motion (23, 17, 20, 12 and 19 teeth, front to rear gears respectively)	3	RG. 3544	1
RING, sealing, front end	X.24	KB. 6206	1
SHAFT, bearing	4	RG. 3124	1
WASHER, rear end		GB.5270	1
WASHER, adjusting, front end	5		1
.080" thick RG. 3131		.082" thick RG.4474	
.084" thick RG. 3132		.086" thick RG.4475	
.088" thick RG. 3133		.090" thick RG.4476	
.092" thick RG. 3134		.094" thick RG.4477	
.096" thick RG. 3135		.098" thick RG.4478	
.100" thick RG. 3136		.102" thick RG.4479	
.104" thick RG. 3137		.106" thick RG.4480	
.108" thick RG. 3138		.110" thick RG.4481	
.112" thick RG. 3139		.114" thick RG.4482	
.116" thick RG. 3140		.118" thick RG.4483	
.120" thick RG. 3141		.122" thick RG.4484	

GROUP G6. (Continued Overleaf)

GROUP G.7. SELECTOR MECHANISM (Internal)

Comprising:-

ARM, retaining, and detent roller assembly	1	RG.7219	1	S
BALL, steel, .312" dia., shaft, interfering	2	RG.6131	2	A
BALL, steel, .312" dia., shaft, interfering		RG.6594	2	A
BALL, steel, .500" dia., shaft, positioning	3	RG.6627	3	
BOLT, 2 BA., retaining, jaw to fork	X.9	K.108/Z	4	
FORK, operating, 1st and 2nd, 3rd & 4th gears	4	GB.5076	2	
JAW, bolted to fork	5	GB.5075	2	
LEVER, 1st & 2nd motion, operating	6	GB.4831	1	
LEVER, 3rd and 4th motion, operating	7	GB.4832	1	
LEVER, reverse operating	8	RG.3151	1	
NUT, cap, adjusting screw detent roller	9	RE.9032	1	S
NUT, lock, adjusting screw	X.24	K.4313/Z	1	S
NUT, full, 2 BA, jaw to fork retaining	X.21	K.4006/Z	4	
NUT, half, .250" dia., pin to operating levers retaining	X.24	K.4310/Z	2	
PIN, actuating, 1st & 2nd, 3rd & 4th, motion levers	10	GB.4144	2	
PIN, eccentric, pivot, 1st, 2nd and reverse gears	11	RG.3126	2	
PIN, eccentric pivot, 3rd & 4th gears	12	RG.3127	1	
PIN, retaining arm, detent roller	13	RG.7217	1	S
PLATE, eccentric pivot pins retaining	14	RG.3002	3	
PLATE, locking, jaw locating screw	15	GB.4341	4	
RING, guide shaft retaining	16	RG.3354	1	
RING, sealing, eccentric, pivot pins	X.34	KB.6201	3	
RING, sealing, operating guide shaft	X.34	KB.6201	1	
SCREW, adjusting, retaining arm, detent roller	17	RG.7314	1	S
SCREW, locating, jaw to selector shaft	18	GB.3451	4	
SCREW, 2 BA., selector shaft jaw locating screw	X.54	KC.152/Z	4	
SHAFT, guide, operating forks	19	RG.3226	1	
SHAFT, selector, 1st & 2nd gears, with jaw, GB.5128		RG.164A	1	R
SHAFT, selector, 1st & 2nd gears, with jaw, GB.5128	20	RG.7210/A	1	S
SHAFT, selector, 3rd & 4th gears with jaw, GB.5128		RG.165A	1	R
SHAFT, selector, 3rd & 4th gears, with jaw, GB.5128	21	RG.7211A	1	S
SHAFT, reverse motion, with jaws, GB.5128 and RG.167		RG.166A	1	R
SHAFT, reverse motion, with jaws, GB.5128 and RG.167	22	RG.7212A	1	S
SPRING, shaft, positioning		GB.4338	3	R
SPRING, shaft, positioning	23	RG.7213	3	S
SPRING, detent roller, 1st & 2nd speed	24	RG.7215	1	S
WASHER, adjusting, reverse shaft	25	RG.5655		B
WASHER, cap nut, detent roller		KB.1077	1	S
WASHER, lock, 2 BA., selector shaft, jaw lock plate retaining screw		KB.7104	4	
WASHER, pin, retaining arm detent roller		KB.1076	1	S

GROUP G8. SERVO MOTOR DRIVE.

Comprising:

BEARING, ball, inner	1	RG. 7079	1	A
BEARING, ball, inner		RG. 4449 ✓	1	A
BEARING, ball, inner		RG. 6588	1	A
BEARING, ball, outer	2	RG. 4448 ✓	1	A
BEARING, ball, outer		RG. 7078	1	A
BEARING, ball, outer		RG. 6587	1	A
CIRCLIP, Seegar, outer bearing	3	KB. 14188	1	
CIRCLIP, Seegar, worm wheel	4	KB. 14172	1	
HOUSING, oil seal	5	RG. 3109	1	
JOINT, oil seal housing	6	RG. 3000	1	
NUT, castellated, .437" dia., shaft retaining	X.20	KB. 3589	1	
PIN, Servo driving	7	RG. 3222	3	
PIN, split, .093" dia., shaft nut	X.31	K. 4608	1	
SCREW, countersunk head, 2 BA., housing	X.50	K. 2810	4	
SEAL, oil, Angus, "Gacc"	8	RG. 7027	1	
SHAFT,	9	RG. 3246	1	
WASHER, inner bearing	10	GB. 4043	1	
WASHER, worm wheel	11	RG. 3705	1	
WHEEL, worm	12	RG. 3419	1	

GROUP G9. THIRD MOTION SHAFT.

Comprising:

BALL, steel, .187" dia., supporting 3rd to 4th speed sliding piece key, to suit key, RG.2138		RG.6953	4	A/V
BALL, steel, .187" dia., supporting 3rd to 4th speed sliding piece key, to suit key, RG.2138		RG.6209	4	A/V
BALL, steel, .312" dia., 1st speed gear		RG.6594	2	A
BALL, steel, .312" dia., 1st speed gear		RG.6131	2	A
BEARING, ball, centre	2	RG.4447	1	A
BEARING ball, centre		RG.7076	1	A
BEARING ball, centre		RG.6595	1	A
BEARING ball, rear	3	RG.5959	1	A
BEARING ball, rear		RG.6592	1	A
BUSH, large dia. flange, 2nd & 3rd speed gears	4	RG.6984	2	
BUSH, small dia. flange, 2nd & 3rd speed gears	5	RG.6983	2	
CONE, synchronesh, 2nd speed assembly	6	RG.3245	1	
CONE, synchronesh, 3rd speed assembly	7	RG.3243	1	T
CONE, synchronesh, 3rd speed assembly		RG.4280	1	U
FLANGE, rear coupling	8	RG.3121	1	
GEAR, 21 teeth, 3rd speed, driven	9	RG.100	1	
GEAR, 28 teeth, 1st speed, gear	10	RG.3221	1	
GEAR, 30 teeth, 2nd speed, driven	11	RG.179	1	
GEAR, worm, Servo drive	12	RG.3418	1	
KEY, 1st speed gear	13	GB.5391	1	
KEY, locating, 3rd speed gear	14	GB.5359	1	
KEY, 3rd to 4th speed sliding piece to suit shaft, RG.193		RG.2138	2	V

GROUP G9. (Continued Overleaf)

GROUP G9. THIRD MOTION SHAFT (Continued).

KEY, 3rd to 4th speed sliding piece, to suit shaft, RG.5469	15	RG.5471	2	W
NUT, rear flange	16	G.54923	1	
PIECE, sliding, 3rd to 4th speeds to suit shaft RG.193, assembly consisting of:		RG. 102A	1	T
Piece, sliding		RG. 102	1	
Rivet		RG.2139	2	
PIECE, sliding, 3rd to 4th speed as above, except:		RG.4279A	1	Z
Sliding piece		RG.4279	1	
PIECE, sliding, 3rd to 4th speed to suit shaft, RG.5469	17	RG.5470	1	W
PIN, locating, 3rd speed gear	18	RG.3128	1	
PLUNGER, supporting, sliding piece key	19	RG.7009	4	W
SHAFT, 3rd motion (supersedes RG.193, not supplied as a replacement)	20	RG.5469	1	W*
SLEEVE, 3rd speed gear and centre bearing	21	GB.5374		
SPRING, 1st speed gear	22	GB.4875	2	
SPRING, 3rd speed gear, locating pin	23	GB.3408	1	
SPRING, supporting, .187" dia., steel balls	24	GB.4842	2	
WASHER, adjusting, centre bearing	25			
.150" thick, GB.5366		.152" thick, GB.5368		
WASHER, adjusting, centre bearing				
.154" thick, GB.5370		.156" thick, RG.3496		
.158" thick, RG.3497		.160" thick, RG.3371		
WASHER, adjusting, 2nd speed gear	26			
.178" thick, RG.3498		.175" thick, GB.5361		
.177" thick, GB.5363		.179" thick, GB.5365		
WASHER, adjusting, rear flange	27			
.040" thick, RG.645		.045" thick, RG.6416		
.050" thick, RG.6417		.055" thick, RG.6418		
.060" thick, RG.6419		.065" thick, RG.6420		
.070" thick, RG.6554		.075" thick, RG.6555		
.080" thick, RG.6556		.085" thick, RG.6557		
.090" thick, RG.6558		.095" thick, RG.6559		
.100" thick, RG.6560		.105" thick, RG.6561		
.110" thick, RG.6562		.115" thick, RG.6563		
WASHER, key, 3rd speed gear	28	RG.7392	1	
WASHER, lock, rear flange nut	29	G.54681	1	
WASHER, plain, rear flange	30	G.54680	1	
WASHER, worm to 2nd speed gears				
.325" thick, RG.4350		.345" thick, RG.4351		
.365" thick, GB.5371		.385" thick, RG.4352		
.405" thick, RG.4353		.425" thick, RG.4354		

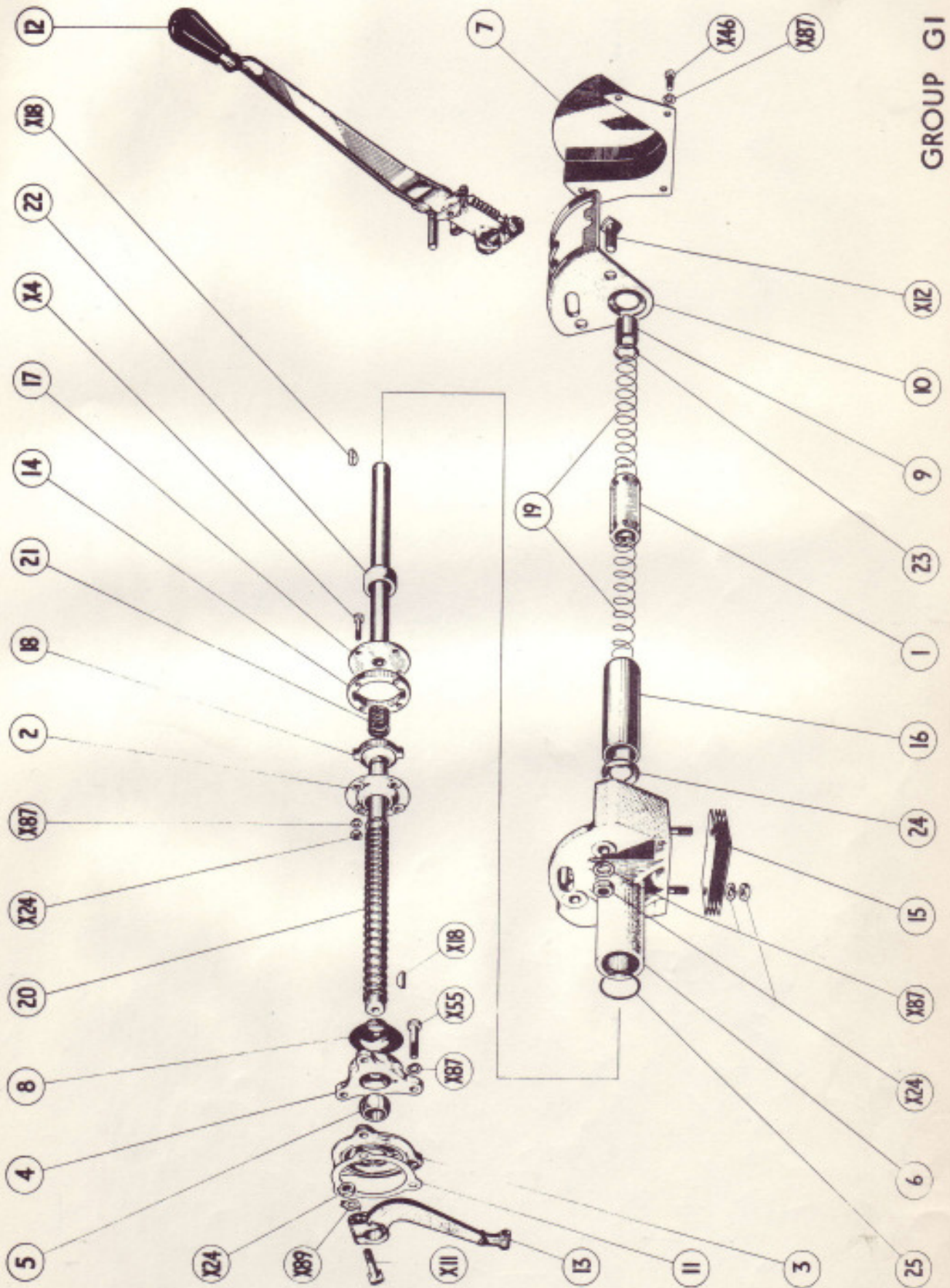
*NOTE: When shaft RG.5469 is used to replace RG.193 parts marked "W" must also be supplied.

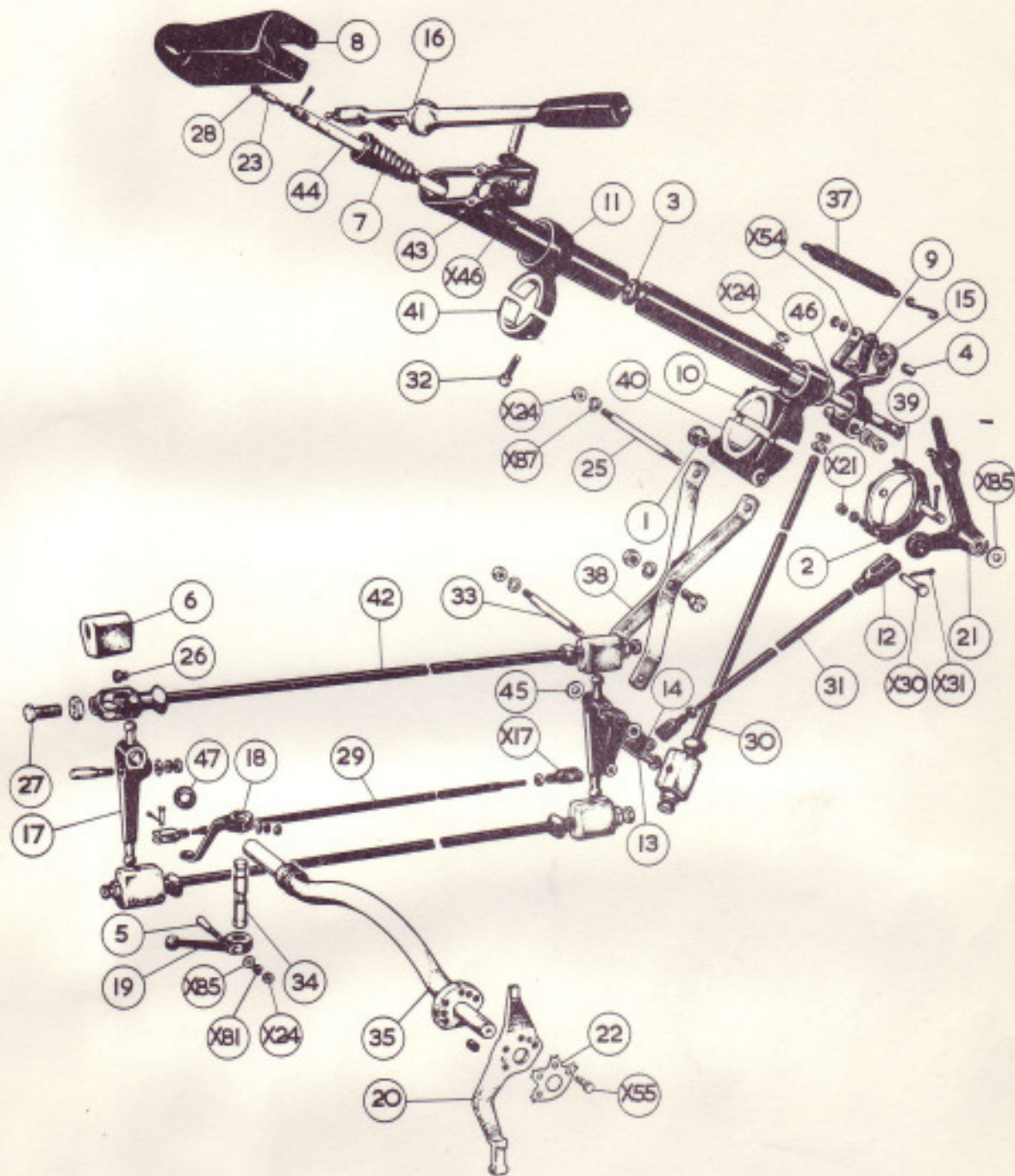
GROUP G10. TIE BAR.

Comprising:-

BLOCK, rubber	1	RG. 3428	4
BOLT, .250" dia., tie rod brackets	X.10	K. 243/Z	3
BRACKET assembly, consisting of:	2	RG. 5939	1
Bracket		RG. 5883	1
Cup for rubber block		RG. 3431	2
Rivet, .125" dia.		KB. 2454	6
NUT, half, .250" dia. bracket to frame bolt	X.24	K. 4310/Z	3
NUT, lock, .375" dia.	X.24	K. 4316	7
PIECE, distance, between rubber blocks	2	RG. 3429	2
PLATE, packing	4	RG. 3434	1
ROD	5	RG. 3430	1
SEATING	6	RG. 3427	1
WASHER, pressure	7	F. 88553	4
WASHER, spring, .250" dia., bracket bolt	X.87	K. 9008/Z	3

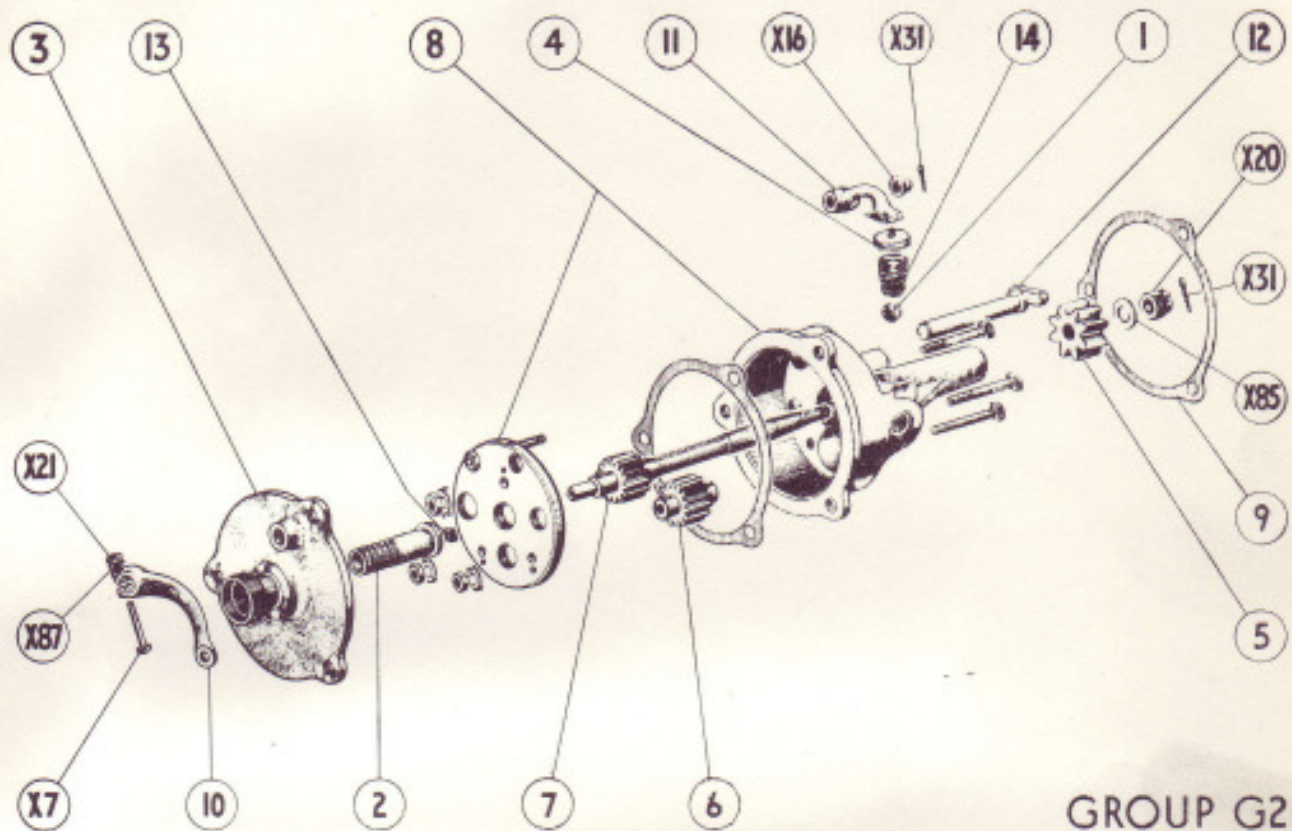
GROUP G1



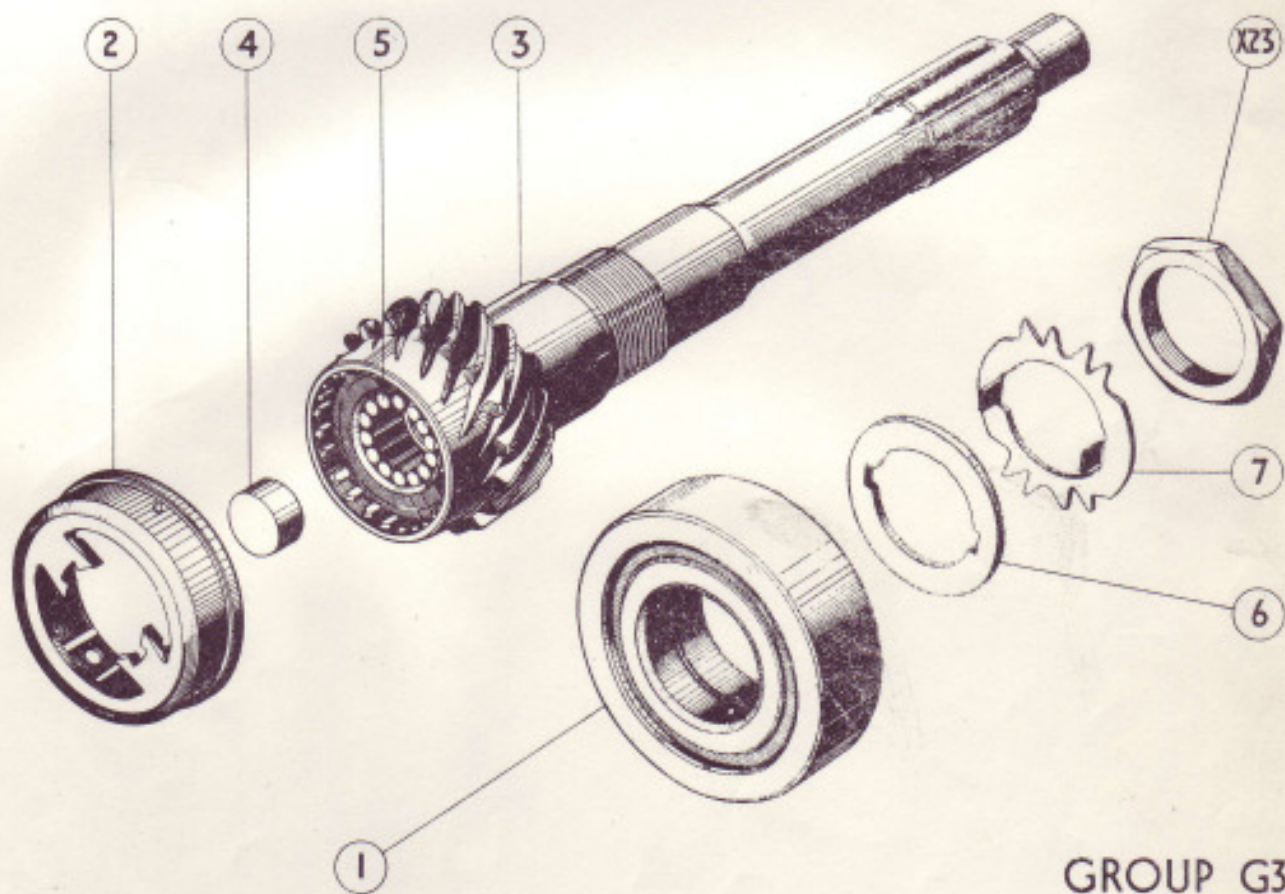


GROUP G1A



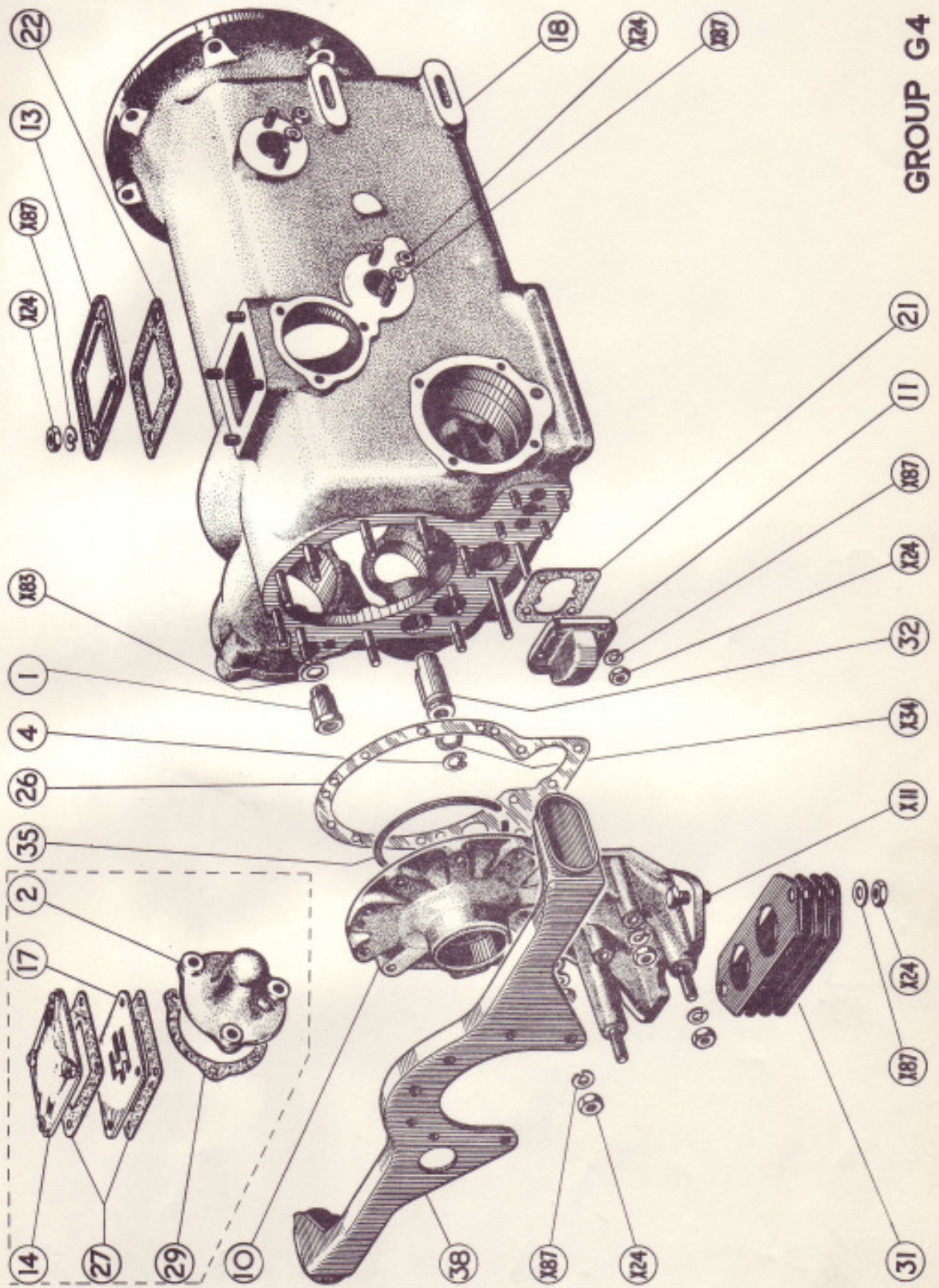


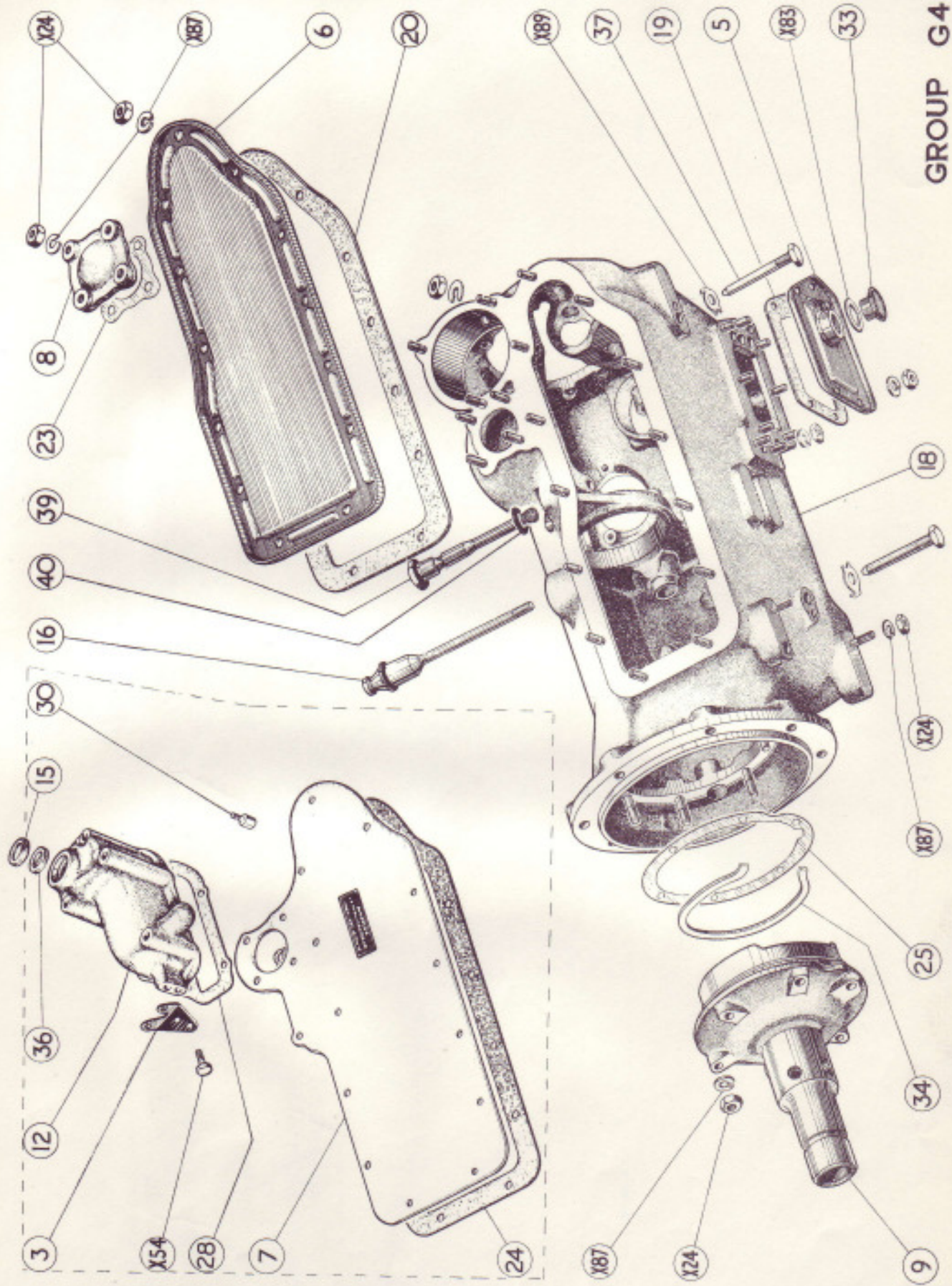
GROUP G2



GROUP G3

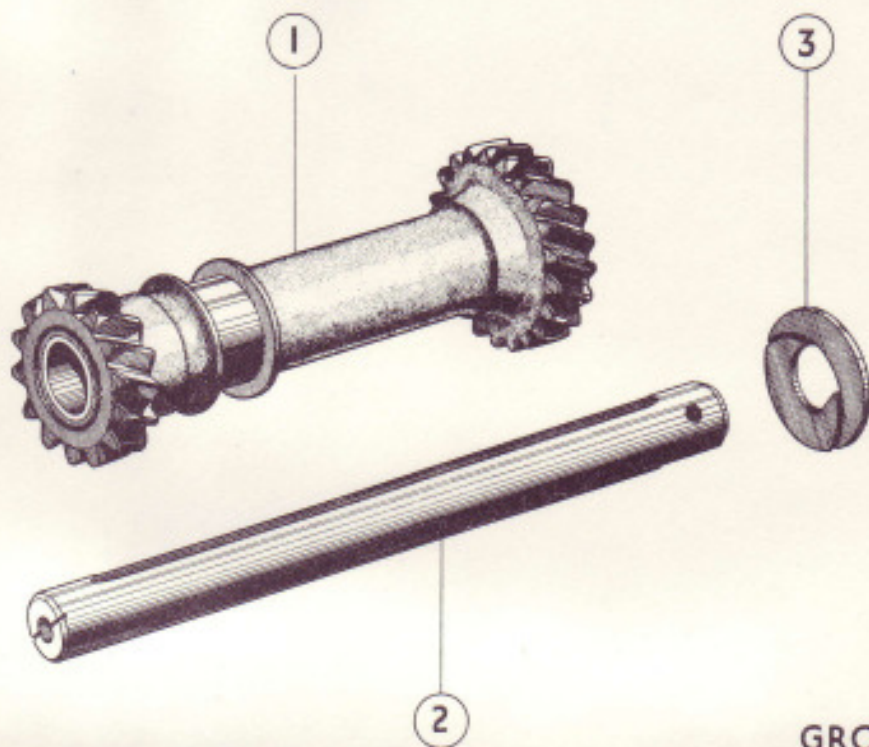




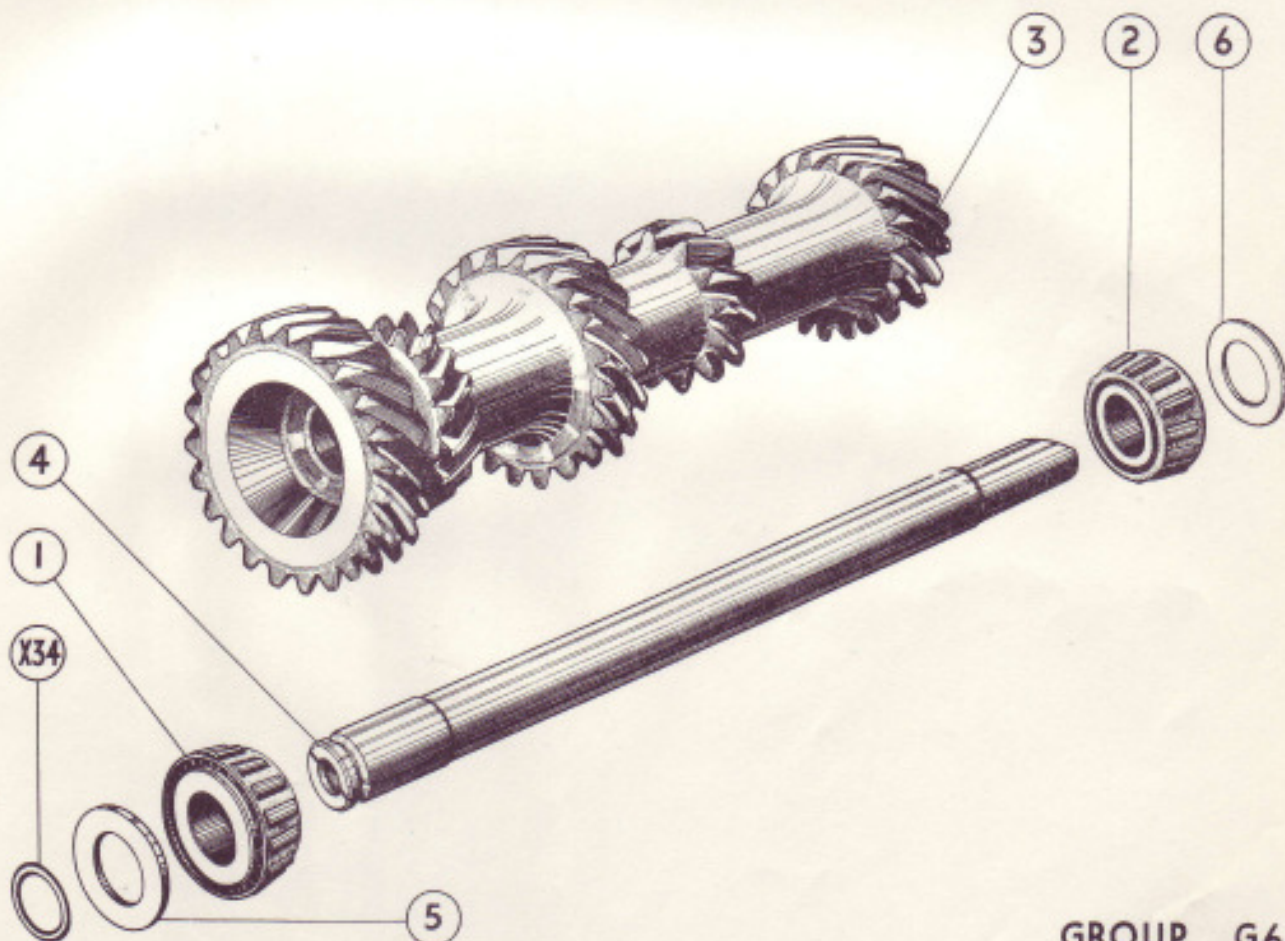


GROUP G4





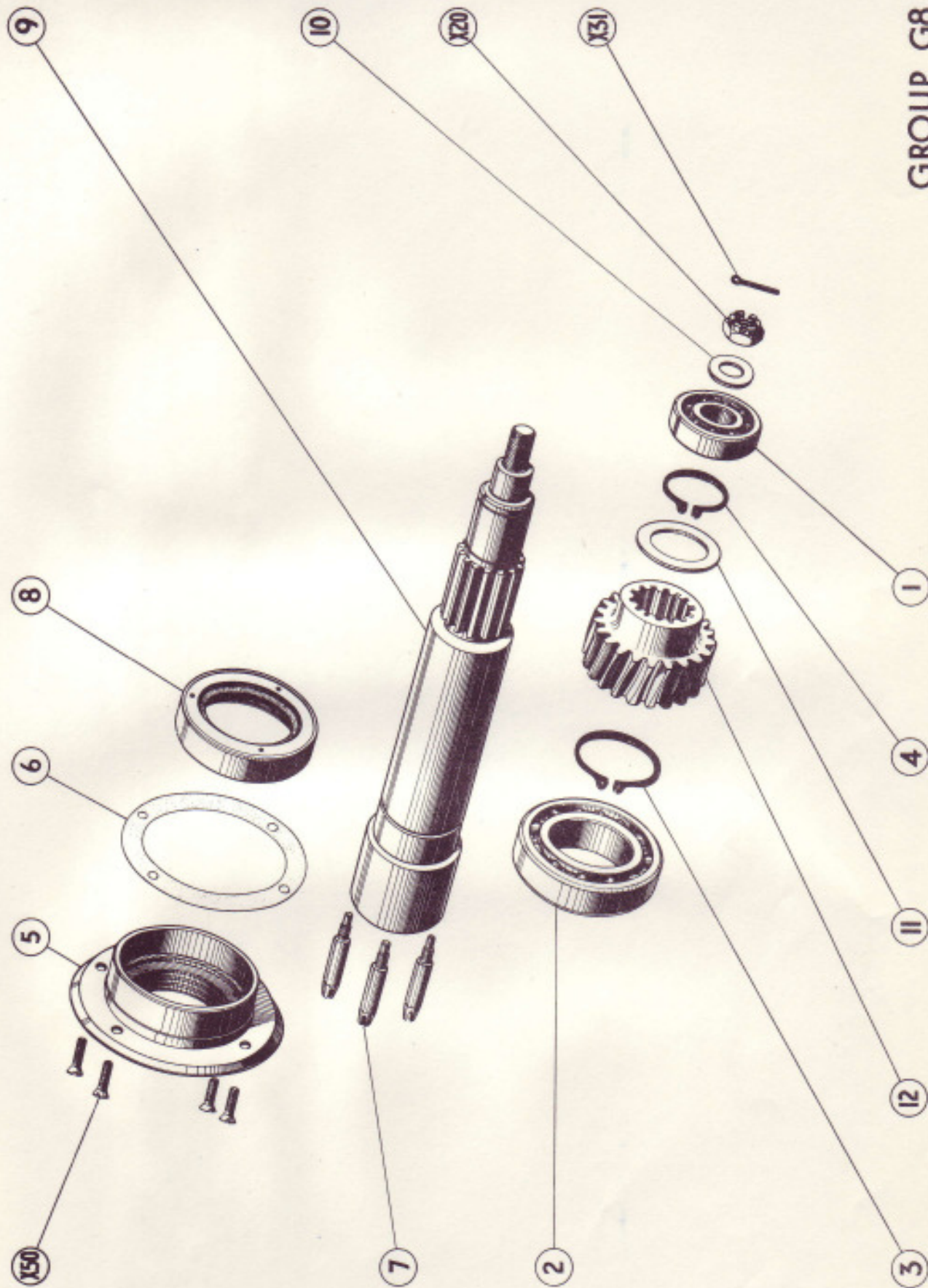
GROUP G5

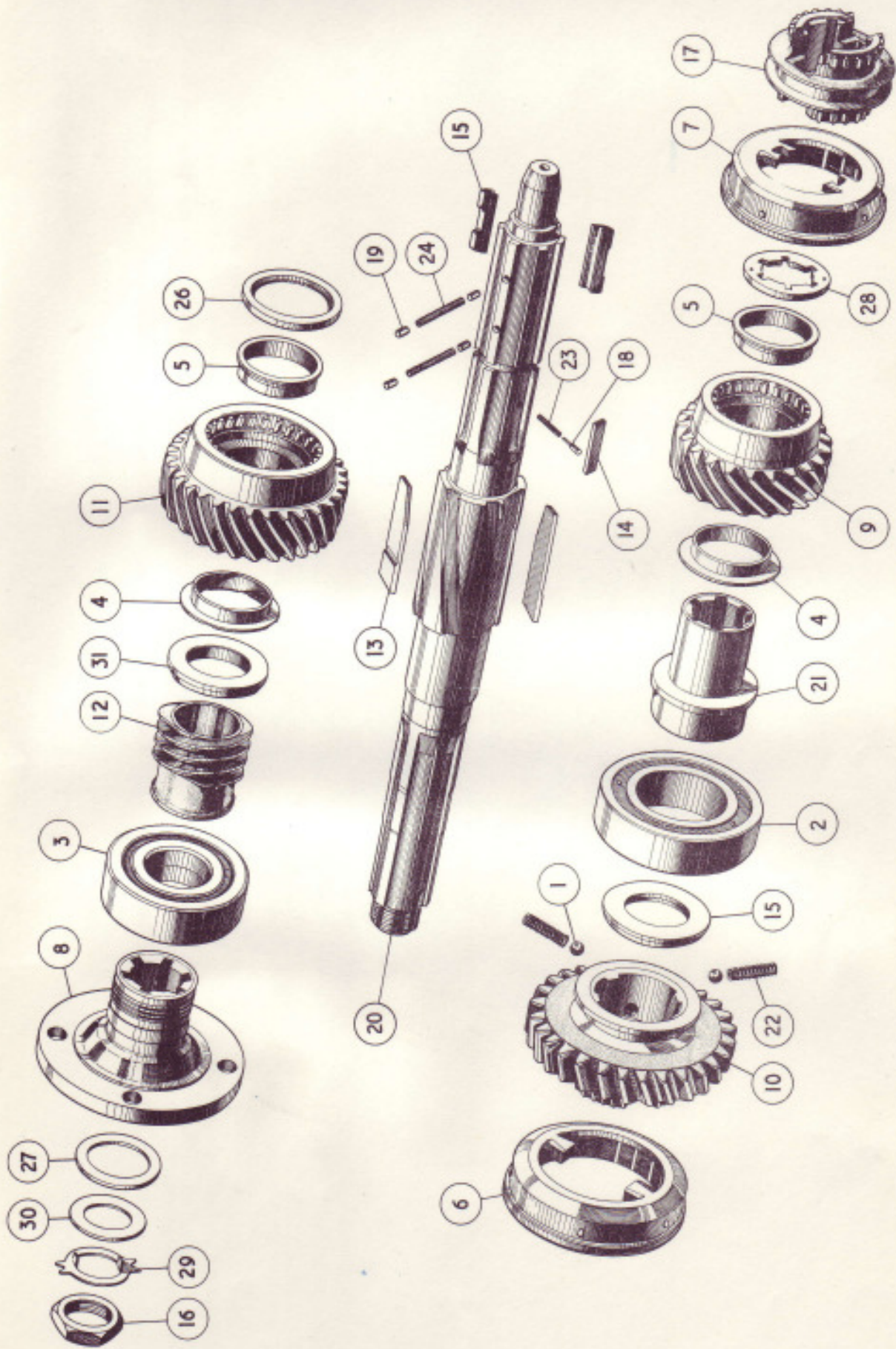


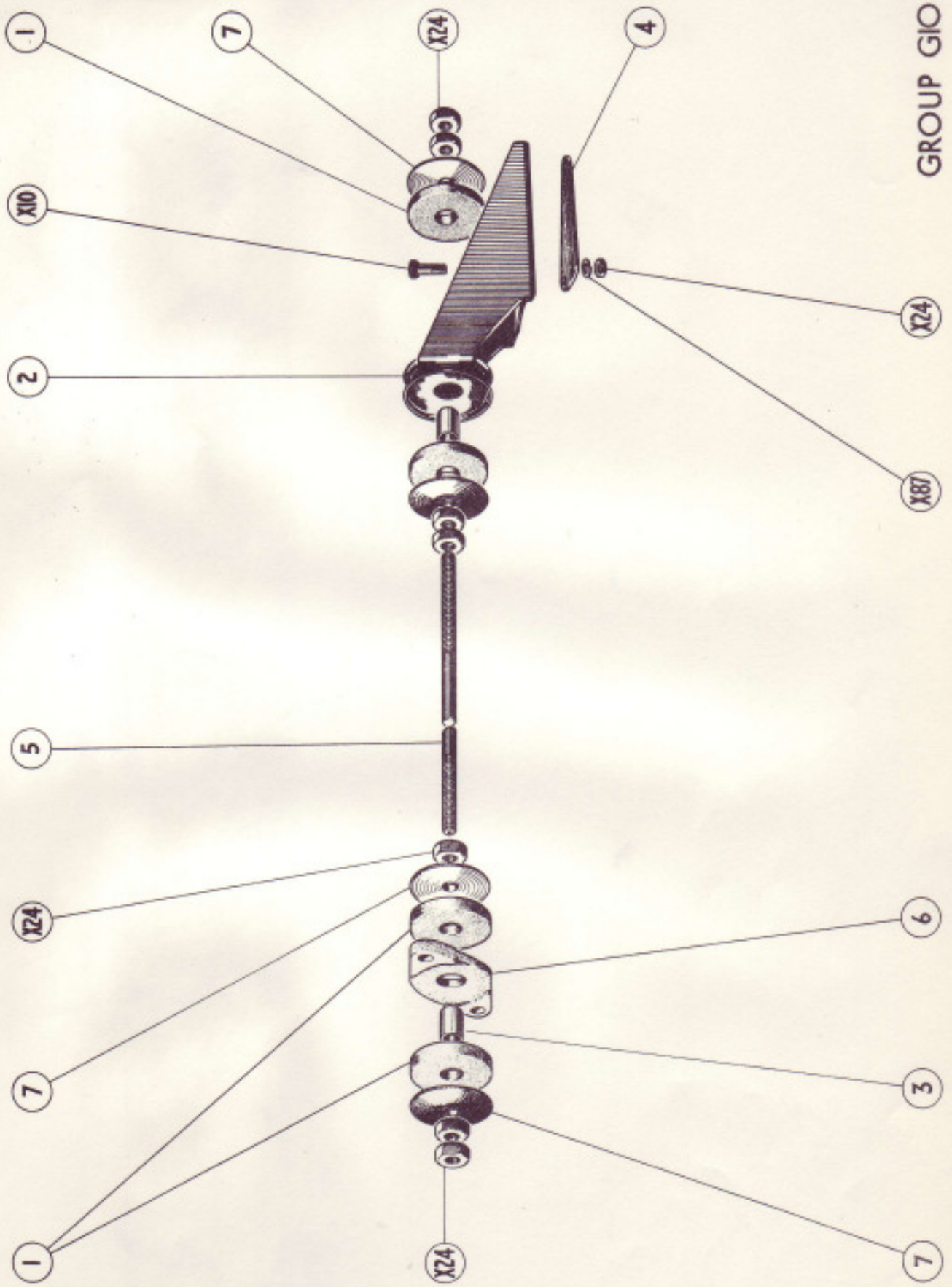
GROUP G6



GROUP G8







GROUP GIO

