

BENTLEYSECTION SEXHAUST SYSTEM

Containing:-

- GROUP 1. PIPES AND SUSPENSION  
2. SILENCERS  
3. TWIN EXHAUST SYSTEM

## GROUP S1. PIPES AND SUSPENSION

Comprising

BOLT, centre pipe and downtake to silencer	X.10	K	210/Z	12	
BOLT, centre pipe suspension	X.11	K	309/Z	2	
BOLT, downtake bracket	X.10	K	205/Z	2	
BOLT, downtake to manifold	X.11	K	310/Z	6	
BOLT, pipe suspension	X.11	K	308/Z	14	
CLIP, extension tail pipe	1	RE	4754	1	
JOINT, downtake to manifold	2	EB	4468	2	
JOINT, manifold to crankcase	3	EB	4039	6	
JOINT, silencer	4	EW	2002	3	
JOINT, swan neck	5	EW	2003	1	
LINK, crankcase to downtake, front suspension, LC		RE	8310	1	
LINK, crankcase to downtake, front suspension, LC		RE	8311	1	
MANIFOLD, front, LC		RE	8308	1	
MANIFOLD, front, RC	6	EB	3813	1	
MANIFOLD, rear, LC		RE	8309	1	
MANIFOLD, rear, RC	7	EB	3814	1	
NUT, .250" dia., bracket, downtake, centre pipe	X.21	K	4008/Z	18	
NUT, .312" dia., downtake to manifold	X.21	K	4009/Z	6	
NUT, manifold to crankcase	8	EW	1833	12	
NUT, .312" dia., pipe suspension	X.24	K	4313/Z	17	
PIECE, distance, crankcase to downtake support, LC		RF	513	1	
PIECE, distance, suspension	9	E	50662	8	
PIPE, centre, assembly, (when upright bracket is fitted)		RE	4721	1	
PIPE, centre, assembly, (when horizontal bracket is fitted)	10	RE	5914	1	
PIPE, downtake, assembly, LC		RE	8294	1	
PIPE, downtake, assembly, RC	11	RE	4672	1	
PIPE, tail, assembly		RE	13531	1	•
PIPE, tail, assembly	13	RE	9991	1	
PIPE, tail, extension, 6" long	12	RE	4730	1	•
PIPE, tail, extension, 12" long		RE	18095	1	•
PIPE, tail, extension, 12" long, cranked		RE	18096	1	•
PLATE, suspension, front, RC	14	RE	4751	1	
PLATE, suspension, front, LC		RE	8523	1	
PLATE, suspension, retaining	15	EW	1332	32	
SUSPENSION, rubber	16	EB	3559	4	
WASHER, asbestos, downtake support	17	EB	3560	2	
WASHER, asbestos, suspension bracket	18	RE	3504	4	
WASHER, manifold to crankcase	X.85	K	4407/Z	12	
WASHER, packing, suspension	19	FW	991	2	
WASHER, spring, .250" dia.	X.87	K	9008/Z	18	
WASHER, spring, .312" dia., suspension	X.87	K	9009/Z	23	

NOTE:- • used on Coachbuilt cars.

## GROUP S2. SILENCERS

Comprising

CLIP, front, silencer lagging	1	RE	3760	3	
CLIP, rear silencer, lagging	2	RE	3761	2	
COVER, lagging, front silencer, top	3	RE	11512	1	•
COVER, lagging, front silencer, bottom		RE	13640	1	•
COVER, lagging, rear silencer	4	EB	4693	2	
LAGGING, front silencer, end	5	EW	2032	2	
LAGGING, front silencer, main	6	EW	2028	1	

GROUP S2. (Continued overleaf)

## GROUP S2. SILENCERS (Continued)

LAGGING, rear silencer	7	EB 4694	1
SILENCER, front, assembly	8	RE 3746	1
SILENCER, rear, assembly	9	RE 3747	1

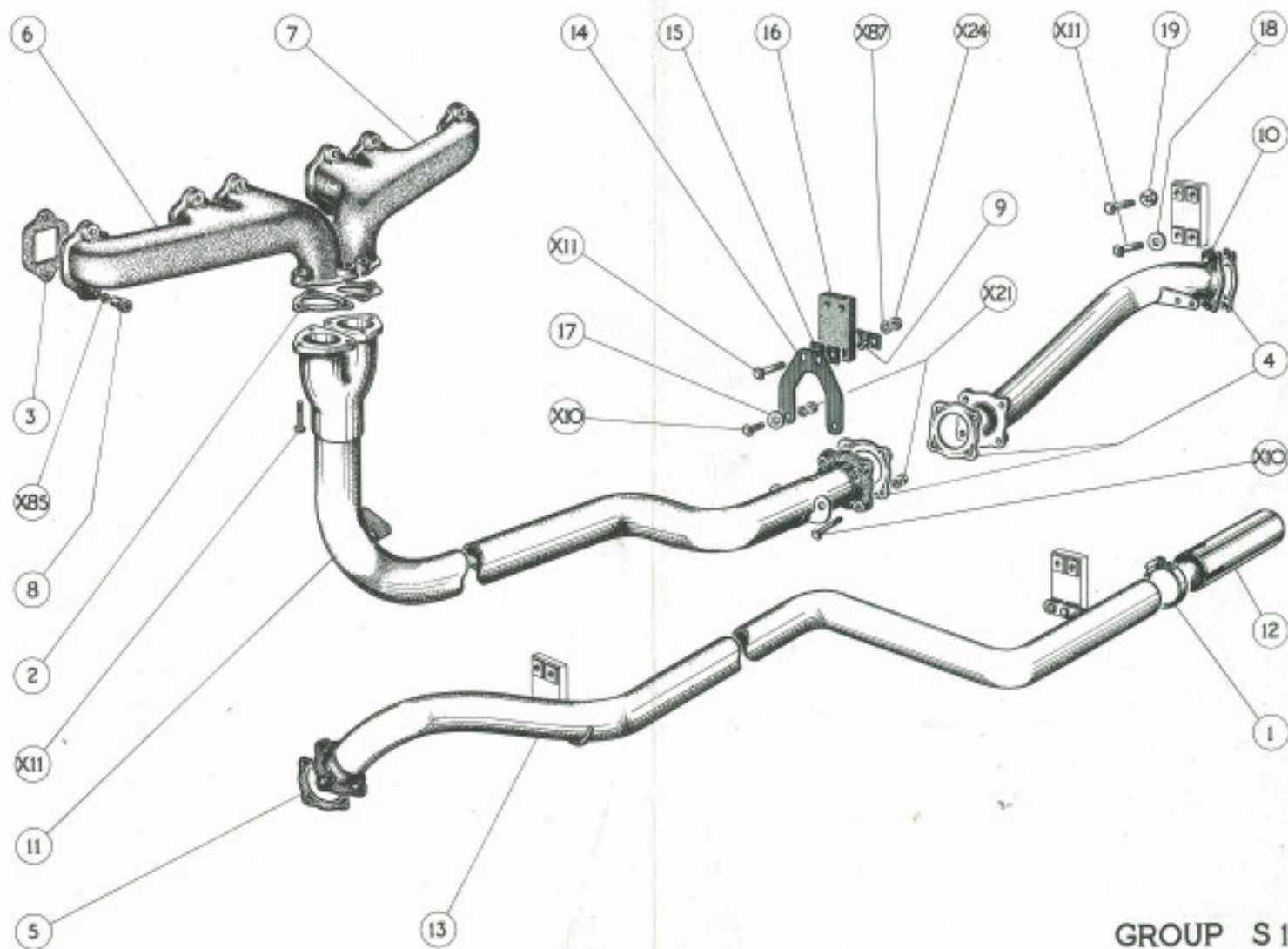
NOTE:- • Top and bottom covers are now welded to the end covers.

## GROUP S3. TWIN EXHAUST SYSTEM

Comprising

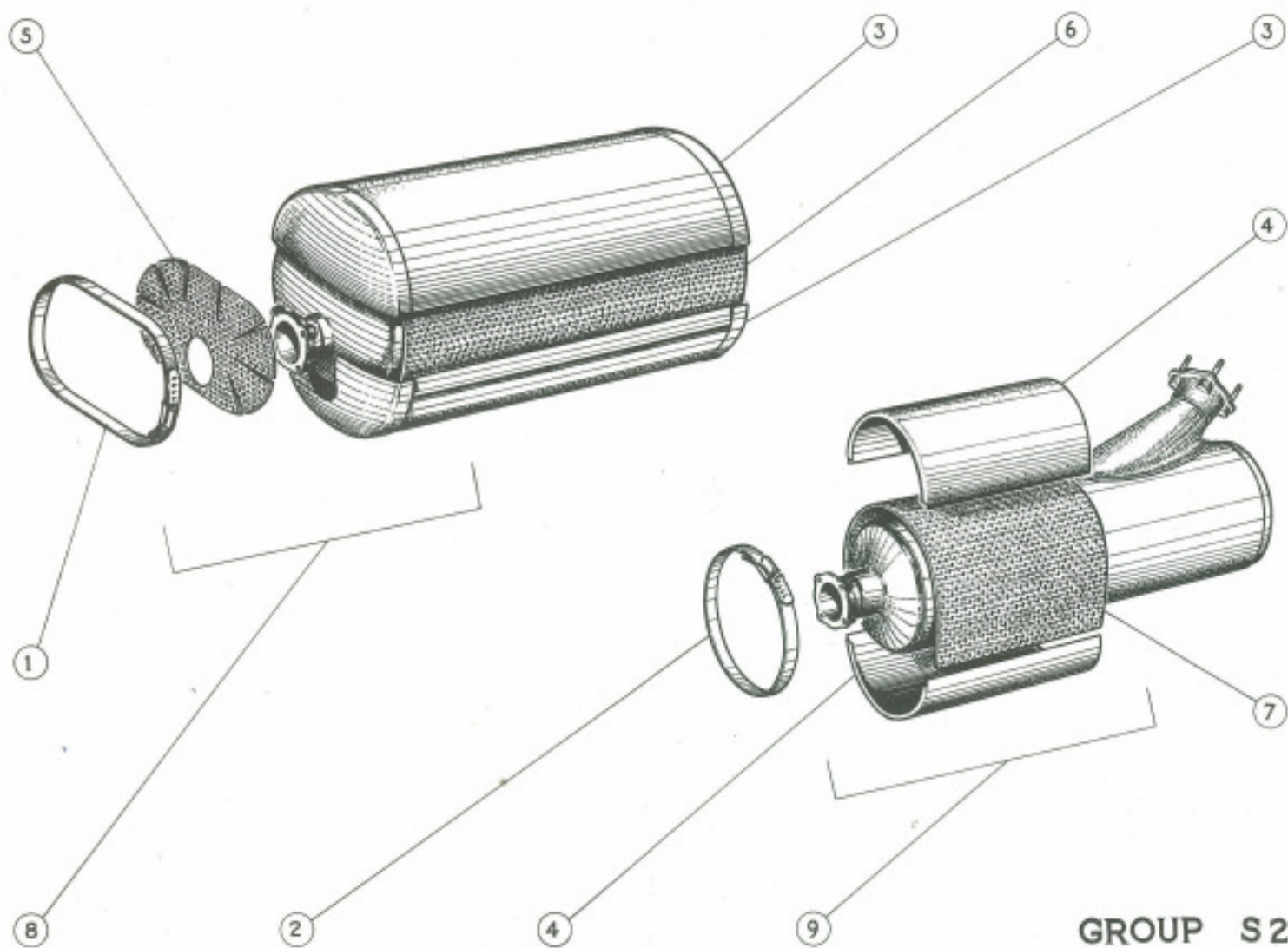
BOLT, .312" dia., downtake	X.11	K 326/Z	1
BOLT, .250" dia., downtake, cruciform	X.10	K 241/Z	16
BOLT, .250" dia., flanges	X.10	K 209/Z	8
BOLT, .312" dia., flanges	X.11	K 307/Z	12
BOLT, .312" dia., manifold	X.11	K 310/Z	6
BOLT, .250" dia., suspension	X.10	K 208/Z	12
BOLT, .250" dia., tail pipe	X.10	K 204/Z	4
BRACKET, cruciform	1	RE 11470	1
BRACKET, intermediate pipe	2	RE 11469	1
BRACKET, intermediate tail pipe	3	RE 11461	2
BRACKET, tail pipe, L.H.	4	RE 11587	1
BRACKET, tail pipe, R.H.	5	RE 11471	1
BRACKET, downtake rear support		RE 11460	1
CLIP, extension, tail pipe		RE 4754	1
CLIP, Jubilee, lagging		RE 5601	6
CLIP, pipe	6	RE 11463	2
CLIP, pipe, downtake	7	RE 5502	2
COVER, lagging, front silencer, L.H. half		RE 11433	2
COVER, lagging, front silencer, R.H. half		RE 11432	2
JOINT, downtake pipe	8	EB 4468	2
JOINT, flanges	9	RE 11468	6
JOINT, front, silencer	10	RE 5309	2
JOINT, manifold to crankcase		EB 4039	6
LAGGING, front silencers		RE 11439	2
LAGGING, small end		RE 11437	4
LAGGING, large end		RE 11438	2
NUT, .312" dia., downtake, flanges	X.24	K 4313/Z	13
NUT, .312" dia., manifold to pipe	X.21	K 4009/Z	6
NUT, .250" dia., suspension, flanges	X.24	K 4310/Z	40
PIECE, distance, downtake	11	RE 5501	1
PIECE, distance, suspension	12	RE 11465	12
PIPE, downtake, L.H.	13	RE 11426	1
PIPE, downtake, R.H.	14	RE 5478	1
PIPE, intermediate tail, L.H. assembly	15	RE 11447	1
PIPE, intermediate tail, R.H. assembly	16	RE 11446	1
PIPE, tail, L.H. assembly	17	RE 11453	1
PIPE, tail, R.H. assembly	18	RE 11452	1
PIPE, tail, extension, cranked		RE 10879	1
PIPE, tail extension, straight		RE 18080	1
PLATE, holding, suspension	19	RE 11464	24
PLATE, support	20	RE 11462	1
SILENCER, front, L.H.	21	RE 11429	1
SILENCER, front, R.H.	22	RE 11428	1
SILENCER, rear, L.H. assembly	23	RE 11445	1
SILENCER, rear, R.H. assembly	24	RE 11444	1
SUSPENSION, rubber	25	RE 11466	6
WASHER, asbestos	26	RE 11467	2
WASHER, plain, .250" dia., bracket	X.84	KB 3905/Z	6
WASHER, spring, .250" dia.	X.87	K 9008/Z	40
WASHER, spring, .312" dia.	X.87	K 9009/Z	19

NOTE:- ☒ Used on Coachbuilt cars.



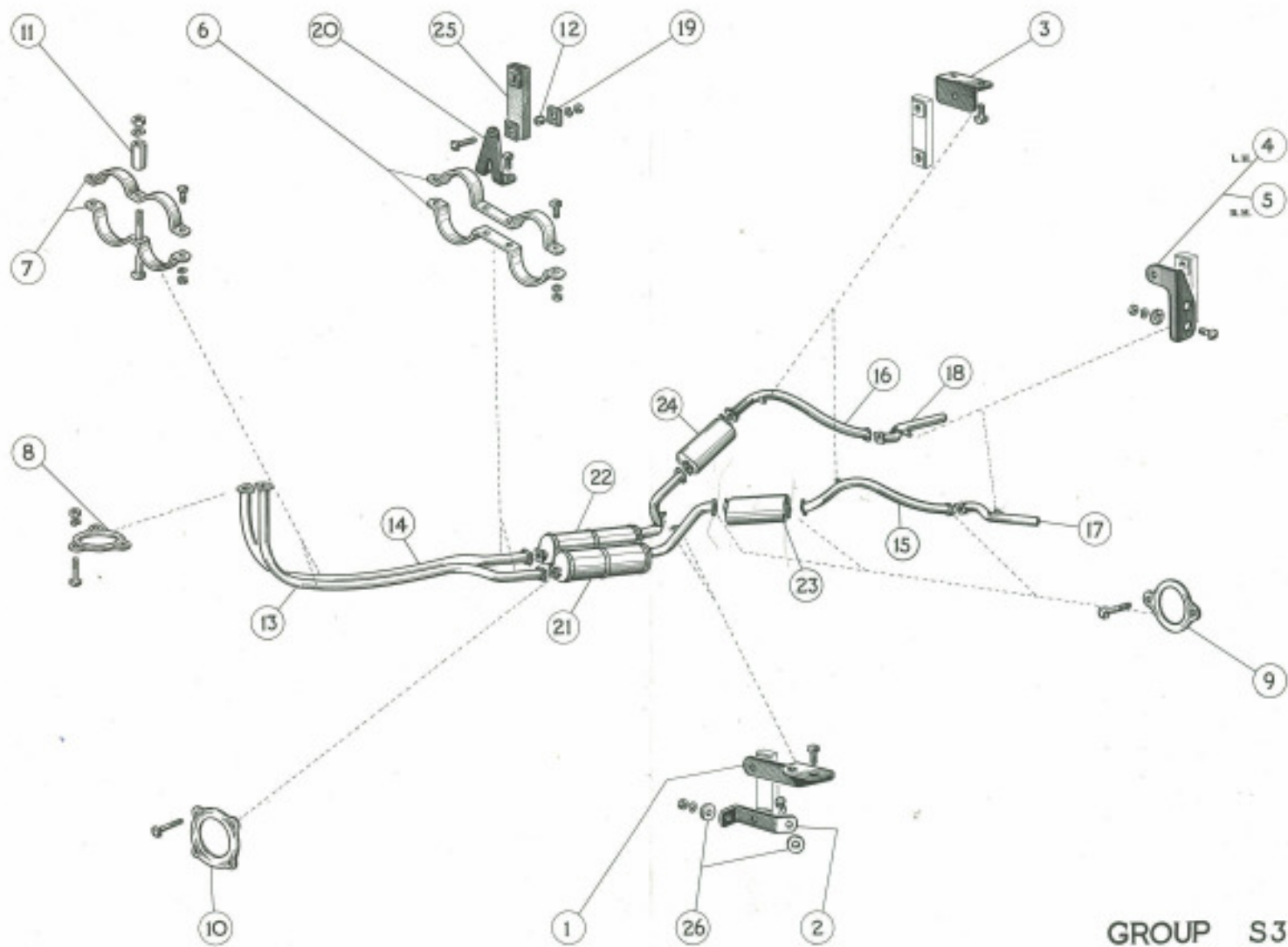
GROUP S 1





GROUP S2





GROUP S3

