

BENTLEY VI.SECTION P.FUEL AND CARBURATION.

Containing:-

GROUP	
	1. CARBURETTER STROMBERG.
	1A. CARBURETTER SU.
	2. CONTROLS.
	2A. CONTROLS - LC.
	3. FILTER, TANK TO PUMP.
	4. MANIFOLD INDUCTION STROMBERG.
	4A. MANIFOLD INDUCTION - SU.
	5. PEDAL, ACCELERATOR (R.C.).
	5A. PEDAL, ACCELERATOR (L.C.).
	6. PIPES.
	7. PUMP.
	8. SILENCER AIR INTAKE - SU CARBURETTER (R.C.).
	8A. SILENCER AIR INTAKE - AIR CLEANER. SU. CARBURETTER (SPECIAL PARTS ONLY) (R.C.).
	8B. SILENCER, AIR INTAKE, STROMBERG CARBURETTER (L.C.).
	8C. SILENCER, AIR INTAKE - AIR CLEANER. STROMBERG CARBURETTER (SPECIAL PARTS ONLY).
	9. TANK FUEL.

KEY TO CHASSIS NOTES.

Used on	A,B,C,D,F, & G Series.	
" " B-HR	2-250.	
" " B-HP	1-55, 71-81	= F
Used on B-HP	57-69, 83 Onwards.	= G
Used on	A,B,C & D Series.	
" " B-EY	2-500.	
" " B-EW	1-249, 265-271.	= H
Used on B-EW	251-263, 273 Onwards.	= J
Used on	A,B,C & D Series.	= K
Used on	E Series Onwards.	= L
Used on	A Series only.	= M
Used on	B,C,D & E Series.	
" " B-FV	All chassis.	= N
Used on B-FU	All chassis.	
" " B-GT	1-109	= P
Used on B-GT	111 to end.	
" " B-HR	All chassis.	
" " B-HP	1-55, 71-81.	= Q
Used on B-FU	1 onwards.	= R
Used on	A,B,C,D,E,F & G Series.	
" " B-HR	2-170.	= S
Used on B-HR	172 onwards.	= T
Used on	A,B,C,D,E & F Series.	= U
Used on B-GT	1 onwards.	= V
Used on	A,B & C Series.	
" " B-DA	2-500.	
" " B-DZ	1-191.	= W
Used on B-DZ	193 Onwards.	= X
Used on B-DZ	193-501.	
" " B-HR	E,F & G Series.	
" " B-HP	2-250.	
" " B-HP	1-55, 71-81.	= Y

Used on B-HP	57-69, 83 onwards.	
" "	J,K & L Series.	= Z
Used on	M Series onwards.	= FF.
Used on	A,B,C,D,E,F,G,H,J,K & L Series.	= GG.

GROUP P1. CARBURETTOR - STROMBERG (L.C) (Only)

Comprising:

BALL, pump discharge channel.	P.17030	1	RE.10846	
BODY, main, assembly.	38244	2	RE.11391	
BODY, throttle.	L. 1762	3	RE.11392	
BRACKET, thermostat.	L. 1229	4	RE.10877	
BRACKET, spring, anchor assembly, (R.C.)			RE. 6165	0
BRACKET, spring, anchor assembly, (L.C.)	L. 1673	6	RE. 9500	+
CAM, fast idler.			RE. 4463	
CARBURETTOR, A.A.V 26 ME.			RE.10757	0
CARBURETTOR, A.A.V. 26 MT.			RE. 9498	+
CARBURETTOR, A.A.V. 26 MBC (with oil bath air cleaner).			RE.10758	0
CARBURETTOR, A.A.V. 26 MV (with oil bath air cleaner).			RE. 9510	+
CLIP, float needle valve.	P.22525		RE.10837	
COIL, thermostat.	P.19309	8	RE.10845	
COLLAR, link.	L. 1125	9	RE. 8353	
COVER, auto, choke housing.	L. 1693	10	RE. 8335	
COVER, thermostat, assembly.	L. 1348	11	RE.10878	
FLOAT, assembly, with lever.	P.22433	12	RE. 7802	
GASKET, horn to body.	382255	13	RE. 7796	
GASKET, throttle body to main body.	P.24735	14	RE. 7800	
GASKET, auto choke housing.	P.23297	15	RE. 8329	
GASKET, float needle valve seat.	P. 2885	16	RE.10862	
GASKET, petrol connection union hole.	L. 1696	17	RE.10868	
GASKET, pump discharge nozzle.	P.24668	18	RE.10827	
GASKET, pump discharge nozzle screw.	P.17063	19	RE.10848	
GASKET, vacuum piston chamber plug.	011622	20	RE.10875	
HANGER, float.	P.22441	21	RE. 8365	
HORN, air, assembly.	L. 1714	22	RE. 9613	
HOUSING, auto choke.	L. 1711	23	RE. 8333	
JET, main discharge.	382408	24	RE. 7806	
JET, metering, .040" (over 6000 on RE.9510)		25	RE. 9896	
JET, metering, .041" (3000-6000 ft. on RE.9510)				
JET, metering, .041" (4000-7000 ft. on RE.9498)			RE. 7798	
JET, metering, .042" (0-3000 on RE.9510)			RE. 9789	
JET, metering, .045" (0-4000 on RE.9510)			RE. 9842	
JET, power bye pass No.54 (on RE.9498)	P.21197	26	RE. 7799	
JET, power bye pass No.57 (on RE.9510)	P.23348		RE. 7797	
JOINT, ball assembly.	L. 1524	27	RE.10866	
LEVER, and spindle thermostat, assembly.	L. 1716	28	RE.10859	
LEVER, choke stem, fast idle connection.	P.22790	29	RE.10840	
LEVER, fast, idling, cam.		30	RE. 4464	
LEVER, pump.	P.24677	31	RE. 8327	
LEVER, strangler, control.		34	RE. 5040	
LEVER, spring, pull off, assembly.			RE. 6982	0
LEVER, spring, pull off, assembly.			RE. 9502	+
LEVER, throttle, assembly.			RE. 9501	+
LEVER, with vacuum piston, assembly.	L. 1712	37	RE. 8328	
NEEDLE, and seating (including clip and gasket.	P.22499	41	RE. 7809	
LINK, throttle pull off spring			RE. 9493	+
NOZZLE, pump discharge.	P.24594	42	RE.10834	
NUT, lock, choke rod.	P.16639		K. 4307	

GROUP P1. (Continued Overleaf).

GROUP P1. CARBURETTOR - STROMBERG (L.C) (only).

(Contd.)

NUT, throttle, spindle.	05581	K.	4310
PIN, cotter.	L. 1223	43	RE.10876
PIN, cotter collar.	L. 1126	K.	4646
PIN, cotter, fast idle rod.	P. 1937	44	RE.8322
PIN, fulcrum float.	P.22349	45	RE.8364
PIN, split	06893	46	RE.10871
PIN, split, pump rod and link.			K. 4601/2
PIN, stop thermostat.	L. 1570	47	RE.10867
PISTON, power vacuum.	P.22805	48	RE. 8330
PLUG, check valve	P.24678	49	RE.10830
PLUG, float level sight	P. 6406	50	RE. 8325
PLUG, vacuum, piston channel.	L. 1713	52	RE.10870
PLUG, vacuum, piston stop screw.	09934	53	RE.10873
PLUG, vacuum, spark control.	P.26	54	RE. 8324
PUMP, piston assembly	382443	55	RE. 7807
RING, snap, fast idle cam.	P.23974	56	RE.10833
ROD, choke control.	L. 1720	57	RE.10860
ROD, fast idle.	382890	58	RE. 8323
ROD, pump assembly	P.22620	59	RE.10838
SCREW, adjusting, vacuum piston stop	07796	60	RE.10872
SCREW, air horn.	P. 2475	61	RE. 8318
SCREW, auto choke housing.	P.12016	62	RE. 8331
SCREW, auto choke housing cover	903900/K1	63	RE. 8336
SCREW, choke valve.	P. 4522	64	RE. 8334
SCREW, idle adjusting.	P.19103	65	RE.10844
SCREW, main body.	P. 709	66	RE.8319
SCREW, pump discharge nozzle.	P.24669	67	RE.10829
SCREW, pump lever fulcrum	P.20611	68	RE. 8321
SCREW, spring anchor bracket.	L. 1700	69	RE.8326
SCREW, throttle valve.	010351	70	RE.8362
SPINDLE, throttle.	L. 1664	71	RE.8368
SPRING, follow up.	P.22870		RE.10841
SPRING, idle adjusting screw.	P.15831	72	RE.10856
SPRING, idle needle valve.	P.18710	73	RE.8361
SPRING, packing retainer.	P.22643		RE.10839
STRAINER, check valve.	P.23858	75	RE.10842
STRAINER, petrol			RE.10832
STRIP, connecting.			RE.9343
TUBE, idle.	P.19424	77	RE.7801
VALVE, check assembly.	P.18144	79	RE.10843
VALVE, choke.	P.23913	80	RE.8332
VALVE, idle needle.	P.15478	81	RE.8352
VALVE, throttle, (5°)	L. 1754	82	RE.8363
WASHER.	P.19448	83	RE.7805
WASHER.	383080	84	RE.7803
WASHER.	383079	85	RE.7808
WASHER.	P.17060		RE.10847
WASHER.	P.16426	86	RE.10857
WASHER, cup	P.22045		RE.10835
WASHER, lock, air horn.	901004	87	RE.8317
WASHER, lock, choke control cover.	L. 1474	88	RE.10865
WASHER, lock, choke housing screw.	P.15346	89	RE.10855
WASHER, lock, main, body attachment.	901006	90	RE.8337

GROUP P1 (Continued Overleaf)

GROUP P1. CARBURETTOR - STROMBERG (L.C) (only)

(Contd.)

WASHER, lock, throttle spindle.	04691	K.	9008/Z	
WASHER, packing.	P.17380	RE.	10849	
WASHER, packing.	L. 1811	RE.	10861	
WASHER, pump rod.	P. 9394	91	RE.10864	
WASHER, spring, pump lever fulcrum screw.	P.19820	92	RE. 8320	
WASHER, spring, retainer.	P.22046	E.	10836	
WASHER, spring, throttle screw.	04692	RE.	10879	

NOTE: @ These parts are fitted only when throttle pull off spring is on same side as throttle lever.

+ These parts are fitted when the throttle pull off spring is fitted on the opposite side to the throttle lever.

GROUP. P1A. CARBURETTOR - SU (2 off except handed items).

comprising:

BEARING, jet, bottom.	(3231)	1	RE. 8389	1	
BEARING, jet, top.	(3230)	2	RE. 8390	1	
BODY, carburettor, assembly.		3	RE. 8411	1	F
BODY, carburettor, assembly.	(4669/3)		RE.14744	1	G
BOLT, 3BA, control lever.		X.8	K.3629/Z	1	
BOLT, banjo.	(698)	4	RE. 8400	1	
BOLT, float chamber.	(1541)	5	RE. 8384	1	
CARBURETTOR, complete, front.			RE. 7044	1	F
CARBURETTOR, complete, front (O.B. air cleaner).			RE. 7217	1	F
CARBURETTOR, complete, front.			RE.9594	1	G@
CARBURETTOR, complete, front (O.B. air cleaner).			RE.13944	1	G
CARBURETTOR, complete, front.			RE.14615	1	G+
CARBURETTOR, complete, rear.			RE.7045	1	F
CARBURETTOR, complete, rear (O.B. air cleaner).			RE. 7218	1	F
CARBURETTOR, complete, rear.			RE. 9595	1	G@
CARBURETTOR, complete, rear (O.B. air cleaner).			RE.13943	1	G
CARBURETTOR, complete, rear.			RE.14616	1	G+
CHAMBER, float assembly.		6	RE. 8412	2	F
CHAMBER, float assembly.			R. 3778	2	G
CHAMBER, suction, assembly.		7	RE. 8413	1	F
CHAMBER, suction, assembly.			RE.14743	1	G
COLLAR, spring, to pin.		8	RE. 3525	1	
COUPLING, carburettor.		9	RE.4393	2	F
COUPLING, carburettor.			RE.9592	2	G@
COUPLING, carburettor front.	(4596)		RE.13595	1	G+
COUPLING, carburettor rear.	(4597)		RE.13592	1	G+
DAMPER, assembly.		10	RE. 8395	1	F
DAMPER, assembly.			RE.15871	1	G
DISC, throttle.	(3116)	11	RE. 8410	2	F
DISC, throttle.	(3280)		RE.14734	2	G
FILTER, float chamber.	(139)	12	RE. 8399	2	

GROUP P1A, (Continued Overleaf).

GROUP P1A. CARBURETTER - SU (2 off except handed items).

(Contd.)

FLOAT.	(1123)	13	RE.7286	2	
JET, and head.		14	RE.7296	2	
LEVER, hinged	(1980)	15	RE.7290	2	
LEVER, jet front	(4199)	16	RE.8393	1	
LEVER, jet rear	(4231)	17	RE.8392	1	
LEVER, throttle, front carburetter, with ball pin		18	RE.6320	1	
LEVER, throttle, rear carburetter with plain pin RE.3670 assembly.		19	RE.13638	1	FGO
LEVER, throttle, rear carburetter with plain pin, RE.3670 assembly			RE.12579	1	G+
LID, float chamber	(1161)	20	RE.8501	2	F
LID, float chamber front	(4261)		RE.14725	1	G+
LID, float chamber front	-		-	1	GO
LID, float chamber rear	(4260)		RE.14724	1	G+
LID, float chamber rear	-		-	1	GO
LINK, jet	(3419)	21	RE.8391	2	F
LINK, jet			RE.9583	2	G
LINK, spring		22	E.51877	1	FGO
LINK, spring			RE.14157	1	G+
NEEDLE, jet (S.C.)		23	RE.8743	2	F
NEEDLE, jet (SF) (O.B.air cleaner).			RE.8565	2	
NEEDLE, jet (S.P.)			RE.16111	2	G
NUT, adjusting, jet.	(121)	24	RE.8377	2	
NUT, fixing, lid.	(1867)	25	RE.8383	2	F
NUT, fixing, lid.	(4687)		RE.14727	2	G
NUT, half, 3 BA, control lever		X24	K.4304/Z	1	
PIECE, distance, throttle spindle.		26	RE.3461	1	F
PIECE, distance, throttle spindle.			RE.9593	1	GO
PIN, hinged lever.	(1153)	27	RE.7285	1	
PIN, long	(1555)	28	RE.8381	1	
PIN, short	(1554)	29	RE.8380	1	
PIN, split	(109)	30	RE.8379	1	
PIN, split, spring collar.		X31	K.4646/Z	1	
PIN, split, tickler	(1175)	31	RE.8382	1	
PIN, taper	(106)	32	RE.8406	1	
PIN, taper, coupling and lever	(1149)	X32	K.4851	3	
PIN, tickler		33	RE.7284	1	
PIPE, air bleed assembly, rear.				1	GO
PIPE, air bleed assembly, front				1	GO
PIPE, air bleed assembly, rear.	(AS.4801)		RE.14733	1	G+
PIPE, air bleed assembly, front.			RE.14730	1	G+
SCREW, adjusting.	(521)	34	RE.8407	2	FGO
SCREW, adjusting.			RE.8407	1	G+
SCREW, chamber to body long.	(145)	35	RE.8397	3	
SCREW, chamber to body short.	(175)		RE.8398	3	
SCREW, chamber to body.			RE.8398	6	
SCREW, jet.	(3232)	36	RE.8388	1	
SCREW, needle.	(468)	37	RE.8396	2	F
SCREW, needle.	(269)		R.3727	2	
SCREW, throttle disc.	(1358)	38	RE.8409	1	

GROUP P1A (Continued overleaf)

GROUP P1A. CARBURETTOR - SU (2 off except handed items)

(Contd.).

SEATING, needle - bush and needle.		.39	RE.7295	1	
SPINDLE, throttle front	(4076)	40	RE.8404	1	F
SPINDLE, throttle front	-	-	-	1	G0
SPINDLE, throttle front	(4715)		RE.14721	1	G+
SPINDLE, throttle rear.	(4078)	41	RE.8403	1	F
SPINDLE, throttle rear.	-	-	-	1	G0
SPINDLE, throttle rear.	(4716)		RE.14720	1	G+
SPRING, adjusting.	(451)	42	RE.8408	1	
SPRING, adjusting, nut.	(114)	43	RE.8378	1	
SPRING, gland.	(1158)	44	RE.8387	1	
SPRING, throttle.		45	EB.3429	1	
SPRING, jet return.		46	RE.5259	1	
SPRING, tickler	(1151)	47	RE.7293	2	
STOP, throttle.	(199)	48	RE.8405	2	FG0
STOP, throttle.			RE.8405	1	G+
WASHER, air vent (alum)	(1557)	49	RE.7289	2	
WASHER, air vent (fibre)	(1928)	50	RE.7297	2	
WASHER, bolt.	(1542)	51	RE.7291	2	F
WASHER, bolt.	(4642/1)		RE.14726		G
WASHER, bottom, jet bearing.	(3233)	52	RE.8386	2	
WASHER, float chamber to body.	(3520)	53	EB.4933	2	
WASHER, float damper to lid.	(1147)	54	RE.7283	2	
WASHER, float damper union.	(3521)	55	EB.4580	4	
WASHER, jet gland brass.	(119)	56	RE.7288	2	F
WASHER, jet gland brass			RE.14723	4	G
WASHER, jet gland, cork.	(120)	57	RE.7294	1	F
WASHER, jet gland, cork.	(118)	58	RE.7287	1	
WASHER, sealing, brass.	(117)	59	RE.8385	1	
WASHER, spring, 3 BA control lever		X87	K.9005/Z	1	
WASHER, top, jet bearing.	(122)	60	RE.7292	1	

NOTE: 0 For use when throttle pull off spring is at rear of, rear carburettor.

+ For use when throttle pull off spring is at front of rear carburettor.

GROUP P2 CONTROLS.

Comprising:

BODY, ball joint		1	E.70594	11	
BOLT, countersunk head, ball joint body locking		2	RE.3520	11	
BOLT, 3 BA, lever to steering countershaft		X.8	K.3630/Z	1	
BOLT, 3 BA, throttle and mixture levers		X.8	K.3629/Z	3	
BOLT, 2 BA, accelerator lever		X.9	K.131/Z	1	
BOLT, 2 BA, carburettor front coupling		X.9	K.132/Z	1	
BOLT, 2 BA, hand throttle lever		X.9.	K.133/Z	1	
BOLT, .250" dia., dashboard countershaft bracket		X.10	K.241/Z	2	

GROUP P2 (Continued Overleaf)

GROUP P2. CONTROLS. (Contd.)

BOLT, .250" dia., dashboard countershaft bracket (L.H. side of dashboard)	X.10	K.202/Z	2	H
BOLT, .250" dia., frame countershaft bracket.	X.10	K.205/Z	2	
BRACKET, L.H., countershaft to dashboard assembly with 1 off bush EB.903	3	EB.5148A	1	H
BRACKET, L.H., countershaft to dashboard assembly with 1 off bush RE.10110		RE.11257	1	J
BRACKET, R.H., countershaft to dashboard assembly with 1 off bush EB.903	4	EB.5185A	1	H
BRACKET, R.H., countershaft to dashboard assembly with 1 off bush RE.10110		RE.11258	1	J
BRACKET, frame countershaft assembly with 2 off bush RE.7215	5	RE.5263A	1	
BRACKET, steering column countershaft assembly with 2 off bush RE.3535	6	RE.3551A	1	
COUNTERSHAFT, dashboard assembly including pegged lever	7	RE.5282A	1	H
COUNTERSHAFT, dashboard assembly including pegged lever		RE.10111A	1	J
COUNTERSHAFT, frame assembly, including pegged lever	8	RE.5262A	1	
COUNTERSHAFT, inner steering column assembly with pegged lever.	9	RE.5277A	1	
COUNTERSHAFT, outer steering column assembly with pegged lever and bush	10	RE.3537A	1	
COUPLING, carburetter, front.	11	RE.6007	1	L
COUPLING, carburetter, front		RE.4895	1	K
JAW, control rod, 2 BA.	X.17	KB.1115/Z	7	
LEVER, bellcrank, assembly	12	RE.9117	1	F
LEVER, bellcrank, assembly		RE.16745	1	G
LEVER, cranked, mixture control assembly.	13	RE.5264A	1	
LEVER, frame countershaft	14	RE.3451	1	
LEVER, hand throttle, steering column assembly.	15	RE.9668	1	
LEVER, mixture control, steering column assembly	16	RE.9667	1	
LEVER, pedal operated, dashboard countershaft assembly with bush	17	RE.3450A	1	
LEVER, steering, countershaft assembly	18	EW.797A	1	
LEVER, throttle, countershaft, assembly, with:	19	RE.5267A	1	
Bush		RE.4668	1	
Pin, ball		RE.3527	1	
LEVER, throttle pick-up dashboard countershaft.	20	RE.5260		
NUT, ball joint body locking bolt.	21	RE.3667	11	
NUT, full, 2 BA, coupling	X.21	K.4006/Z	1	
NUT, half, 3 BA, lever bolt	X.24	K.4304/Z	4	
NUT, half, 2 BA, control jaws, levers, ball joint body and coupling.	X.24	K.4307/Z	22	
NUT, half, .250" dia., countershaft bracket	X.24	K.4310/Z	6	H
NUT, half, .250" dia., countershaft bracket		K.4310/Z	4	J
PIECE, distance, dashboard countershaft	22	RE.5293	1	H
PIECE, distance, dashboard countershaft		RE.8546	1	J
PIN, bearing, control jaw (replaces plain pin formerly used).	X.30	KB.4507/Z	7	

GROUP P.2. (Continued Overleaf)

GROUP P2. CONTROLS. (Contd.)

PIN, split, .062" dia., control rod jaw pin	X.31	K.4601/Z	13	H
PIN, split, .062" dia., control rod jaw pin	X.31	K.4601/Z	7	J
ROD, control, accelerator pedal to frame countershaft	23	E.72588	1	F
ROD, control, bracket to carburetter	24	RE.4720	1	G
ROD, control, bracket to carburetter		RE.9598	1	
ROD, control, bellcrank to carburetter	25	RE.3448	1	
ROD, control, bellcrank to dashboard countershaft	26	RE.5275	1	
ROD, control, frame to dashboard countershaft	27	EB.3959	1	
ROD, control, mixture control linkage front to rear carburetter.	28	RE.3518	1	
ROD, control, steering bracket to dashboard	29	RE.5276	1	
ROD, control, steering countershaft to bracket and mixture control to steering countershaft	30	RE.5274	2	
SCREW, adjustable, ball joint	31	E.70595	11	
SCREW, coupling	32	RE.6011	1	L
SCREW, set, .250" dia., countershaft bracket		KC.902/Z	2	J
SHAFT, coupling, carburetters, assembly	33	RE.5806	1	K
SHAFT, coupling, carburetters, assembly		RE.6014	1	L
WASHER, spring, 3 BA, lever retaining bolt	X.87	K.9005/Z	4	
WASHER, spring, 2 BA, coupling, levers and accelerator pedal	X.87	K.9006/Z	4	
WASHER, spring, .250" dia., bolt	X.87	K.9008/Z	6	

GROUP P2A. CONTROLS (L.C.) (STROMBERG CARBURETTER).

Comprising:

ADJUSTER, rod	1	RE.11094	1	+
BEARING, spherical	2	RE.7739	2	
BODY, ball joint		E.70594	3	
BOLT, countersunk head, ball joint body, locking		RE.3520	3	
BOLT, 2BA, bracket bell-crank lever	X.9	KA.102/Z	4	
BOLT, 3BA, spherical bearing		K.3601/Z	4	
BRACKET, bell-crank lever	3	RE.7595	1	
BRACKET, throttle cross shaft	4	RE.7592	2	
BRACKET, upper, hand throttle control	5	RF.6463	1	
BUSH, upper countershaft	6	RG.5100		
COLLAR, .1875" dia., hand throttle control shaft		KB.1178/Z	1	
HOOK, throttle return spring (when return spring is fitted on dash upper countershaft).		RG.5050	2	
HOUSING, spherical bearing	7	RE.7740	4	
JAW, countershaft to carburetter rod	8	RE.10069	1	
JAW, rod, lower to upper countershaft		KB.1115/Z	2	
LEVER, bell-crank, upper countershaft assembly with spindle bushes	9	RE.11370	1	
LEVER, throttle accelerator pedal with ball pin	10	RE.7594	1	
LEVER, throttle, control assembly	11	EB.4881	1	
LINK, throttle, spring, (when throttle pull off spring is fitted on dash upper countershaft.)		RE.7580	1	
LINK, hand, throttle	12	RE.7734	1	

GROUP P2A. (Continued Overleaf).

GROUP P2A. CONTROLS (L.C.) STROMBERG CARBURETTER (Contd.)

NUT, half, 2 BA, L.H. thread, adjuster rod.		KB. 5052/Z	1	+
NUT, half, 2 BA, R.H. thread, adjuster rod.		K. 4307/Z	1	+
NUT, ball joint, body locking bolt.		RE. 3667	3	
NUT, 2 BA, control jaws, levers, ball joint body, brackets, etc.		K. 4307/Z	8	
NUT, 3 BA, spherical bearing housing.		K. 4304/Z	4	
PIN, plain, .187" dia., hand throttle control link.		KB. 4507/Z	2	
PIN, plain, .187" dia., (when throttle pull off spring is fitted on dash upper countershaft.)		KB. 4507/Z	1	
PIN, plain, .187" dia., (when throttle pull off spring is fitted on dash upper countershaft.)		KB. 4508/Z	1	
PIN, plain, .187" dia., (when throttle pull off spring is deleted from upper countershaft.)		KB. 4507/Z	2	
PIN, plain, .3125" dia., rod upper counter- shaft to carburetter.		KB. 4559/Z	1	
PIN, split, .062" dia., rod upper to lower countershaft and link, hand throttle control.		K. 4601/Z	4	
PIN, split, .062" dia., shaft, hand throttle control.		KA. 4602/Z	1	
PIN, split, .125" dia., rod upper countershaft to carburetter.		K. 4643/Z	1	
ROD, adjuster to countershaft.	13	RE. 11096	1	+
ROD, upper countershaft to carburetter.	14	RE. 10070	1	
ROD, upper to lower countershaft.	15	RE. 7581	1	
ROD, pedal to adjuster.	16	RE. 11095	1	+
ROD, pedal to lower countershaft.		RE. 7588	1	⊖
SCREW, adjusting ball joint.		RE. 70595	3	
SCREW, 2 BA, bracket hand control.		KC. 152/Z	2	
SCREW, 2 BA, cross shaft bracket.		KC. 170/Z	4	
SHAFT, cross, accelerator, assembly, including levers.	17	RE. 7744	1	
SHAFT, handle throttle assembly, including levers.	18	RE. 7738	1	
SPRING, throttle control (when throttle pull off spring is fitted on dash upper countershaft).		GB. 5097	1	
SPINDLE, bracket bell-crank lever.	19	RE. 7586	1	
STIFFENER, bracket, bell-crank lever.	20	RE. 7587	2	
WASHER, plain, .200" dia., cross shaft (1), bracket upper hand throttle control (2).		K. 4404/Z	3	
WASHER, spring, 2 BA, cross shaft (4), bell-crank (4), upper hand throttle control bracket (2), hand throttle control lever (1).		K. 9006/Z	11	
WASHER, spring, 3 BA, housing spherical bearing.		K. 9005/Z	4	

NOTE: + For use when adjuster is fitted between
accelerator pedal and lower countershaft.

⊖ For use when adjuster is not fitted between
accelerator pedal and lower countershaft.

GROUP P3, FILTER TANK TO PUMP.

Comprising:

BODY, filter assembly, consisting of:	1	FW.1660A	1	
Body.		FW.1660	1	
Stud, .250" dia., support bracket		KB.350/Z	2	
Tube, inlet		E.88181	1	
GAUZE.	2	F.86423	2	
COVER, filter body.	3	F.88175	1	
NUT, full, .250" dia., body to bracket retaining	X.21	K.4008/Z	2	
NUT, gauze retaining	4	F.88176	1	
PLUG, drain	5	F.88180	1	
PLUG, .500" dia., filter body	X.27	KB.1061	1	
RING, spring, filter gauze retaining	6	F.88183	1	
STRAP, filter cap retaining, assembly consisting of:	7	F.88734A	1	
Piece, pressure.		F.61120	1	
Screw, thumb.		F.88733	1	
Strap		F.88734	1	
UNION, inlet to body	8	FW.1518	1	
UNION, outlet from body	X.80A	KB.3044	1	
WASHER, aluminium, .312" dia., drain plug	X.83	KB.1077	1	
WASHER, aluminium, .625" dia., adaptor filter outlet.	X.83	KB.1081	1	
WASHER, aluminium, .750" dia., inlet union	X.83	K.1091	1	
WASHER, brass, .500" dia., filter body plug	X.80	KB.4420	1	
WASHER, cork, filter cap seal.	9	F.89195	1	
WASHER, distance, filter gauze	10	F.88184	1	
WASHER, plain, brass.	11	F.88182	1	
WASHER, spring, .250" dia. body to bracket retaining stud.	X.87	K.9008/Z	2	

GROUP P.4. MANIFOLD INDUCTION -STROMBERG.

Comprising:

ADAPTOR, pipe to manifold.	X.80A	KB.3041/Z	1	R
JOINT, coolant, elbow	1	RE.151	1	
MANIFOLD, induction, assy, consisting of:	2	RE.5169A	1	MN
Pipe, induction		RE.5169	1	
Plug, core hole.		RE.9014	4	
Stud, .312" dia., carburettor retaining.		KB.406/Z	4	
Stud, .250" dia., coolant elbow retaining.		KB.355/Z	2	
Stud, .250" dia., fuel pipe clip retaining.		KB.399/Z	1	
Stud, 2 BA, hot spot cover retaining.		KB.250/Z	2	
Washer, aluminium, .750" dia. core hole plug		KB.1082	4	

GROUP P.4 (Continued overleaf.)

GROUP P4. MANIFOLD INDUCTION - STROMBERG. (Contd.)

MANIFOLD, induction assembly, as above except:		RE.10590A	1	R
Pipe, induction.		RE.10590	1	
NUT, adaptor.		KB. 3021/Z	1	R
NUT, half, 2 BA, cover retaining.	X.24	K. 4307/Z	2	
NUT, half, .250" dia., elbow and pipe clip.		K. 4310/Z	3	
NUT, half, .312" dia., carburetter retaining.		K. 4313/Z	4	
PIPE, manifold to windscreen washer.		RE.10438	1	R
PACKING, piece carburetter.		RE.16571	2	
PACKING, piece carburetter.		RE.16572	2	
SLEEVE, Enots, pipe to manifold.		KB. 3001	1	R
UNION, fuel drain.		E. 86484	1	
UNIT, thermostat choke control, assembly with control rod.		RE. 5123	1	
WASHER, aluminium, .437" dia., fuel drain union.	X.83	KB. 1079	1	
WASHER, joint, adaptor to manifold.	X.83	KB. 1078	1	R
WASHER, spring, 2 BA, cover stud.	X.87	K. 9006/Z	2	
WASHER, spring, .250" dia., elbow and pipe clip.	X.87	K. 9008/Z	3	
WASHER, spring, .312" dia., carburetter stud.	X.87	K. 9009/Z	4	

GROUP P4A. INDUCTION - SU.

Comprising:

CLIP, pipe.	1	RE.10852	2	R
JOINT, carburetter flange.	2	EB. 4232	2	F
JOINT, carburetter flange.	2A	RE.10611	2	G
JOINT, water connection.	3	EB. 3580	4	
MANIFOLD induction assembly, consisting of:		RE.3575A	1	M
Pipe,		RE. 3575	1	
Plug core hole.		RE. 9019	6	
Stud, 2 BA, water feed connection.		KB. 253/Z	8	
Stud, .250" dia., air silencer bracket.	X.70	KB. 3825/Z	4	
Stud, .375" dia., carburetter flange.	X.76	KB. 453/Z	4	
Washer, core hole plug.		KB. 1196	6	
MANIFOLD induction, assembly, as above except:		RE. 4815A	1	+N
Stud, .250" dia., air silencer bracket.		KB. 351/Z	2	
MANIFOLD, induction, assembly, as above except:		RE. 4815	1	P
Connection, windscreen washer pipe.		RE.10883	1	
Plug core hole.	3A	RE. 9019	5	
Washer, core hole plug.		KB. 1196	5	
MANIFOLD, induction, assembly as above except:	4	RE. 4815	1	Q
Stud, .250" dia., air silencer bracket.	X.68	KB. 351/Z	4	

GROUP P4A. (Continued Overleaf.)

GROUP P.4A. INDUCTION - SU. (Contd.)

MANIFOLD, induction, assembly, as above except:	4A	RE.10639	1	+G
Stud, 2BA, water feed connections.		KB.253/Z	6	
Stud, 2BA, water feed connections, and windscreen washer clip.	X.63	KB.254/Z	2	
Stud, .250" dia., air silencer bracket.	X.67	KB.399/Z	4	
Stud, .312" dia., carburetter flange.	X.73	KB.402/Z	8	
NUT, adaptor to flange.	X.25	KB.3021	1	R
NUT, full, 2BA, water connection.	X.21	K.4006/Z	8	
NUT, full, .250" dia., silencer bracket		K.4008/Z	4	M
NUT, full, .250" dia., air silencer bracket		K.4310/Z	2	N
NUT, full, .250" dia., air silencer bracket		K.4310/Z	4	PQG
NUT, half, .375" dia., carburetter flange		K.4316/Z	4	F
NUT, half, .312" dia., carburetter flange	X.24	K.4313/Z	8	G
PIPE, manifold to button	5	RE.10851	1	R
SLEEVE, pipe to manifold	6	KB.3001	1	R
WASHER, plain air silencer bracket	X.85	K.4407/Z	4	MPQG
WASHER, plain air silencer bracket adjusting	X.87	K.4407/Z		BMPQG
WASHER, spring, 2BA, water feed connections	X.87	K.9006/Z	8	
WASHER, spring, .250" dia., air silencer bracket	X.87	K.9008/Z	4	MPQG
WASHER, spring, .250" dia., air silencer bracket	X.87	K.9008/Z	2	N
WASHER, spring, .375" dia., carburetter flanges.	X.87	K.9010/Z	4	F
WASHER, spring, .312" dia., carburetter flanges.	X.87	K.9009/Z	8	G

NOTE: + When an oil bath air cleaner is fitted RE.11310
induction pipe is substituted for RE.4815 and
RE.13660 for RE.10639.

GROUP P.5 ACCELERATOR. (R.C.)

Comprising:

BOLT, 2BA, pedal.	X. 9	K.131/Z	3	
BOLT, .250" dia., front pedal bracket to frame	X.10	K.206/Z	1	
BOLT, .250" dia., rear pedal bracket to frame	X.10	K.205/Z	1	
BRACKET lever bearing.	1	FB.4486	1	
CUP, anti-fume seal	2	FB.473	1	
HOLDER, pedal upward stop	3	FB.4455	1	
LEVER, accelerator pedal, assembly with 2 off bush FB.3587	4	FB.3791	1	
NUT, castellated, .375" dia., spindle to bracket	X.20	KB.3585/Z	1	
NUT, half, 3BA, anti-fume seal screw.	X.24	K.4304/N	2	
NUT, half, 2BA, pedal holder to lever bolt.	X.24	K.4307/Z	2	
NUT, half, .250" dia., pedal bracket to frame bolt	X.24	K.4310/Z	2	
PEDAL, accelerator, assembly.	5	RF.4293	1	
PIECE, distance, anti-fume seal screw.	6	F.61510	2	
PIN, split, .093" dia. spindle to bracket nut	X.31	K.4608/Z	1	
RETAINER, anti-fume seal.	7	F.61548	1	
SCREW, cheese head, 3 BA, anti-fume seal.	X.45	K.1816/N	2	

GROUP P.5 (Continued Overleaf.)

GROUP P5. ACCELERATOR. (R.C.) (Contd.)

SPINDLE, lever bearing.	8	FB. 3792	1	
SPRING, anti-fume seal.	9	F. 60920	1	
SPRING, pedal lever return.	10	FB. 3790	1	
STOP, pedal, downward, additional.	11	FB. 3777		B
STOP, pedal downward short.	12	FB. 3776	1	
STOP, pedal upward.	13	FB. 4458	1	
WASHER, felt, anti-fume seal.	14	F. 60930	1	
WASHER, plain felt screw.	X.85	K. 4446/Z	2	
WASHER, spring, 2 BA, seal screw.	X.87	K. 9005/N	2	
WASHER, spring, 2 BA, pedal bolt and stop.		K. 9006/Z	2	
WASHER, spring, .250" dia., bracket bolt.	X.87	K. 9008/Z	2	
WASHER, thrust, lever bearing.	15	FB. 3795	2	

GROUP P5A. PEDAL ACCELERATOR. (L.C.)

Comprising:

BOLT, 2 BA, pedal stop.	X. 9	K. 132/Z	1	T
BRACKET, pedal off stop.	1	RF. 7048	1	T
LINK, pedal spring.	2	RG. 5050	2	
NUT, half, 2 BA, off stop accelerator.		K. 4307/Z	1	T
PEDAL, accelerator assembly.		RF. 6472	1	S
PEDAL, accelerator assembly (When rubber headed on-stop is used).		RF. 8186	1	T
PEDAL, accelerator, assembly (When steel headed on-stop is used).	3	RF. 7041	1	T
PIECE, distance, pedal off-stop.	4	RF. 7050	1	T
SCREW, cheese head, 2 BA, bracket.	X.54	KC. 171/Z	2	
SPRING, pedal lever return.	5	GB. 5097	1	
STOP, pedal off.	6	RF. 7049	1	T
WASHER, plain, pedal stop, chamfered.	X.84	KB. 3904/Z	1	
WASHER, plain, pedal stop.	X.85	K. 4452/Z	1	
WASHER, spring, 2 BA, off-stop.		K. 9006/Z	1	

GROUP P6. PIPES.

Comprising:

BALL, aluminium, .156" dia., drain (L.C.)	1	RE.13758	1	
BOLT, 2 BA, drain pipe clip, front carburetter.	X. 9	K. 101/Z	1	G
BOLT, 3 BA, breather pipe clip (1 fitted when short pipe junction to atmosphere is fitted).	X. 8	K. 3602/Z	2	
BOLT, 2 BA, pipe clip.	X. 9	K. 102/Z	5	
BOLT, 2 BA, pipe clip to frame.	X. 9	K. 130/Z	1	
BOLT, .250" dia., breather pipe junction.	X.10	K. 206/Z	3	
BRACKET, petrol drain pipe clip, front carburetter (R.C.)	2	RE.12279	1	G
BUSH, rubber, .312" dia., pipe.	3	FW. 1465	3	
BUSH, rubber, .375" dia., pipe.	4	FW. 1466	3	

GROUP P6. (Continued Overleaf)

GROUP P.6. PIPES (Contd.)

BUSH, threaded, 2 way junctions.	5	RF.6780	7	
CLIP, carburettor drain pipe retaining (L.C.)	6	RE.4526	1	
CLIP, drain pipe front carburettor (R.C.)	7	RF.3549	1	G
CLIP, insulated, .312" dia., pipe	8	RF.3336	3	
CLIP, insulated, .375" dia., pipe	9	RF.3332	3	
CLIP, tank breather pipe (fitted only when long pipe, junction to atmosphere is fitted.)		F.78487	2	
CLIP, tank breather pipe extension.	10	RF.3549	1	
CLIP, twin, 2nd crossmember (R.C.)	11	RF.5245	2	
JUNCTION, 2-way, tank breather pipe on crossmember	12	RF.6784	2	
JUNCTION, 2-way, tank breather pipe on side member	13	RF.6785	1	
NUT, half, 3BA, tank breather pipe clip (1 fitted with short junction to atmosphere pipe).	X.24	K.4304/Z	2	
NUT, half, 2BA, pipe clip retaining bolt.	X.24	K.4307/Z	6	
NUT, half, 2BA, drain pipe clip, front carburettor (R.C.)	X.24	K.4307/Z	1	G
NUT, half, .250" dia., junction retaining bolt.	X.24	K.4310/Z	3	
NUT, half, .562", adaptor	X.24	KB.5085/Z	2	
NUT, tubing, Enot's, .312" dia., pipe	X.25	KB.3023	1	
NUT, tubing, Enot's, .375" dia., pipe	X.25	KB.3024	4	
PIPE, carburettor drain, lower assembly, with valve seat EW.1981 (L.C.)	14	RE.4528A	1	
PIPE, carburettor drain, upper assembly, with connection (L.C.)	14	RE.4529	1	
PIPE, fuel feed to carburettor, assembly, with connections (L.C.)	15	RE.8258	1	
PIPE, fuel feed to carburettor, assembly, with connections (R.C.)		RE.9286	1	F
PIPE, fuel feed to carburettor, assembly, with connections (R.C.)	16	RE.13593	1	G
PIPE, filter to pump		RF.5065	1	U
PIPE, filter to pump	17	RF.8208	1	V
PIPE, flexible frame to engine (R.C.)	18	RF.8054	1	
PIPE, flexible frame to engine (L.C.)	19	RF.6489	1	
PIPE, overflow, front carburettor, assembly with banjo EW.1249 (R.C.)		RE.5353A	1	F/Z
PIPE, overflow front carburettor assembly with banjo EW.1249 (R.C.)	20	RE.12277	1	FF
PIPE, overflow, rear carburettor assembly with banjo EW.1249	21	RE.5352A	1	
PIPE, pump to frame bracket for flexible pipe with adaptor RE.3526	22	RF.5064	1	
PIPE, petrol tank breather, crossmember		RF.5068	1	U
PIPE, petrol tank breather, crossmember	23	RF.8209	1	V
PIPE, tank breather extension		RF.6389	1	
PIPE, tank breather, frame junction to filler	24	RF.5066	1	
PIPE, tank breather, frame to crossmember	25	RF.5067	1	
PIPE, tank breather, junction to atmosphere (long type)		RF.5069	1	
PIPE, tank breather, junction to atmosphere (short type.)	26	RF.8887	1	
PIPE, tank to filter		RF.3962	1	U

GROUP P6. (Continued Overleaf.)

GROUP P6. PIPES. (Contd.)

PIPE, tank to filter.	27	RF. 7202	1	V
SLEEVE, compression, .312" dia., pipe.	X.59	KB. 3003	1	
SLEEVE, compression, .375" dia., pipe.	X.59	KB. 3004	4	
SLEEVE, compression, tank breather pipe.	28	RF. 6783	7	
UNION, outlet.	X.80A	KB. 3044	1	
WASHER, aluminium, .625" dia., tank outlet union.	X.83	KB. 1081	1	
WASHER, spring 3 BA, breather pipe clip, (1 fitted with short junction to atmosphere pipe).	X.87	K. 9005/Z	2	
WASHER, spring 2 BA, pipe clip bolt.	X.87	K. 9006/Z	6	
WASHER, spring 2 BA, drain pipe clip bolt front carburetter (R.C.).		K. 9006/Z	1	G
WASHER, spring, .250" dia., junction bolt.	X.87	K. 9008/Z	3	
WASHER, spring, .562" dia., feed pipe adaptor.	X.87	K. 9013/Z	1	
WASHER, spring, .625" dia., bracket adaptor.	X.87	K. 9013/Z	1	
WASHER, tab, drain pipe junction (L.C.).	29	EW. 1982	1	

GROUP P7. PUMP.

Comprising:

BLOCK, mounting, (nearest frame) assembly, consisting of:	1	RD. 4006/A	1	
Block, rubber.		RD. 4006	1	
Plate, mounting.		DB. 1931	1	
BLOCK, mounting, (nearest pump) assembly, consisting of:	2	RD. 4007/A	1	
Block, rubber.		RD. 4007	1	
Plate, mounting.		DB. 1931	1	
BOLT, .250" dia., bracket to frame retaining.	X.10	K. 241/Z	4	
BRACKET, pump to frame, supporting.	3	RD. 4008	1	
CABLE, earth, assembly.	4	RD. 5392	1	
COVER, rubber.	5	DW. 554	2	
DIAPHRAGM, neoprene, assembly, consisting of:	6	DB. 1943	2	
Armature.		1789/A	1	
Diaphragm.				
Plate, brass.		1783	1	
Spindle.		1790/D	1	
Washer, impact, .010" thick.		1669	1	
HOUSING, coil and contact, assembly, consisting of:	7	DB. 1942	2	
Blade, support.		1808	1	
Bush, Tufnol, core guide.				
Coil.		1788	1	
Contact.		1457	1	
Contact.		1458	1	

GROUP P7. (Continued Overleaf.)

GROUP P7. PUMP. (Contd.)

HOUSING, coil and contact, assembly, consisting of; (Contd.)

Cover, end.				
Housing, H.P.			1	
Piece, bridge.		1677	1	
Screw, terminal.			1	
Spring, toggle.			1	
NUT, half, .250" dia., bracket bolt.	X.24	K. 4310/Z	4	
NUT, half, .312" dia., pump to bracket.	X.24	K. 4313/Z	2	
NUT, terminal, 2 BA, assembly, consisting of:	8	DB. 440A	2	
Cover.		DB. 440	1	
Insert, screwed.		DB. 439	1	
PIECE, distance, mounting blocks.	9	RD.4005	2	
PUMP, electric, fuel assembled complete.		DB.1935	1	
WASHER, aluminium, .625" dia., fuel inlet unions.	X.83	KB.1081	2	
WASHER, fibre, SV. 1442	10	RD.6232	2	
WASHER, plain, 2 BA, terminal.	X.85	K.4405/N	2	
WASHER, spring, 2 BA, terminal.	X.90	K.3803/Z	2	
WASHER, spring, .250" dia., bracket to frame. retaining bolt.	X.87	K.9008/Z	4	
WASHER, spring, .312" dia., pump to bracket.	X.57	K.9009/Z	2	

GROUP P8. SILENCER AIR INTAKE - SU. CARBURETTER.

comprising:

BRACKET, support, silencer front.		RE.5607	1	MNP
BRACKET, support, silencer rear.	1	RE.5608	1	MNP
BRACKET, support silencer.	2	RE.11537	2	Q/G
BRACKET, return spring, assembly with pin RE.3563	3	RE. 1096A	1	F
BRACKET, return spring, assembly with pin RE.3563		RE. 1096A	1	CG
BRACKET, return spring, assembly with pin RE.3563		RE.13590	1	G+
BUSH, air intake, bellcrank lever.	4	RE. 3470	1	
CLIP, Jubilee, silencer to air intake.		RE. 4805	1	MNP
CLIP, Jubilee, intake to silencer.	5	RE. 4805	2	QG
COLLAR, return spring.	6	RE. 3525	1	
CONNECTION, air intake to silencer.	7	RE.11539	1	QG
INTAKE, air, to carburetter assembly, with:	8	RE. 3580/Z	1	MNP
Stud, 2 BA, return spring bracket.		KB. 3818/Z	1	
Stud, .250" dia.		KB. 357/Z	1	
INTAKE, air, to carburetter, assembly as above except air intake.		RE.11538A	1	Q
INTAKE, air, to carburetter, assembly as above. except air intake.		RE.10610A	1	CG
INTAKE, air to carburetter, assembly with	9	RE.13649A	1	G+
Stud, .250" dia.		KB. 357/Z	1	

GROUP P8. (Continued Overleaf)

GROUP P8. SILENCER AIR INTAKE - SU CARBURETTER (Contd.)

JOINT, air intake.	10	RE. 9156	2	F
JOINT, air intake.	11	RE. 10620	2	G
LINK, return spring.	12	RE. 3469	1	FG0
LINK, return spring.		E. 51877	1	G+
NUT, half, 2 BA, return spring bracket.		K. 4307/Z	1	FG0
NUT, half, .250" dia., bell-crank stud.	X.24	K. 4310/Z	1	
PIN, split, .031" dia., return spring collar.	X.31	K. 4646/Z	1	
RING, rubber silencer to air intake.	13	RE. 4804	1	MNP
SCREW, hex. head, .250" dia., bracket to silencer.	X.55	KC. 201/Z	4	
SCREW, hex. head, .312" dia., intake to carburetter.	X.56	KC. 297/Z	4	
SILENCER, air intake, assembly.		RE. 4813	1	M
SILENCER, air intake, assembly.	14	RE. 5606	1	NP
SILENCER, air intake, assembly.	15	RE. 11529	1	QG
WASHER, plain, .250" dia., intake to bellcrank bush.		K. 8833/Z	1	
WASHER, plain, .250" dia., bell-crank stud.	X.85	K. 4407/Z	1	
WASHER, spring, 2 BA, spring bracket.	X.87	K. 9006/Z	1	FG0
WASHER, spring, .250" dia., bracket support.	X.87	K. 9008/Z	4	
WASHER, spring, .250" dia., bell-crank lever.	X.87	K. 9008/Z	1	
WASHER, spring, .312" dia., carburetter flange.	X.87	K. 9009/Z	4	

NOTE: 0 Fitted when throttle pull off spring is fitted to rear of rear carburetter.

+ Fitted when throttle pull off spring is fitted to front of rear carburetter.

GROUP P8A. AIR INTAKE - AIR CLEANER SU CARBURETTER.

Comprising:

BOLT, 2 BA, elbow to adaptor.	X. 9	K. 131/Z	8	
BOLT, .250" dia., strap to oil bath.	X.10	KA. 201/Z	3	
BOLT, .250" dia., support legs to support plate.	X.10	KA. 202/Z	2	
BOLT, .250" dia., strap to steady bracket.	X.10	KA. 202/Z	2	
BRACKET, steady, oil bath.		RE. 6277	1	W
BRACKET, steady, oil bath.	1	RE. 7448	1	X
CLEANER, air assembly, including:	2	RE. 6206	1	
Filter.		E/AC. 2913/4	1	
Screw, retaining with knob.		E/AC. 3266	1	
CLIP, Jubilee, oil bath to elbow.	3	RE. 6732	1	
CLIP, Jubilee, silencer to air intake.		RE. 4805	1	F
CLIP, Jubilee, silencer to air intake.		RE. 4805	2	G
CLIP, Jubilee, banjo connection to silencer.	4	RE. 4805	1	

GROUP P8A. (Continued Overleaf.)

GROUP P6A. AIR INTAKE - AIR CLEANER SU CARBURETTOR (Contd.)

CONNECTION, air intake to silencer	RE.11539	1	G
CONNECTION, banjo, assembly.	RE.6274	1	W
CONNECTION, banjo, assembly.	RE.7446	1	Y
CONNECTION, banjo, assembly.	RE.13669	1	Z
CONNECTION, banjo, assembly.	5 RE.13657	1	FF
ELBOW, support, oil bath air cleaner.	6 RE. 6278	1	
INTAKE, air, to carburettor, assembly with:	RE. 3580A	1	F
Stud, 2 BA, return spring bracket.	KB. 3818/Z	1	
Stud, .250" dia.	KB. 357/Z	1	
INTAKE, air, as above except air intake.	RE.10610A		GO
INTAKE, air, assembly with:	RE.13649	1	G+
Stud, .250" dia.	KB. 357/Z	1	
NUT, half, 2 BA, elbow to adaptor.	X.24 K. 4307/Z	8	
NUT, half, .250" dia, support plate.	X.24 K. 4310/Z	2	
NUT, half, .250" dia, support strap oil bath to steady bracket.	X.24 K. 4310/Z	2	
PLATE.	7 RE.6269	1	
RING, rubber, silencer to air intake.	RE.4804	1	F
RING, rubber, banjo connection to silencer.	8 RE.4804	1	
RING, rubber, oil bath to elbow.	9 RE.6271	1	
SCREW, hex. head, .250" dia., bracket to silencer.	X.55 KC. 201/Z	2	
SILENCER air, assembly.	RE. 6725	1	W
SILENCER air, assembly.	10 RE.10008	1	Y
SILENCER air, assembly.	RE.11562	1	G
STRAP, support oil bath.	11 RE. 6275	1	
SUPPORT, oil bath air cleaner.	12 RE. 6276	2	
WASHER, joint support plate.	13 RE. 6270	2	
WASHER, spring, .250" dia., bracket support.	X.87 K. 9008/Z	2	
WASHER, spring, 2 BA, elbow to adaptor.	X.87 K. 9006/Z	8	
WASHER, spring, .250" dia, support plate.	X.87 K. 9008/Z	2	
WASHER, spring, .250" dia, support strap to oil bath.	X.87 K. 9008/Z	3	
WASHER, spring .250" dia., support strap. oil bath to steady bracket.	X.87 K. 9008/Z	2	

NOTE: © Fitted when throttle pull off spring is fitted
to rear of rear carburettor.

+ Fitted when throttle pull off spring is fitted
to front of rear carburettor.

GROUP P8B. SILENCER AIR INTAKE - STROMBERG CARBURETTER (L.C)

Comprising:

BRACKET, air silencer.	1	RE. 6919	1
CLIP, air silencer to carburetter (or connection to carburetter.)	2	RE. 6739	1
CONNECTION, air silencer to carburetter.	3	RE. 9691	1
NUT, thumb, filter casing.	4		
PLATE, retaining, air connection (for use when silencer RE.9689 is fitted).	5	RE. 9690	1
SCREW, .250" dia., bracket to silencer.	X.47	K. 2007/Z	2
SCREW, 3 BA, rubber connection (for use when silencer RE.9689 is fitted).	X.45	K. 1804/Z	6
SILENCER, air complete.		RE. 4509	1
SILENCER, air complete (when rubber connection is fitted between silencer and carburetter).	6	RE. 9689	1
WASHER, air silencer bracket.	7	RE. 6920	2
WASHER, spring, .250" dia., bracket to silencer.	X.87	K. 9008/Z	2
WASHER, spring, 3 BA, rubber connection (for use when silencer RE.9689 is fitted).	X.87	K. 9005/Z	6

GROUP P8C. SILENCER AIR INTAKE - AIR CLEANER, STROMBERG CARBURETTER.

Comprising:

BOLT, .250" dia., oil bath strap (2) and silencer (2) to brackets.	X.10	KA. 202/Z	4
BRACKET, air silencer.	1	RE. 6267	1
BRACKET, oil bath.	2	RE. 6277	1
CLEANER, oil bath.	3	RE. 8718	1
CLIP, Jubilee, oil bath to silencer.	4	RE. 6739	2
CONNECTION, air silencer to carburetter (fitted in conjunction with RE.13723 silencer).	5	RE. 9691	1
NUT, half, .250" dia., bracket bolts.	X.24	K. 4310/Z	4
PLATE, retaining, air connection (fitted in conjunction with RE.13723 air silencer.)	6	RE. 9690	1
PLATE, cover, air silencer (fitted in conjunction with RE.13723 air silencer).		RE. 9868	1
SCREW, hex. head, .250" dia., strap to oil bath.	X.55	KC. 201/Z	3
SCREW, cheese head, 3 BA, rubber connection to air silencer (fitted in conjunction with RE.13723 silencer.)	X.45	K. 1804/Z	6
SILENCER, air intake (when rubber connection is fitted between silencer and carburetter).	8	RE.13723	1
SILENCER, air intake.	7	RE. 6643	1
STRAP, support, oil bath.	9	RE. 6275	1
SUPPORT, air silencer front.	10	RE.16817	1
SUPPORT, air silencer rear.	11	RE. 6266	1
WASHER, spring, .250" dia.	X.87	K. 9008/Z	7

GROUP P9. TANK FUEL.

Comprising:

BOLT, .250" dia., strap supporting.	1	FW. 503	6	
CLIP, hose.	2	RF. 6739	2	
FILLER, tank, assembly, consisting of:	3	RF. 4264A	1	+
Body.		RF. 4259	1	
Cable.		RF. 4262	1	
Cap.		RF. 4260	1	
Connection, flexible, filler.		FB. 2447	2	
Eye, cable to cap retaining.		RF. 4261	1	
Nipple, cable retaining.		RF. 4263	2	
Tube, filler.		RF. 4257	2	
Washer, leather.		RF. 4429	1	
FILLER, tank, assembly, consisting of:		RF. 6397	1	0
Body.		RF. 4259	1	
Cable.		RF. 4262	1	
Cap.		RF. 4260	1	
Eye, cable to cap retaining.		RF. 4261	1	
Nipple, cable retaining.		RF. 4263	1	
Tube, filler.		RF. 6398	1	
Washer, leather.		RF. 4429	1	
GAUGE, electric.	4	RF. 5410	1	
GUARD, gauge, unit.	5	RF. 3485	1	
HOSE, rubber, filler tube to tank connection.	6	RF. 8176	1	
NUT, castellated, .250" dia., strap supporting bolt and tensioning stud.	X.20	KB. 3581/Z	6	
NUT, half, .250" dia., support stud.	X.24	K. 4310/Z	4	
PACKING, canvas, support strap.	7	RF. 3993	2	
PIECE, distance, strap tensioning stud.	8	-	2	
PIN, split, .062" dia., strap supporting bolt.	X.31	K. 4602/Z	6	
PIN, split, .062" dia., support.	X.31	K. 4603/Z	4	
PLUG, tank drain.	9	RG. 3744	1	
SCREW, cheese head, 3 BA, gauge unit retaining.	X.45	K. 1804/Z	6	
SHOE, strap support, front.	10	RF. 3078	2	
SLEEVE, strap support, front upper inner.	11	RF. 3991	2	
SLEEVE, strap support, front upper outer.	12	RF. 3717	2	
STRAP, tank support, lower, assembly, consisting of:	13	RF. 3996	2	
Sleeve, support.		FB. 4630	2	
Strap.		RF. 3997	1	
STRAP, tank support, upper assembly, consisting of:	14	RF. 3994	2	
Sleeve, support, front.		FB. 3713	1	
Sleeve, support, rear.		FB. 4630	1	
Strap.		RF. 3995	1	
Stud, .250" dia., tensioning stud.		RF. 4266	1	

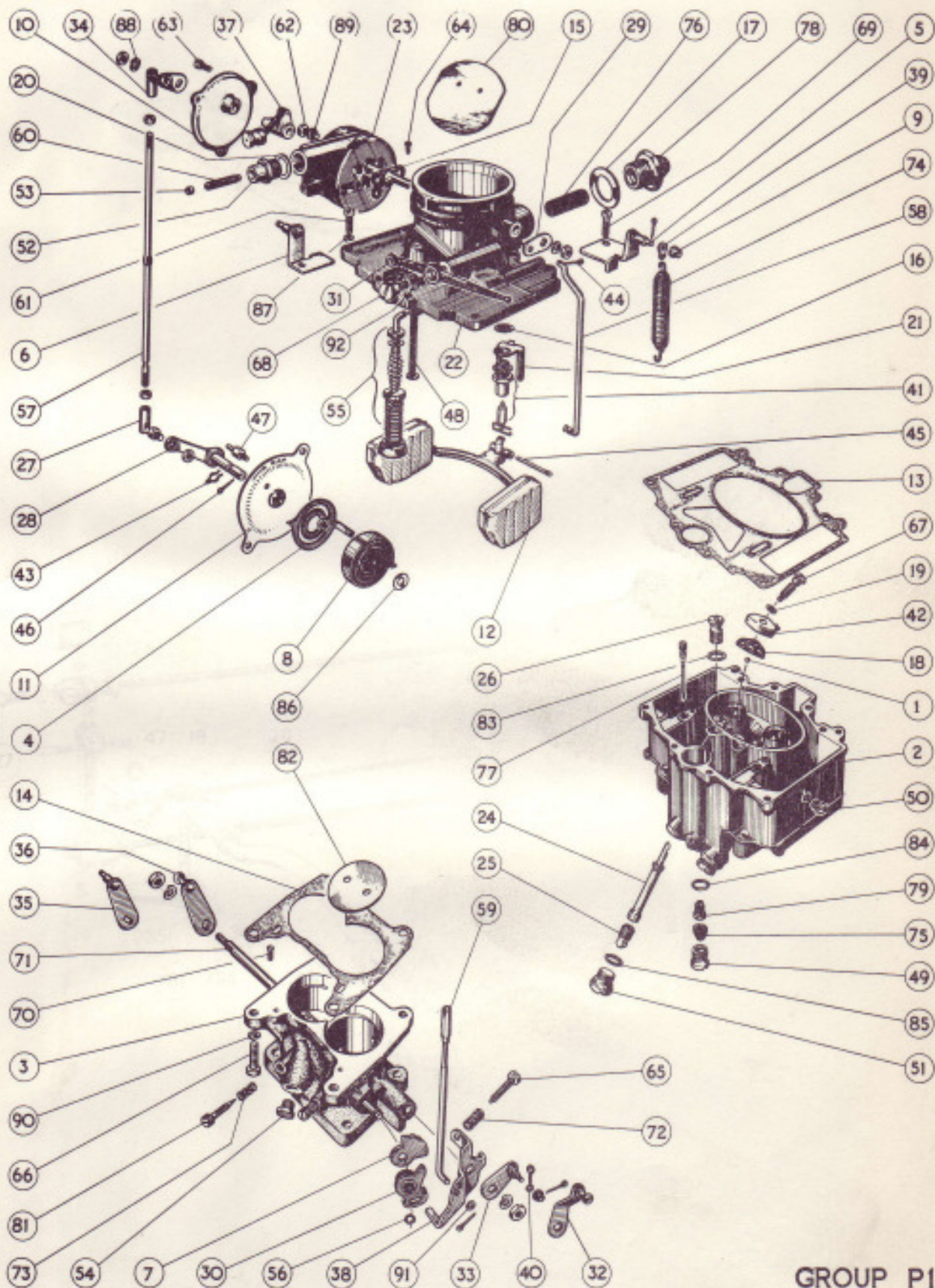
GROUP P9. (Continued Overleaf.)

GROUP P9. TANK FUEL. (Contd.)

TANK, fuel, 18 gallons, assembly.	15	RF. 8060	1	GG
TANK, fuel, 18 gallons, assembly.		RF. 7195	1	FF
WASHER, C and A, 1.000" dia., tank drain plug.	X.82	KB. 7260	1	
WASHER, plain, .250" dia., strap supporting bolt.	X.85	K. 4407/Z	6	
WASHER, spring, 3 BA, gauge unit screw.	X.87	K. 9005/Z	6	

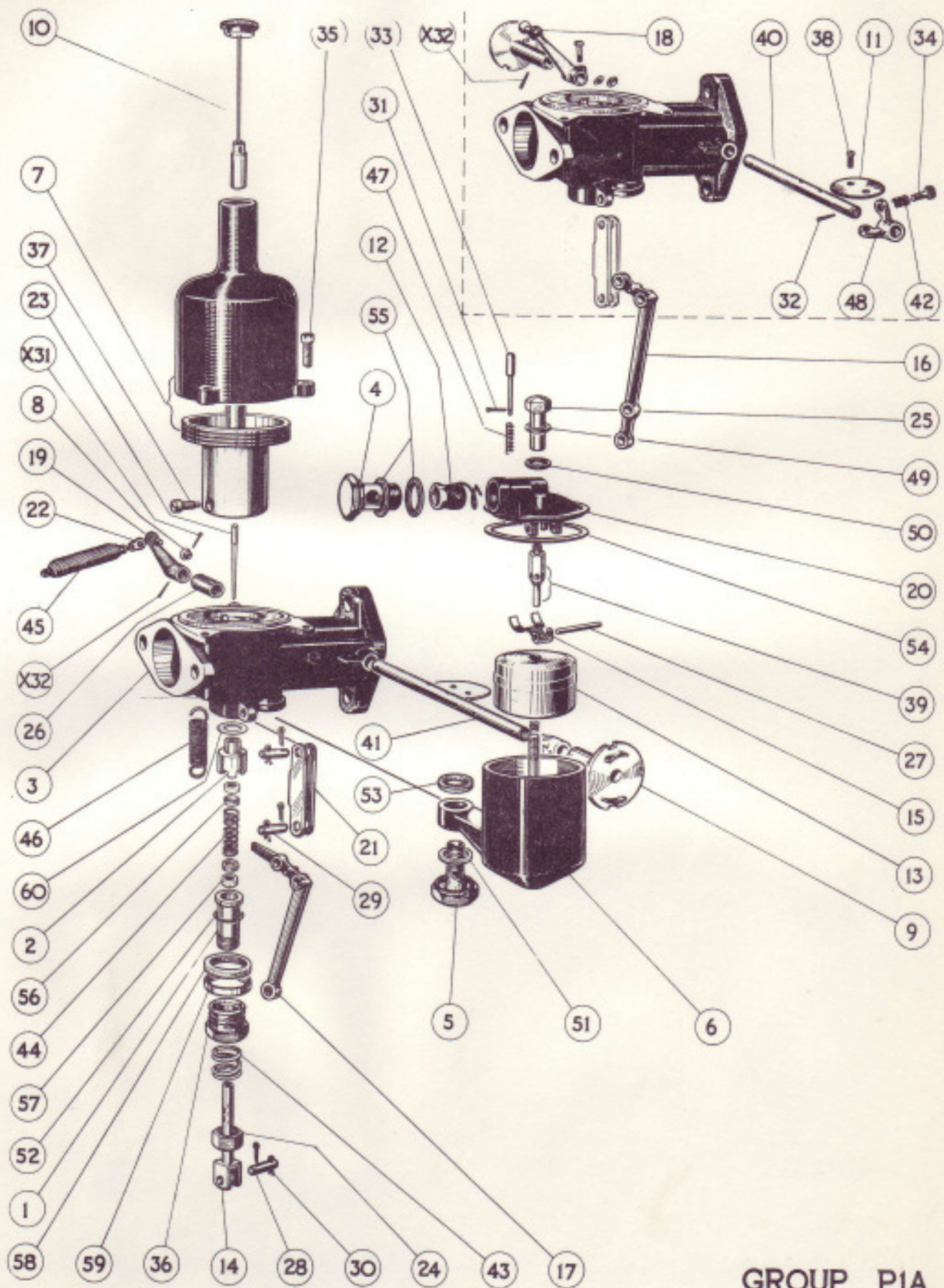
NOTE: + This part is fitted on early standard steel chassis and on all coachbuilt cars. It contains two flexible connections. When used on coachbuilt cars 1 off RF.4257 is replaced by 1 off RF.4258.

0 This part is used on all but the earliest standard steel bodies.



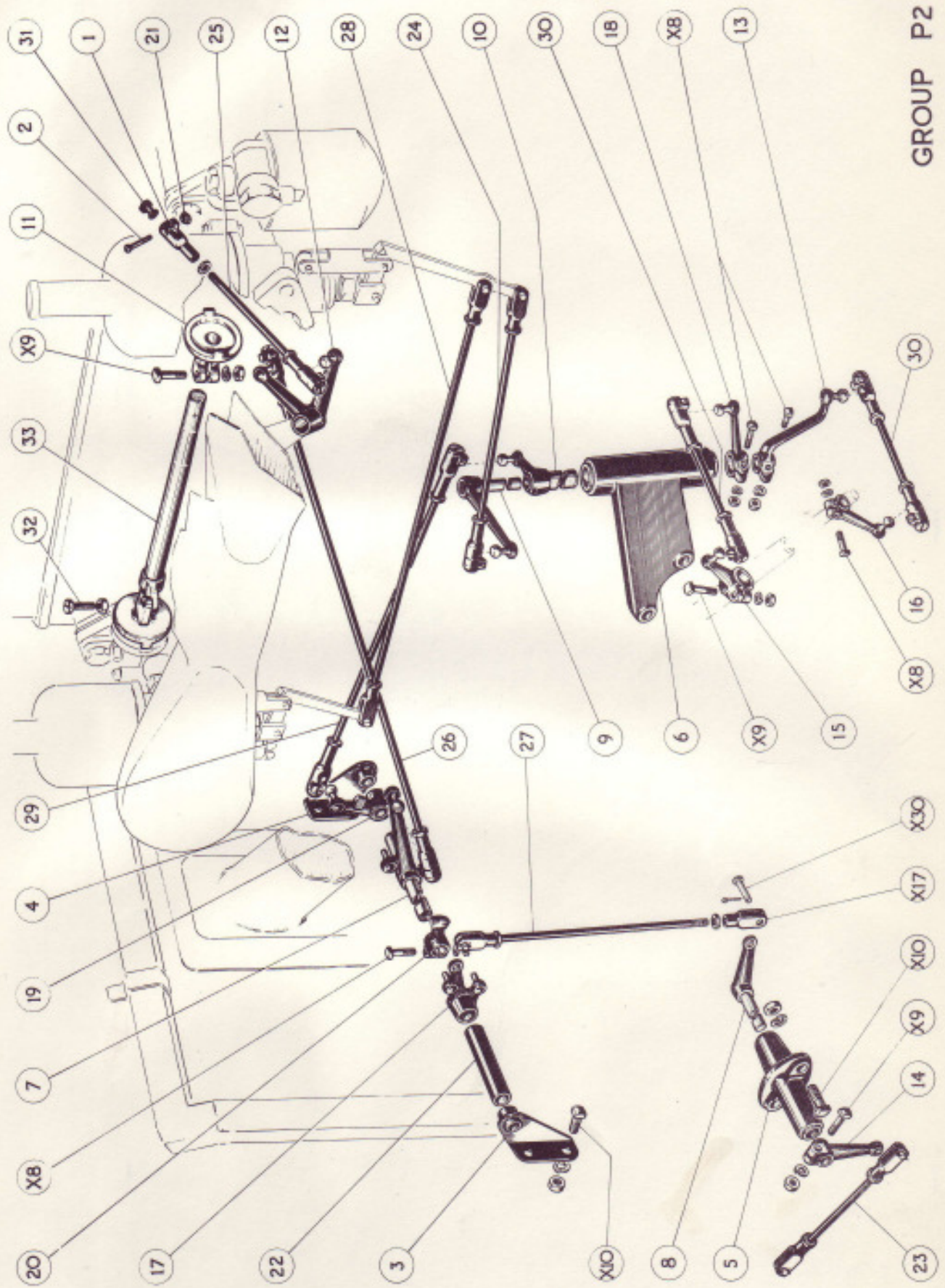
GROUP P1





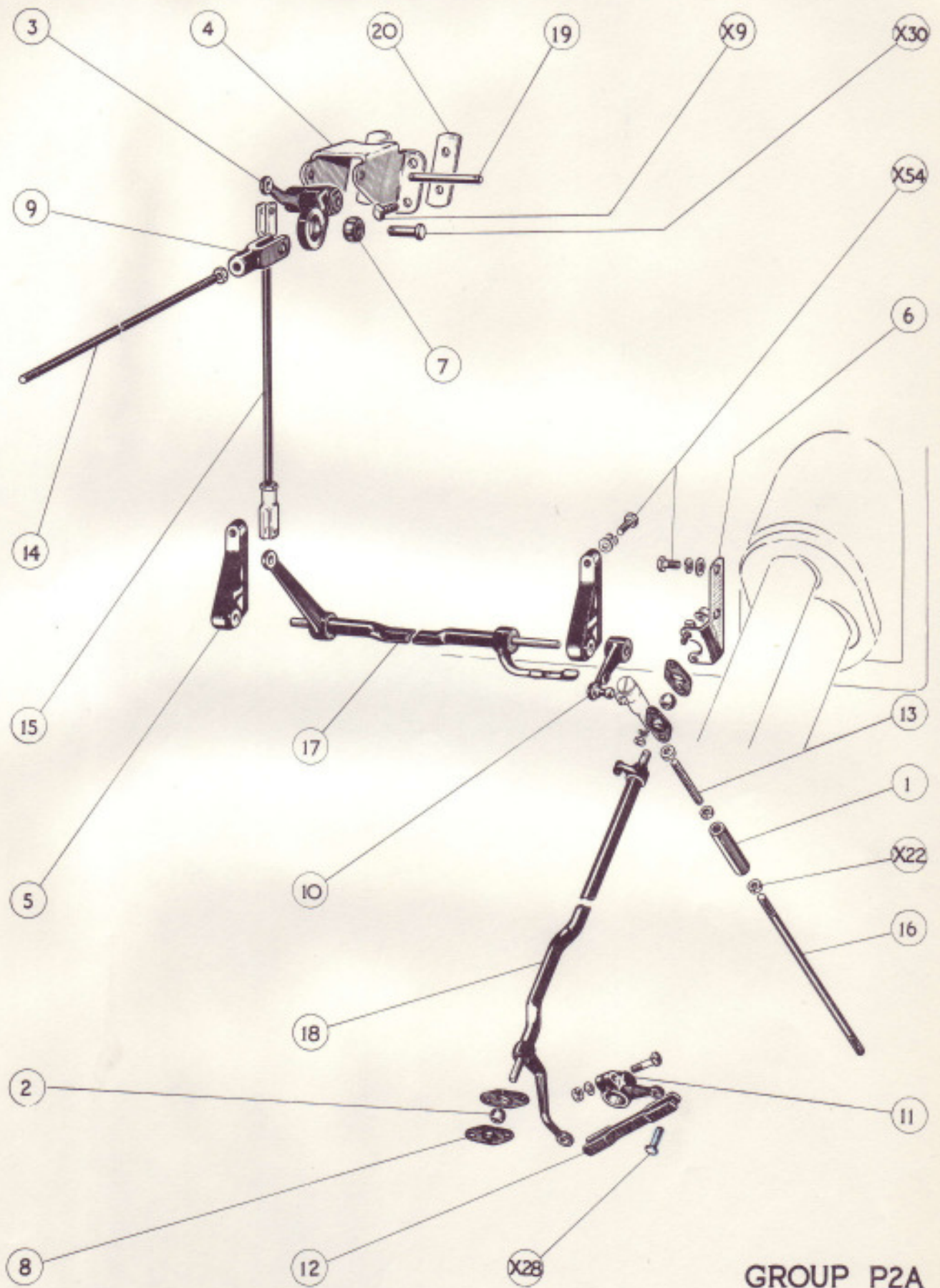
GROUP P1A





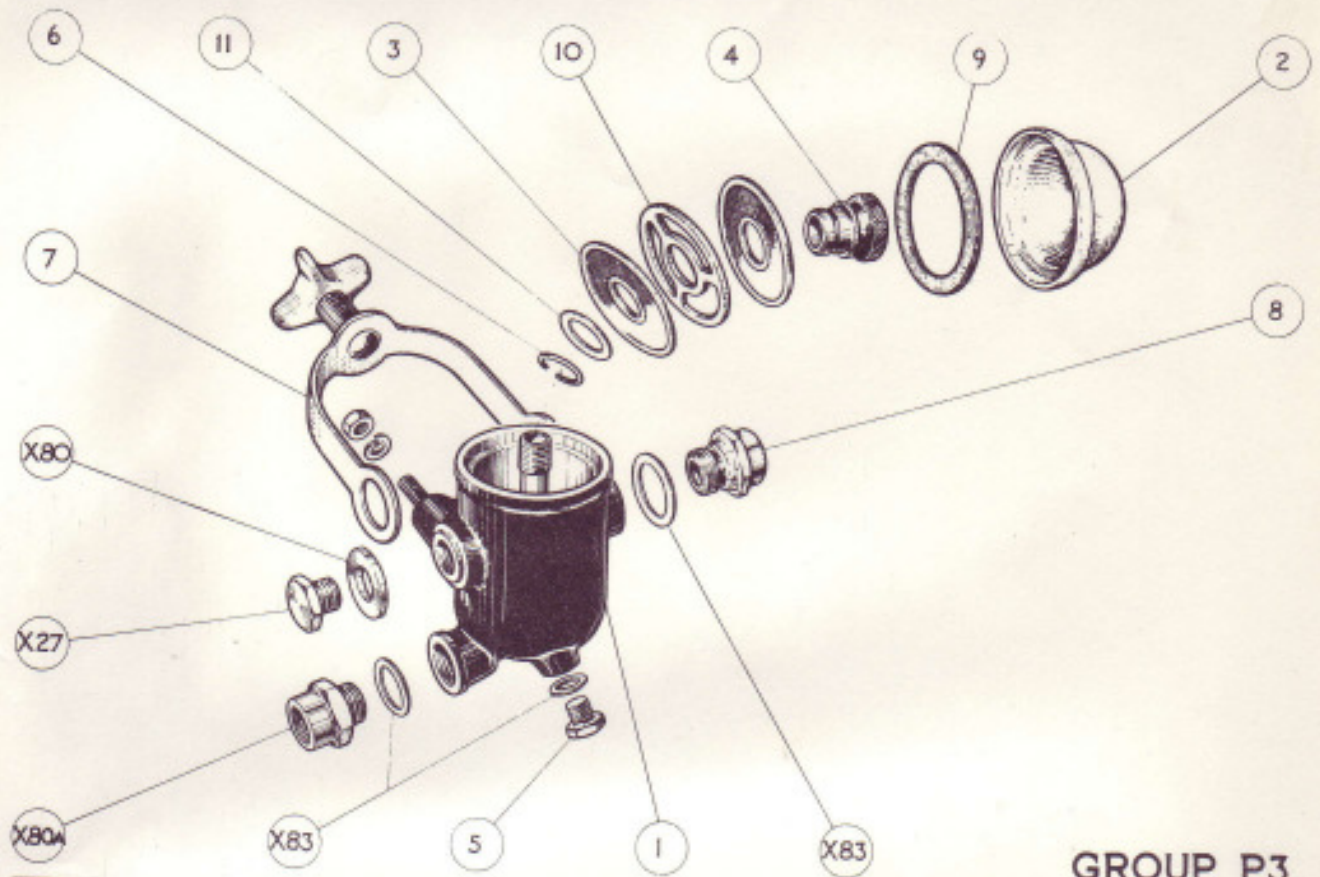
GROUP P2



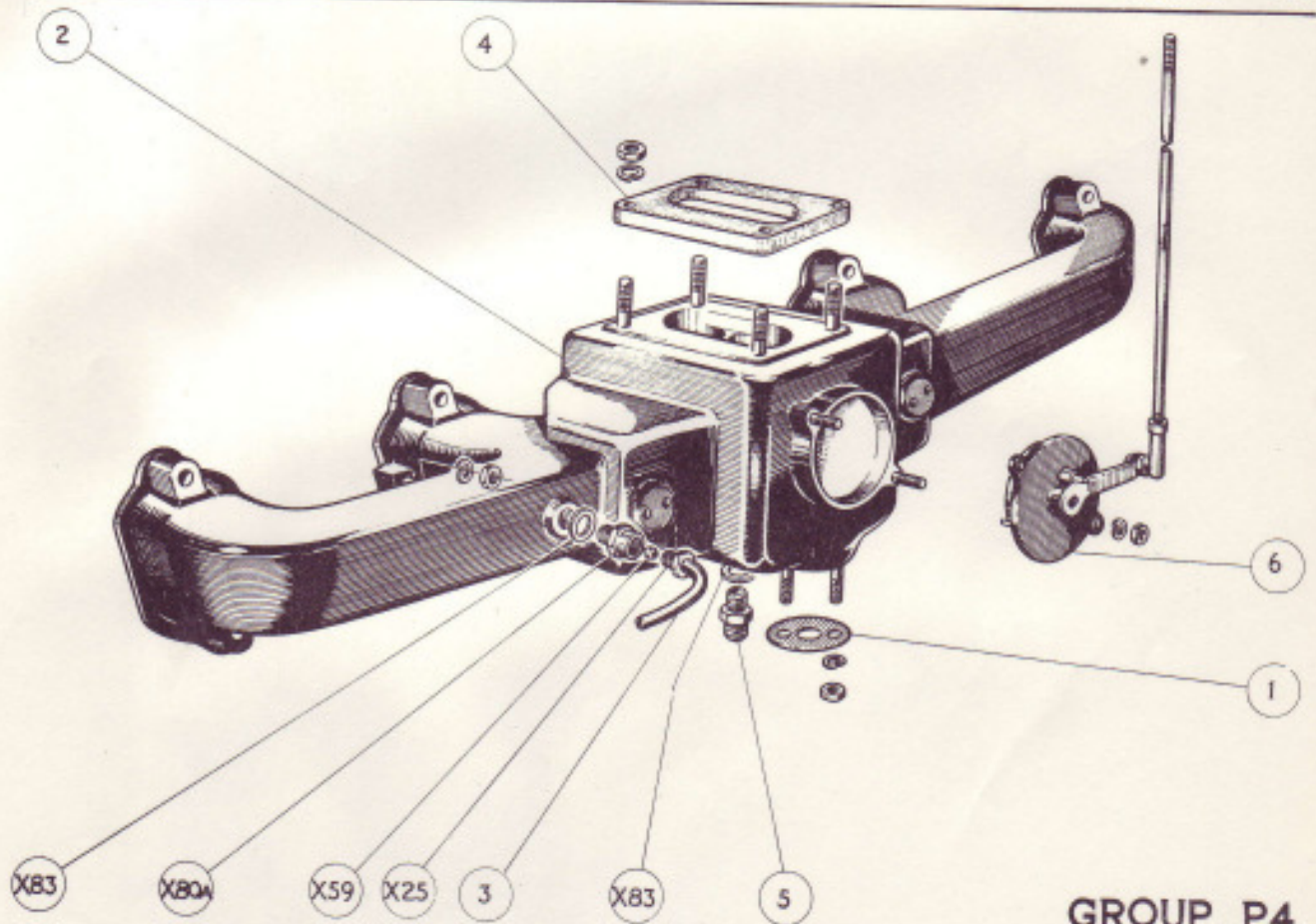


GROUP P2A



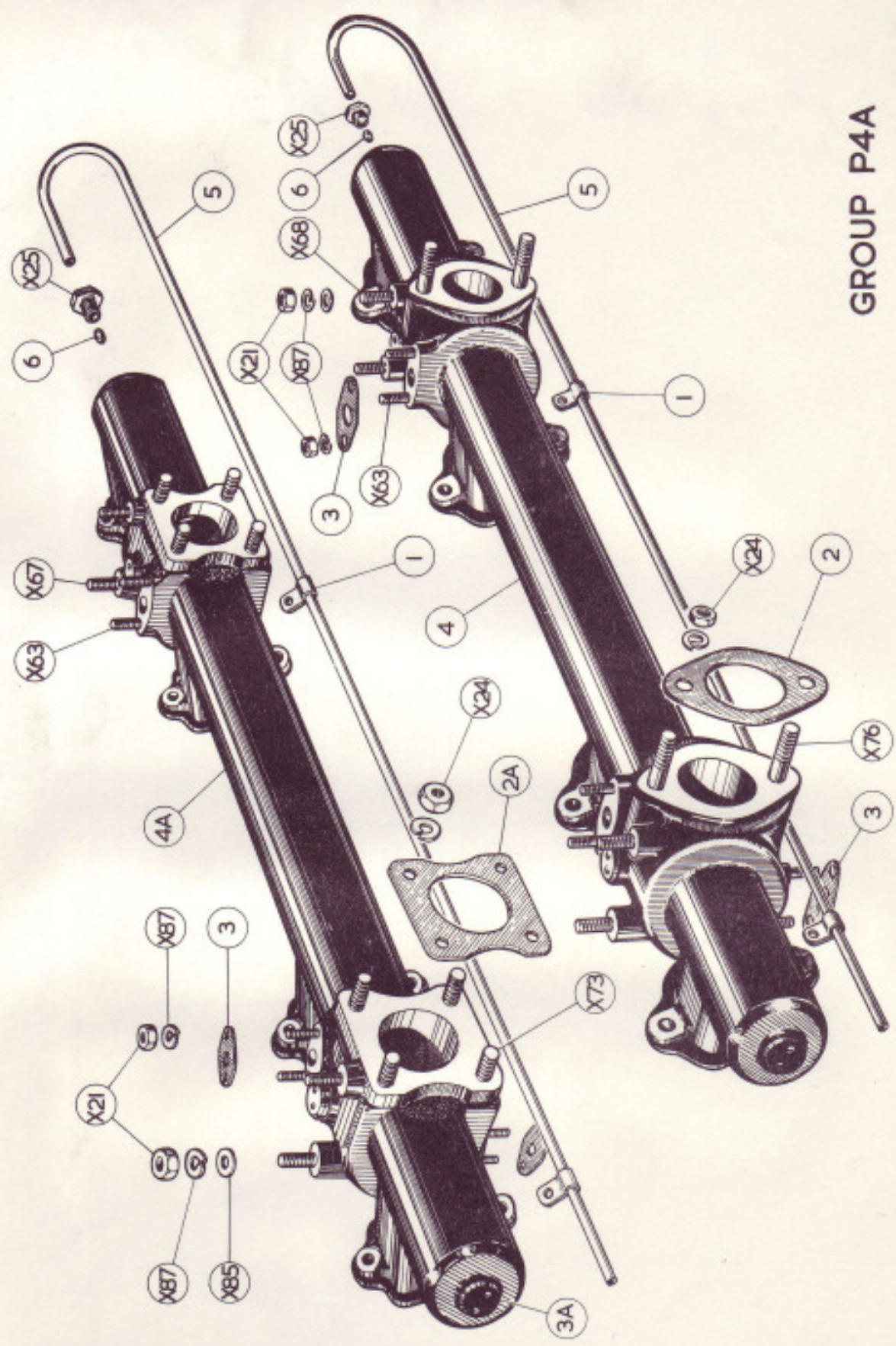


GROUP P3



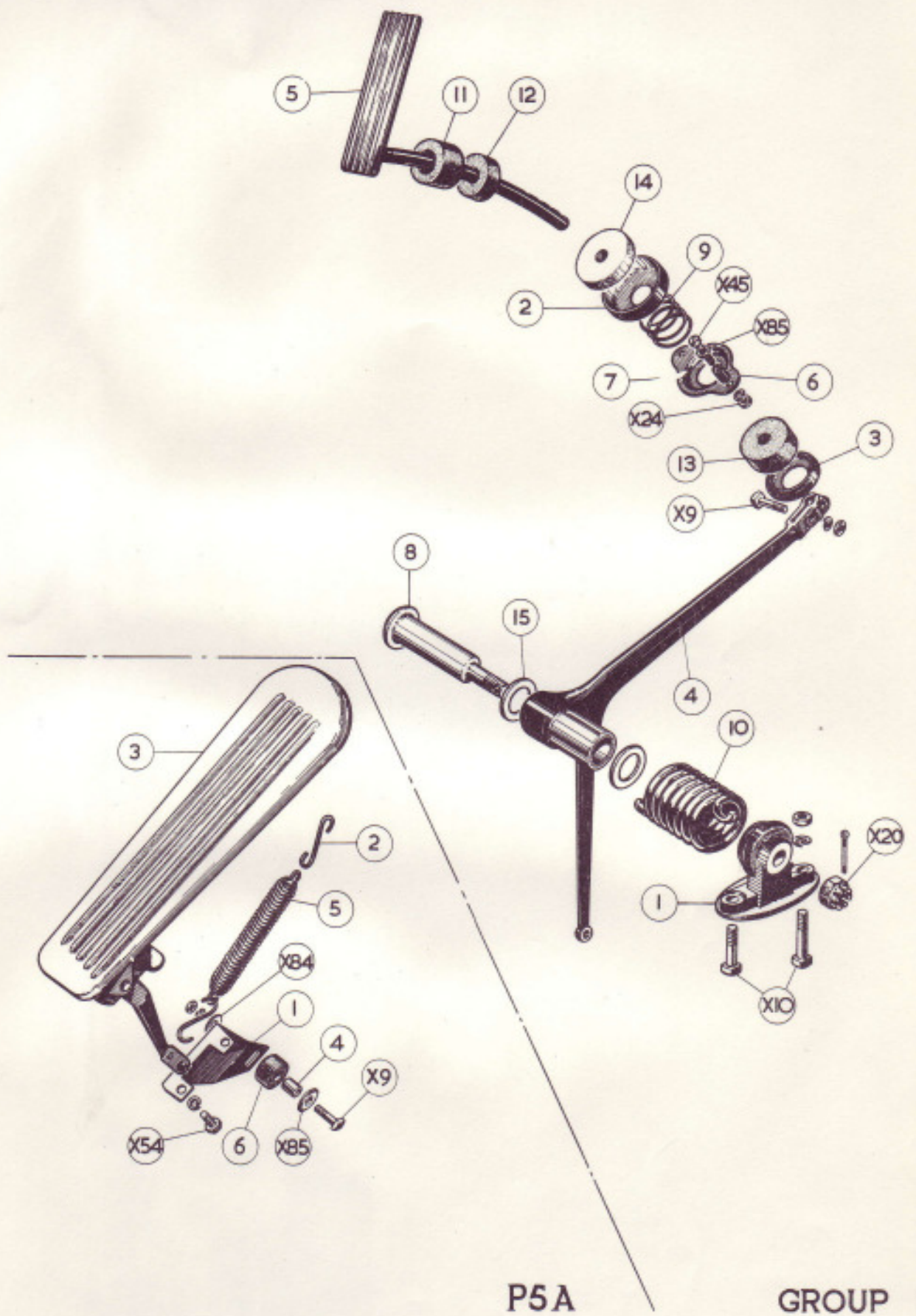
GROUP P4

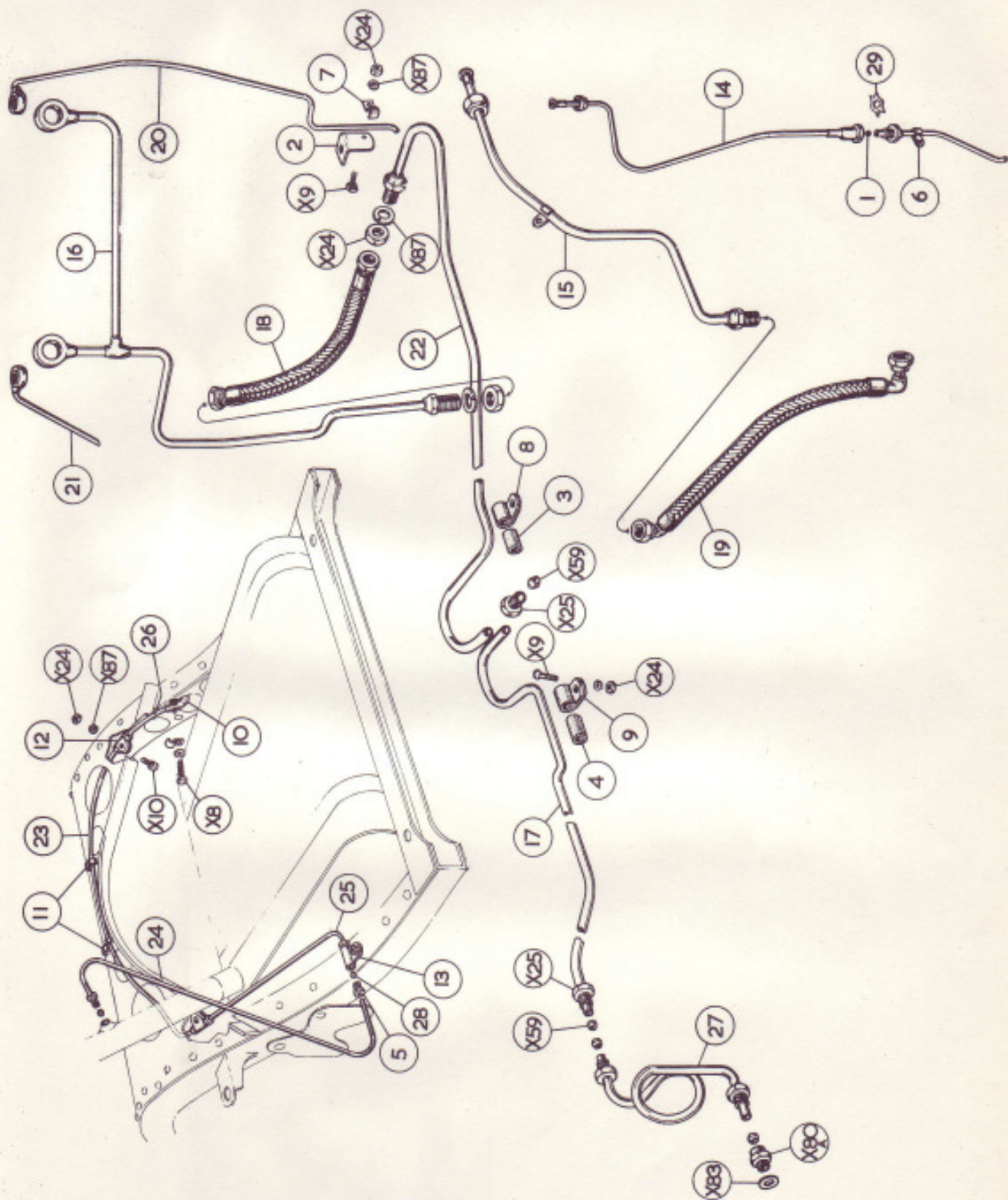




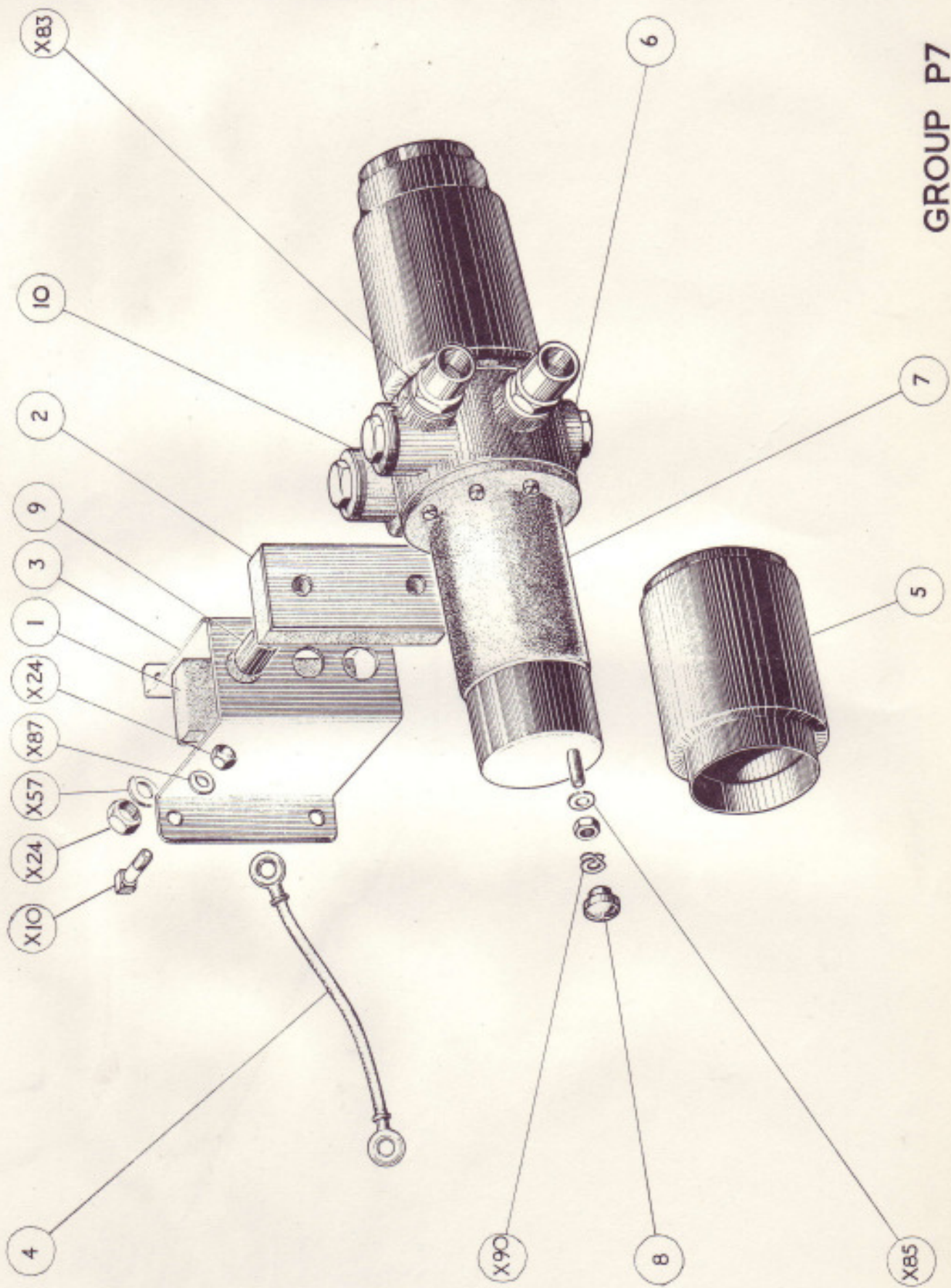
GROUP P4A

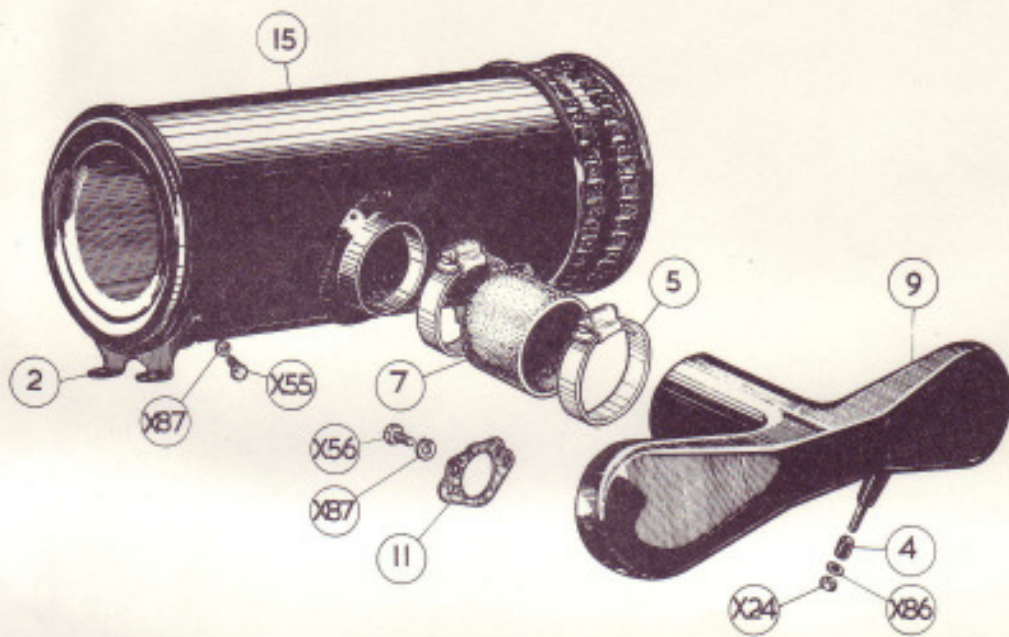




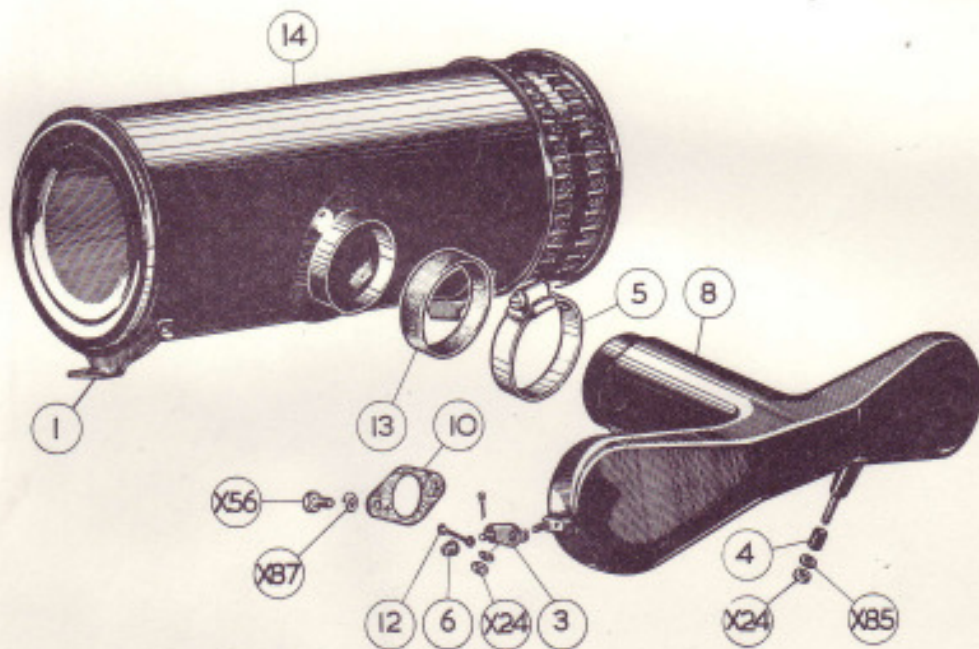


GROUP P7



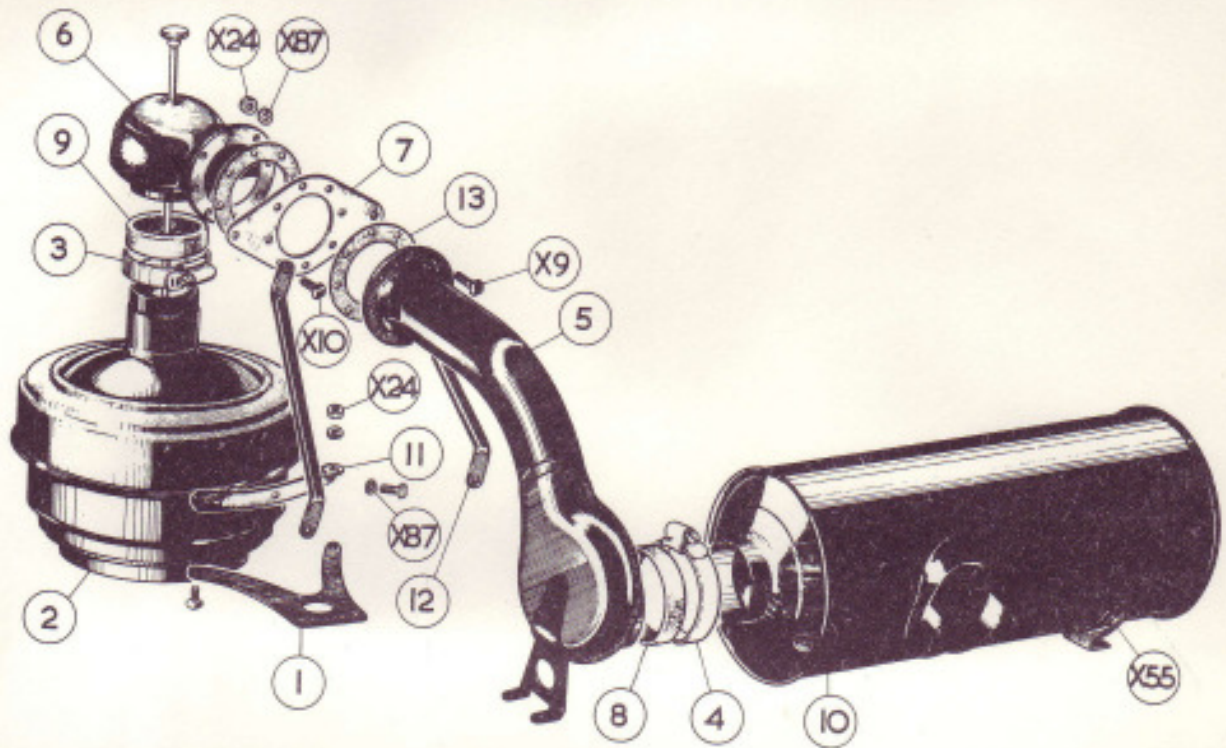


GROUP P8

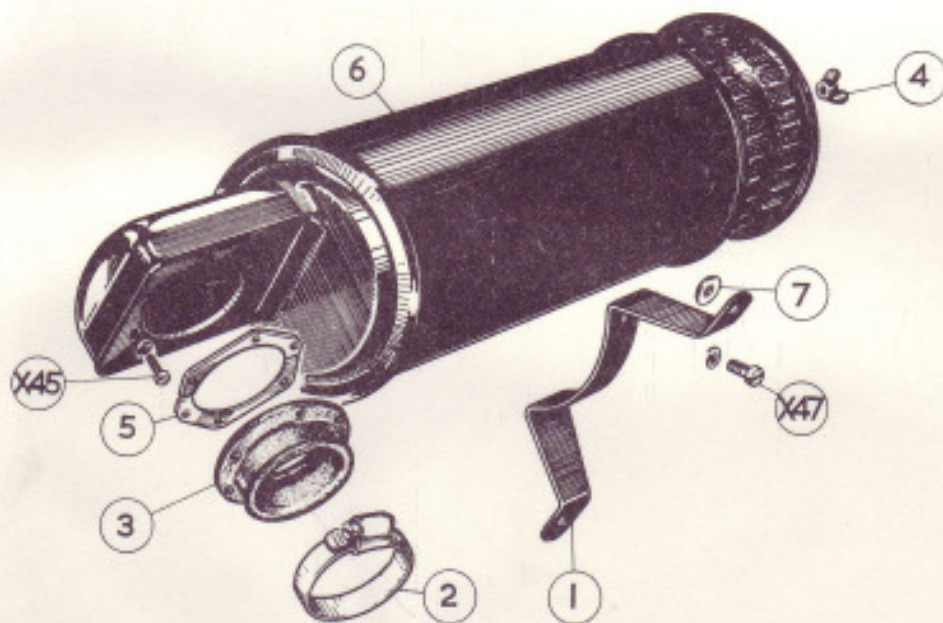


GROUP P8



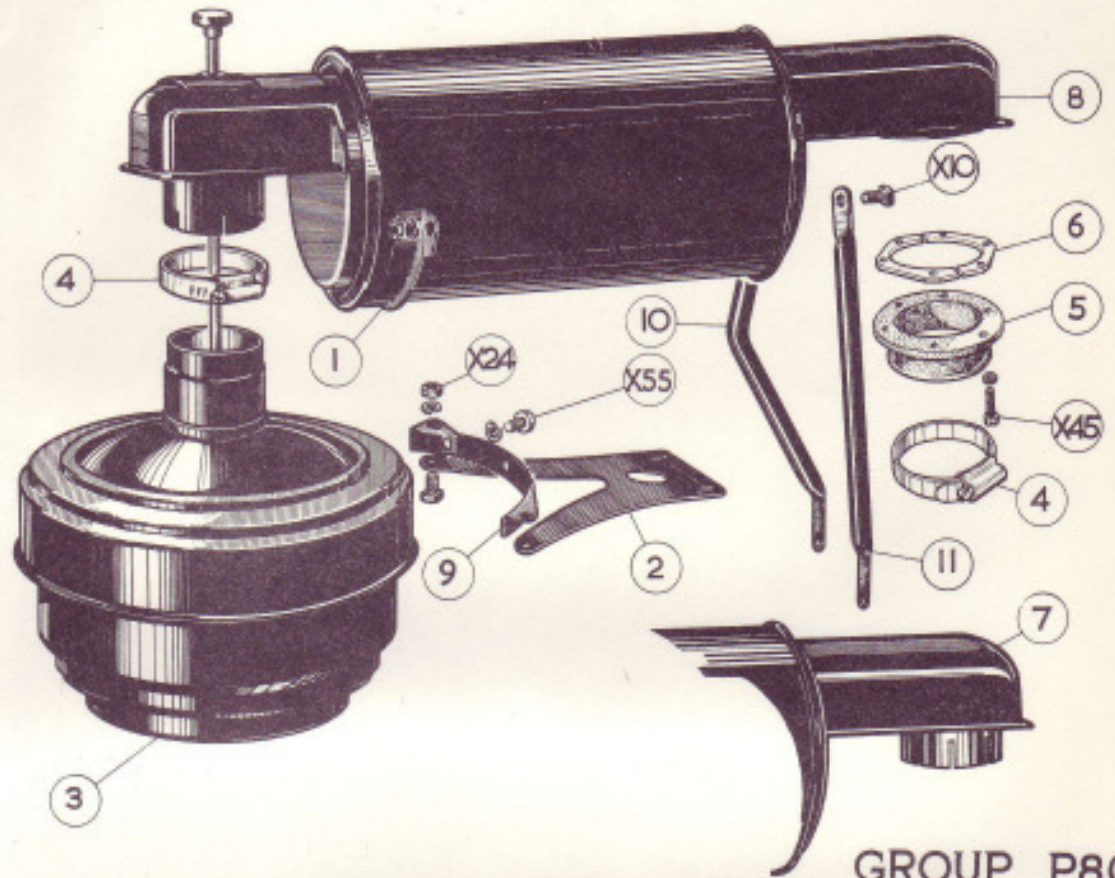


GROUP P8A

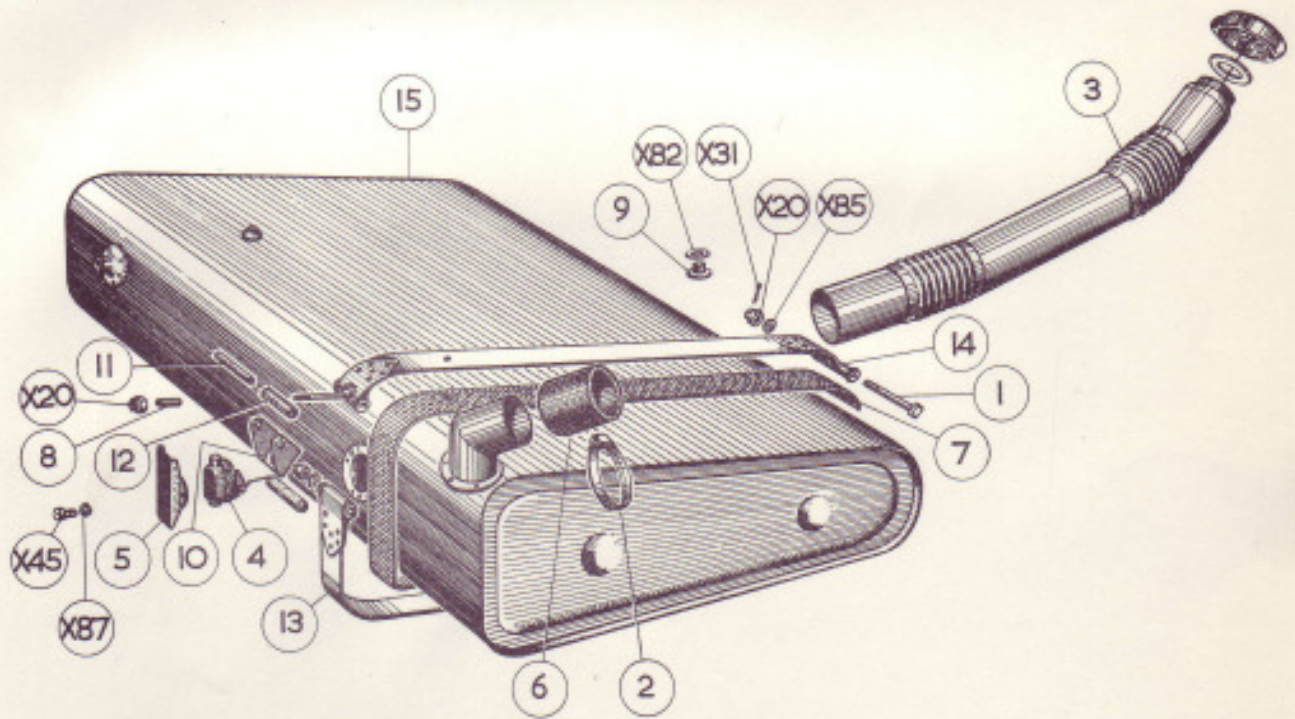


GROUP P8B





GROUP P.8C.



GROUP P.9

