

BENTLEY MK. VISECTION NS T E E R I N G

Containing:-

- GROUP 1. COLUMN AND FITTINGS
2. LEVER, CENTRE
3. LEVER, PENDULUM
4. LEVER, STUB AXLE
5. STEERING BOX MOUNTING
6. TUBE, CROSS
7. TUBE, SIDE
8. WHEEL AND CENTRE CONTROLS

KEY TO CHASSIS NUMBERS

Used on	A, B, C, D, E Series	
" " B-FV	2-500	
" " B-FU	1-97, 101-195	= F
" " B-FU	99-197 onwards	= G
" " A, B, C, & E Series		
" " B-FV	2-100	= H
" " B-FV	102 onwards	= J
" " A, B, C Series		
" " B-DA	2-500	
" " B-DZ	1-163	= K
" " B-DZ	165-501	
" " E Series		
" " B-FV	2-500	
" " B-FU	1-491	= L
" " B-FU	493 onwards	= M
" " A, B, C, E & F Series		= N
" " G Series onwards		= O
" " A, B, C, D, E, F, G, H, J, K, M, N Series		
" " B-PV	All chassis	
" " B-PU	1-213	= P
" " B-PU	215 onwards	= Q
" " A, B, C, D Series		
" " B-EY	2-500	
" " B-EW	1-295, 299-307	= T

(Continued overleaf)

Used on	B-EW	297, 309-501	
" "	B-FV	1-500	
" "	B-FU	1-279	= U
" "	B-FU	281 onwards	= V
" "	B-EW	297, 309-501	
" "	B-FV	1-500	
" "	B-FU	1-247	= W
" "	B-FU	249 onwards	= X
" "		G,H,J,K,L,M,N Series	
" "	B-FV	All chassis	
" "	B-FU	1-213	= Y
" "		G Series onwards	= F/F

## GROUP N1. COLUMN AND FITTINGS

## Comprising

BOLT, column to dashboard stay	X.11	K 308/Z	1	
BOLT, .312" dia., stay to bracket long (RC)	X.11	K 317/Z	1	
BOLT, .312" dia., stay to bracket long (LC)	X.11	K 314/Z	1	
BOLT, .312" dia., stay to bracket short	X.11	K 312/Z	1	
BRACKET, column support	1	RF 4437	1	
BRACKET, pull off spring (LC)	2	RF 6977	1	G
BUSH, pull off spring, (LC)	3	RF 6978	1	G
CAP, column support bracket	4	FB 3739	2	
COVER, anti-fume dashboard (RC)	5	FB 4802	1	H
COVER, anti-fume dashboard (RC)		RF 6835	1	J
COVER, anti-fume dashboard (LC)	6	RF 6462	1	
LINK, spring pull off (LC)	7	RG 6025	1	F
LINK, spring pull off (LC)	8	RF 6979	1	G
MOUNTING, seal (LC)	9	RF 6486	1	F
MOUNTING, seal (LC)	10	RF 6995	1	G
NUT, half, .312" dia., stay support bracket	X.24	K 4313/Z	5	
NUT, stationary tube, lower end	11	F 54135	1	
PIECE, distance, cover seal (LC)	12	RF 6461	2	
PACKING, rubber, bracket to column	13	FB 3742	1	
PLATE, anti-fume cover (RC)	14	FB 4803	1	H
PLATE, anti-fume cover (RC)		RF 6834	1	J
PLATE, anti-fume cover (LC)	15	RF 6488	1	
SEAL, felt backing plate steering column (LC)	16	RF 6534	1	
SEAL, felt, steering column (LC)	17	RF 6460	1	
SCREW, set, 2 BA, bracket, pull off spring	X.54	KC 170/Z	1	G
SCREW, cheese head, .250" dia., cover seal (LC)	X.47	K 2022/Z	2	
STAY, column to dashboard (RC)		RF 4442	1	K
STAY, column to dashboard (RC)	18	RF 6181	1	L
STAY, column to dashboard (RC)		RF 6485	1	M
STAY, column to dashboard (LC)		RF 6649	1	L
STAY, column to dashboard (LC)		RE 10548	1	M
TUBE, outer, (RC) assembly, consisting of	19	RF 6697	1	
Bracket, lower end		FW 1332	1	
Bush, oilite		F 88434	1	
Housing for oilite bush		F 88191	1	
Plate, Patent No.		F 89146	1	
Sleeve, upper end		F 88190	1	
Tube		RF 3425	1	
TUBE, outer (LC) assembly as above except		RF 6705	1	
Sleeve, upper end		RF 6521	1	
Tube		RF 6517	1	
TUBE, riding control, (RC) assembly with 1 off Bush, F 73072	20	RF 4365	1	
TUBE, riding control, (LC) assembly with 1 off Bush, FW 1432		RF 6496	1	
TUBE, stationary, (RC) assembly with 1 off packing felt, F.54860	21	RF 4361	1	
TUBE, stationary, (LC) assembly with 1 off packing felt, F.54860		RF 6493	1	

GROUP N1. (Continued overleaf)

## GROUP N1 COLUMN AND FITTINGS (Continued)

TUBE, steering cam (RC) assembly	22	RF 4366	1	
TUBE, steering cam (LC) assembly		RF 6498	1	
TUBE, throttle control (RC) assembly with 1 off Bush F.89596	23	RF 4357	1	
TUBE, throttle control (LC) assembly with 1 off Bush F.89596		RF 6490	1	
TUBE, mixture control (RC) assembly with 1 off Bush F.73960	24	RF 4362	1	
WASHER, column to dashboard stay (.192)	25	RF 6176		B
WASHER, column to dashboard stay (.160)		RF 6177		B
WASHER, column to dashboard stay (.128)		RF 6178		B
WASHER, column to dashboard stay (.080)		RF 6179		B
WASHER, column to dashboard stay (.036)		RF 6180		B
WASHER, dashboard seal mounting (LC)	26	RF 6456	1	
WASHER, locking stationary tube nut	27	F 54842	1	
WASHER, spring, .250" dia., cover seal (LC)		K 9008/Z	2	G
WASHER, spring, 2 BA, bracket pull off spring		K 9006/Z	1	
WASHER, spring, .312" dia., stay and bracket		K 9009/Z	3	
WASHER, plain, support stay, (LC)		K 4410/Z	1	

## GROUP N2. LEVER CENTRE

## Comprising

BOLT, .312" dia., bracket to frame	X.11	K 306/Z	1	N
BOLT, .312" dia., bracket to frame	X.11	K 308/Z	1	N
BOLT, .312" dia., housing to frame	X.11	K 335/Z	3	N
BOLT, .375" dia., bearing housing to front pan	X.57	KC 346/Z	2	O
BOLT, bearing housing	1	RF 8200	2	O
BRACKET, housing to frame	2	RF 3378	1	N
CONNECTION, straight oil pipe	3	Y 8000/123	1	N
CONNECTION, "Tee head" straight through	4	RF 7821	1	O
COVER, housing with bush RF.4076 (RC)	5	RF 4077A	1	N
COVER, housing with bush RF.4076 (LC)		RF 6089	1	N
COVER, upper bearing housing	6	RF 6430	2	O
ELBOW, junction	7	RF 6775	1	
FERRULE, lock plate	8	RF 5302	4	O
HOUSING, bearing with Bush RF.4076	9	RF 4078A	1	N
HOUSING, bearing lower with Bushes RF.6432	10	RF 6429	1	O
HOUSING, bearing upper with Bushes RF.6432	11	RF 6428	1	O
JOINT, cover bearing housing	12	RF 6436	2	O
LEVER, (RC) assembly, consisting of	13	FW 1846	1	N
Clip, oil pipe		G 53540	2	
Connection oil pipe		G 77035	1	
Lever		FW 1839	1	
Pipe, connection to double ball pin end		FW 1843	1	
Pipe, connection to single ball pin end		FW 1844	1	
Pipe, connection to swivel		FW 1845	1	
Plug		E 54697	1	
LEVER, (LC) assembly, as above except		RF 6588	1	N
Lever		RF 615	1	
Pipe, double ball pin		RF 6589	1	
Pipe, single ball pin		RF 6590	1	
Pipe, swivel		RF 6591	1	

GROUP N2. (Continued overleaf)

## GROUP N2. LEVER CENTRE (Continued)

LEVER, centre steering (RC) assembly, consisting of		RF 5307S/A	1	Y
Lever	14	RF 4994	1	
Pipe, oil assembly, consisting of		RF 5307	1	
Clip		G 5354.0	2	
"T" Connection		G 77035	1	
Oil pipe connection to single pin end		RF 5428	1	
Oil pipe connection to side steering tube end		RF 5429	1	
Oil pipe connection to fulcrum end		RF 5430	1	
LEVER, centre steering (RC) assembly as above except	15	RF 9383S/A	1	Q
Pipe, oil assembly, consisting of		RF 9383	1	
Clip		G 5354.0	2	
"T" connection		G 77035	1	
Nut threaded		RE 11236	2	
Oil pipe connection to meter valve		RF 9385	1	
Oil pipe meter valve to side steering tube end		RF 9384	1	
Oil pipe connection to fulcrum end		RF 5430	1	
Sleeve compression		RF 6783	2	
Valve, meter straight		RE 11235	1	
LEVER, centre steering (LC) assembly, consisting of		RF 7441S/A	1	Y
Lever		RF 7405	1	
Pipe, oil assembly, consisting of		RF 7441	2	
Clip		G 5354.0	2	
"T" connection		G 77035	1	
Oil pipe connection to single pin end		RF 7440	1	
Oil pipe connection to side steering tube end		RF 7348	1	
LEVER, centre steering (LC) assembly, as above except		RF 9386S/A	1	Q
Pipe, oil assembly, consisting of		RF 9386	1	
Clip		G 5354.0	2	
"T" connection		G 77035	1	
Nut threaded		RE 11236	2	
Oil pipe connection to single pin end		RF 7440	1	
Oil pipe connection to meter valve		RF 9388	1	
Oil pipe meter valve to side steering tube end		RF 9387	1	
Oil pipe connection to fulcrum end		RF 7439	1	
Sleeve compression		RF 6783	2	
Valve, meter straight		RE 11253	1	
Oil pipe connection to fulcrum end		RF 7349	1	
LEVER, idler, cross steering tube assembly with	16	RF 4995A	1	0
Oil pipe		RF 5308	1	
LINK, centre, cross steering tube assembly with	17	RF 4996A	1	0
Oil pipe		RF 5309	1	
Oil pipe		RF 5310	1	

GROUP N2. (Continued overleaf)

## GROUP N2. LEVER CENTRE (Continued)

NUT, full, .312" dia., bracket and housing to frame bolts	X.21	K 4009/Z	5	
NUT, full, .375" dia., bearing housing to front pan	X.24	K 4316/Z	6	0
NUT, castellated, .437" dia., ball pin centre link	X.20	KB 3587/Z	2	0
NUT, oil pipe junction	18	RF 6786	1	N
NUT, oil pipe junction	19	RF 6786	3	0
NUT, cap, ball joint	20	RF 4998	2	0
PAD, ball, centre steering link	21	GW 1075	2	0
PIN, ball end	22	RF 8235	2	P
PIN, ball end	23	RF 8287	2	Q
PIN, split	X.31	K 4608/Z	2	0
PIN, swivel	24	RF 4075	1	N
PIN, swivel	25	RF 9025	2	0
PIPE, oil, fulcrum pin housing	26	RF 7827	1	0
PLATE, lock, cap nut	27	RF 5301	2	0
SCREW, 2 BA, cover to housing	X.50	K 2801/Z	2	N
SCREW, 2 BA, cover to housing	X.50	K 2810/Z	6	0
SEATING, spring	28	RF 8288	2	Q
SCREW, cheese head, 2 BA, lock plate	X.46	K 1913/Z	4	0
SLEEVE, compression, oil pipe junction	29	RF 6783	1	N
SLEEVE, compression, oil pipe junction	30	RF 6783	3	0
SPRING, valve	31	G 83613	1	N
SPRING, valve	32	GB 4875	2	0
SPRING, ball joint	33	RF 4999	2	0
VALVE, fulcrum pin	34	RF 4074	1	N
VALVE, fulcrum pin	35	RF 6433	4	0
WASHER, adjusting bracket	36		2	N/B
.056 thick RF 3380		.128 thick RF 3383		
.080 thick RF 3381		.160 thick RF 3384		
.104 thick RF 3382				
WASHER, adjusting swivel pin	37		2	N/B
.105 thick RF 3800		.113 thick RF 3802		
.109 thick RF 3801		.121 thick RF 3804		
.117 thick RF 3803		.129 thick RF 3806		
.125 thick RF 3805		.137 thick RF 3808		
.133 thick RF 3807		.145 thick RF 3810		
.141 thick RF 3809				
WASHER, adjusting, .375" dia., housing to pan		K 8808/Z		0/B
WASHER, felt fulcrum	38	GB 2768	2	N
WASHER, plain, .312" dia., frame bolts	X.85	K 4410/Z	2	0
WASHER, plain, 1.250" dia., cap nut ball joint	X.83	KB 1095/Z	2	0
WASHER, plain, .375" dia., pan to housing	X.84	KB 3907/Z	2	0
WASHER, sealing, ball joint	39	RF 5300	2	0
WASHER, sealing, fulcrum pin	40	RF 6434	4	0
WASHER, shim adjusting fulcrum pin				
.002 thick RF 9004	41			0/B
.005 thick RF 9005				0/B
WASHER, spring, .312" dia., frame bolts	X.85	K 9009/Z	5	N
WASHER, spring, 2 BA, locking plate	X.87	K 9006/Z	4	0
WASHER, spring, .375" dia., fulcrum housing bolt	X.87	K 9010/Z	6	0

## GROUP N3. LEVER PENDULUM

## Comprising

CLIP, oil pipe to centre of lever	1	RF.3272	1	
CONNECTION, valve (ZS.1) lever ball end	2	RE.10673	1	
COVER, coiled pipe (RC)	3	FW.1334	1	
COVER, coiled pipe (LC)		RF.6142	1	
LEVER, pendulum (RC)	4	RF.3441	1	N
LEVER, pendulum (RC)	5	RF.4898	1	O
LEVER, pendulum (LC)		RF.6795	1	N
LEVER, pendulum (LC)		RF.7406	1	O
NUT, oil pipe connection	6	RF.6786	1	
PIPE, oil (RC) assembly, consisting of	7	RF.4522	1	N
Clip, coiled pipe to bar cover		FW.1339	1	
Connection, joining both pipes		FW.1338	2	
Pipe, back of dashboard to steering box		RF.5050	1	
Pipe, coiled		RF.3270	1	
Pipe, short connection to valve		RF.3271	1	
PIPE, oil (RC) assembly, as above except	8	RF.8236A	1	O
Pipe, coil		RF.8237	1	
Pipe, short connection to valve		RF.8238	1	
PIPE, oil (LC) assembly, consisting of		RF.6138A	1	N
Clip, coiled pipe to box cover		FW.1339	1	
Connection, joining both pipes		FW.1338	1	
Pipe, back of dash board to steering box		RF.6140	1	
Pipe, coiled		RF.6139	1	
Pipe, short, connection to valve		RF.6141	1	
PIPE, oil (RC) assembly as above except		RF.8333A	1	O
Pipe, coiled		RF.8334	1	
Pipe, short, connection to valve		RF.8335	1	
SLEEVE, compression	9	RF.6783	1	

## GROUP N4. LEVER, STUB AXLE

## Comprising

BOLT, long	1	FB.4992	2	N
BOLT, short	2	FB.4991	2	N
BOLT	2	RF.8198	4	O
BUSH, threaded		RF.6780	2	O
LEVER, L.H. assembly, consisting of	3	FB.4874A	1	N
Clip		G. 53540	1	
Connection		F. 78492	1	
Lever		FB. 4874	1	
Pipe	4	RF. 3124	1	

GROUP N4. (Continued overleaf)

## GROUP N4. LEVER, STUB AXLE (Continued)

LEVER, L.H. assembly, consisting of	5	RF 4897A	1	0
Clip		G 53540	1	
Lever		RF 4897	1	
Pipe	6	RF 5312	1	
LEVER, R.H. assembly as for L.H. except		FB 4873A	1	N
Lever		FB 4873	1	
Pipe		RF 3123	1	
LEVER, R.H. assembly, as for L.H. except		RF 4896A	1	0
Lever		RF 4896	1	
Pipe		RF 5311	1	
NUT, castellated, .500" dia., bolts	7	KB 3593/Z	4	
PIECE, distance, axle pivot to cross steering lever	8	RF 8197	2	0
PIN, split, .125" dia., bolts	9	K 4614/Z	4	
SLEEVE, compression		RF 6783	2	0

## GROUP N5. STEERING BOX MOUNTING

## Comprising

BEARING, Timken roller, rocking shaft assembly	1		2	
BEARING, Timken roller, box assembly	2		2	
BOLT, .312" dia., mounting bracket (RC)	3	RF 4294	3	N
BOLT, .437" dia., mounting bracket (RC)		RF 6361	3	0
BOLT, .437" dia., mounting bracket (LC)		RF 6361	3	
BOLT, roller assembly	4	FW 1486	1	
BOX, steering, assembly (RC) consisting of	5	RF 5265A	1	•
Box		RF 5265	1	
Stud, 2 BA, stationary tube guide		RF 3273	1	
Stud, .250" dia., rocking shaft cover, long		KB 756/Z	2	
Stud, .250" dia., rocking shaft cover, short		KB 752/Z	3	
Stud, .312" dia., bracket		KB 802/Z	5	
Stud, .312" dia., column flange		KB 806/Z	4	
BOX, steering assembly, (LC) consisting of		RF 6098A	1	
Box		RF 6098	1	
Stud, 5 BA, heatshield		RF 7859	3	
Stud, .250" dia., rocking shaft cover		KB 752/Z	5	
Stud, .312" dia., bracket		KB 802/Z	5	
Stud, .312" dia., column flange		KB 806	4	
BRACKET, mounting steering box (RC)	6	RF 3110	1	N
BRACKET, mounting steering box (RC)		RF 7398	1	0
BRACKET, mounting steering box (LC)		RF 6358	1	
BRACKET, throttle control (LC)		RE 7742	1	
COVER, rocking shaft bore	7	FW 907	1	

GROUP N5. (Continued overleaf)



## GROUP N5. STEERING BOX MOUNTING (Continued)

GUIDE, stationary tube	8	F 5437	1	
JOINT, box to mounting bracket	9	F 89787	1	
JOINT, rocking shaft cover	10	FW 163	1	
JOINT, stationary tube guide	11	F 75305	2	
NUT, castellated, .312" dia., mounting bolt (RC)	X.20	KB 3583/Z	3	N
NUT, castellated, .437" dia., mounting bolt (RC)	X.20	KB 3587/Z	3	O
NUT, castellated, .437" dia., mounting bolt (LC)		KB 3587/Z	3	
NUT, full, .250" dia., rocking shaft cover	X.21	K 4008/Z	5	
NUT, full, .312" dia., box to bracket	X.21	K 4009/Z	5	
NUT, full, .312" dia., steering column	X.21	K 4009/Z	4	
NUT, half, 2 BA, stationary tube guide stud (RC)	X.24	K 4307/Z	2	
NUT, half, 5 BA, heatshield	X.24	K 4301/Z	5	
NUT, .750" dia., pendulum lever, retaining	X.24	K 4334/Z	1	
NUT, roller assembly, retaining bolt	12	FW 1487	1	
PIECE, distance, mounting bracket bolt (RC)	13	FB 4989	3	N
PIN, split, .062" dia., (RC)	X.31	K 4603/Z	3	N
PIN, split, .093" dia., (RC)		K 4609/Z	3	O
PIN, split, .093" dia., (LC)		K 4609/Z	3	
PLATE, base mounting bracket (RC)		RF 6359	1	O
PLATE, heatshield (LC)		RF 6360	2	
PLUG, .625" dia., grease filler	X.27	KB 1062/Z	1	
ROLLER, steering cam assembly	14	RF 3294	1	A
ROLLER, steering cam assembly		RF 8362	1	A
SCREW, 2 BA, hand throttle control bracket (LC)		KC 152/Z	1	A
SEAL, "Perfect", rocking shaft	15	RF 8531	1	
SHAFT, rocking (RC)	16	RF 3392	1	
SHAFT, rocking (LC)		RF 6092	1	
SLEEVE, adjusting, cam bore	17	FW 906	1	
TAB, locking, stationary tube guide	18	F 71842	1	
WASHER, adjusting cam	19			

.001 thick FW 687	.0015 thick FW 688
.002 thick FW 689	.0025 thick FW 690
.035 thick RF 3289	.038 thick RF 3299
.041 thick RF 3300	.044 thick RF 3301
.047 thick RF 3302	.050 thick RF 3303
.053 thick RF 3304	.054 thick RF 3305
.059 thick RF 3306	.062 thick RF 3307
.065 thick RF 3308	.068 thick RF 3309

WASHER, Grover, heatshield (LC)	20	K 4503/Z	9	
WASHER, adjusting, roller				

.002 thick FW 915	.003 thick FW 916
.005 thick FW 2002	.006 thick FW 2003
.007 thick FW 2004	.008 thick FW 2005
.009 thick FW 2006	.010 thick FW 2007

WASHER, adjusting shaft	21			
-------------------------	----	--	--	--

.002 thick FW 693	.0025 thick FW 694
.003 thick FW 652	.011 thick FW 653
.046 thick FW 155	.048 thick FW 156
.050 thick FW 157	.052 thick FW 158
.054 thick FW 159	.056 thick FW 160

GROUP N5. (Continued overleaf)

## GROUP N5. STEERING BOX MOUNTING (Continued)

WASHER, adjusting, stationary tube guide	22			
.040 thick F.71886		.050 thick F.71887		
.060 thick F.71888		.070 thick F.71889		
.080 thick F.71890				
WASHER, aluminium, .625" dia., filler plug	X.83	KB 1081	1	
WASHER, lock, pendulum lever nut retaining	23	G 56472	1	
WASHER, plain, .250" dia., throttle control bracket (RC)	X.85	K 4407/Z	2	
WASHER, plain, .312" dia., mounting bracket bolt	X.85	K 4410/Z	3	N
WASHER, plain, 2 BA, hand throttle control bracket (LC)		K 4404/Z	2	
WASHER, plain, .437" dia., mounting bracket bolt (RC)	X.85	K 4416/Z	3	O
WASHER, plain, .437" dia., mounting bracket bolt (LC)		K 4416/Z	3	
WASHER, spring, 2 BA, stationary tube guide stud	X.87	K 9006/Z	2	
WASHER, spring, .250" dia., rocking shaft cover	X.87	K 9008/Z	5	
WASHER, spring, .312" dia., box to bracket stud	X.87	K 9009/Z	5	
WASHER, spring, .312" dia., steering column stud		K 9009/Z	4	

NOTE: For use with steering yoke to which no lockstop pin is fitted. If pin is fitted and cannot be changed use Box. FB.3733A.

## GROUP N6. TUBE CROSS (2 off per Chassis)

Comprising

BALL, steel, .312" dia.	1	RG 6131	2	A
BALL, steel, .312" dia.		RG 6594	2	A
BOLT, .250" dia., clamping	2	FB 3191	1	T
BOLT, .250" dia., clamping		RF 8053	1	U
BOLT, .312" dia., clamping		RF 8090	1	V
EXCLUDER, dust	3	FW 1924	2	
NUT, cap	4	GW 1519	2	
NUT, castellated, .250" dia., clamping bolt	X.20	KB 3581/Z	1	T
NUT, castellated, .312" dia., clamping bolt	X.20	KB 3583/Z	1	U/V
NUT, castellated, .437" dia., clamping bolts	X.20	KB 3587/Z	2	
PAD, ball	5	GW 1075	2	
PAD, spring	6	FW 995	2	
PIN, ball	7	FW 1903	2	
PIN, split, .062" dia., clamping	X.31	K 4602/Z	1	
PIN, split, .092" dia., ball pin	X.31	K 4608/Z	2	
PLATE, locking cap nut	8	GW 1520	2	
SCREW, 2 BA, cap nut, locking plate	X.46	K 1907/Z	4	N
SCREW, 2 BA, cap nut, locking plate		K 1910/Z	4	O
SOCKET, inner		RF 3251	1	T
SOCKET, inner		RF 8049	1	U
SOCKET, inner	9	RF 8089	1	V
SPRING, exterior	10	FW 403	2	
SPRING, exterior	11	GW 1073	2	

GROUP N6. (Continued overleaf)

## GROUP N6. TUBE CROSS (2 off per Chassis) (Continued)

TUBE, assembly, consisting of	12	RF 3253	1	N
Pin, taper		K 4819	2	
Socket, outer		FB 3469	1	
Tube		RF 3253	1	
TUBE, assembly, consisting of		RF 5304	1	O
Pin, taper		K 4819	1	
Socket, outer		RF 5303	1	
Tube		RF 5304	1	
WASHER, spring, 2 BA, cap nut locking plate	X.87	K 9006/Z	4	

## GROUP N7. TUBE, SIDE

Comprising

BALL, steel, front socket		RF 9362	16	Q
BALL, steel, .312" dia., front socket	1	RG 6131	1	A
BALL, steel, .312" dia., front socket		RG 6594	1	A
BOLT, .250" dia., clamping front socket	2	RF 3262	1	T
BOLT, .312" dia., clamping front socket		RF 8052	1	W
BOLT, .312" dia., clamping front socket		RF 7369	1	X
DISC, sealing dust excluder	3	RF 3563	2	P
EXCLUDER, dust	4	RF 3562	1	
GUIDE, ball pad, rear socket	5	RF 4433	2	N
GUIDE, ball pad, rear socket		FW 1707	2	O
NUT, cap, front socket	6	RF 3560	1	
NUT, cap, rear socket	7	RF 4432	1	
NUT, castellated, .250" dia., front clamping bolt	X.20	K 4208/Z	1	T
NUT, castellated, .312" dia., front clamping bolt	X.20	K 4209/Z	1	W/X
NUT, castellated, .500" dia., ball pin		KB 3593/Z	2	
NUT, full, 2 BA, front cap locking plate		K 4006/Z	1	
PAD, ball lower, front socket	8	FW 996	1	P
PAD, ball, rear socket	9	FW 1706	2	
PAD, ball, rear socket to suit spring RF.6215		RF 6216		B
PAD, spring, front socket	10	FW 995	1	
PIECE, distance rear socket		RF 9539	2	Q
PIN, ball, front socket	11	FW 1000	1	
PIN, ball, rear socket assembly with 1 off plug F.77658	12	FW 390A	1	
PIN, split, .062" dia., front socket bolt	X.31	K 4602/Z	1	
PIN, split, .125" dia., ball pin	X.31	K 4614/Z	2	
PIN, split, .125" dia., rear socket	X.31	K 4616/Z	1	
PLATE, locking, front cap nut, .250" dia., bolt type		FW 876	1	T
PLATE, locking, front cap nut, .312" dia., bolt type	13	RF 8051	1	W/X
SLEEVE, front socket, cap nut	14	RF 3561	1	P
SLEEVE, front socket, cap nut		RF 9360	1	Q
SLEEVE, ring, front socket		RF 9361	1	Q
SOCKET, front, adjustable, assembly with 1 off stud, RF.3261		RF 3509	1	T

GROUP N7. (Continued overleaf)

## GROUP N7. TUBE SIDE, (Continued)

SOCKET, front, adjustable, assembly with 1 off stud KB.3821	15	RF 8050A	1	W/X
SPRING, front socket	16	GW 1073	1	
SPRING, rear socket	17	RF 4434	2	N
SPRING, rear socket		FB 4925	2	F/F
SPRING, rear socket, (lower rating than standard)		RF 6215	2	B
SPRING, rear socket		RF 9538	2	Q
SPRING, sealing disc	18	FW 403	2	Y
TUBE, side assembly (RC)	19	RF 3586	1	N
TUBE, side assembly (RC)		RF 5306	1	O
TUBE, side assembly (LC)		RF 6386	1	N
TUBE, side assembly (RC)		RF 7409	1	O
WASHER, locating, pendulum lever	20	FW 391/Z	1	
WASHER, spring, 2 BA, cap nut lock plate	X.87	K 9006/Z	1	

## GROUP N8. WHEEL AND CENTRE CONTROLS

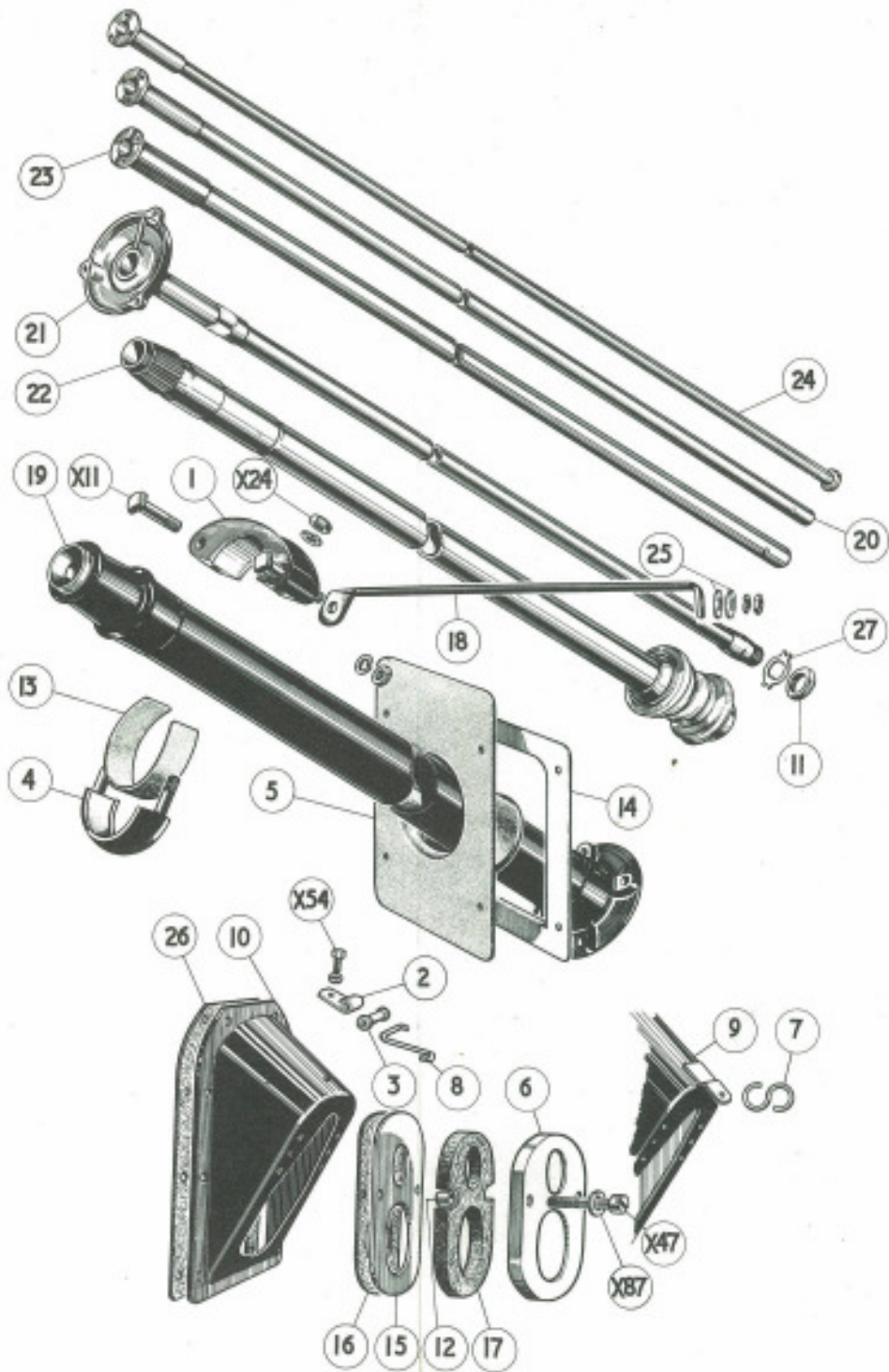
## Comprising

BOLT, 3 BA, mixture control, lower lever (RC)	X. 8	K 3629/Z	1	
BOLT, 2 BA, riding control, lower lever	X. 9	K 132/Z	1	
BOLT, 2 BA, throttle control, lower lever	X. 9	K 133/Z	1	
BUTTON, horn assembly, consisting of	1	RF 3422A	1	
Button		RF 3422	1	
Pin, taper, .062" dia.		K 4870	1	
Rod, push		FB 1039	1	
CONTACT, assembly, with nut F.58687	2	F 83987	2	
CUP, control lever spring	3	F 58671	6	
HOLDER, spring, mixture and riding control levers, assembly with pedestal F.58670	4	F 87730	2(1 off on LC)	
HOLDER, spring throttle	5	F 87730	1	
INSULATOR, cable	6	RF 3421	1	
INSULATOR, contact	7	RF 3424	1	
LEVER, lower mixture control assembly with ball pin RE.3527 (RC)	8	RE 9667	1	
LEVER, lower, riding control, assembly with ball pin RE.3527 (RC)	9	RE 4820	1	
LEVER, lower, riding control (LC)		RE 8222	1	
LEVER, lower, throttle control, assembly, with ball pin RE.3527	10	RE 9668	1	
LEVER, quadrant, mixture control, (RC) assembly with	11	RF 5002A	1	
Knob		RF 8401	1	
Rivet, .187" dia., countersunk head		KB 12123	1	
Tooth		F 87738	1	
LEVER, quadrant, riding control assembly with	12	RF 5004A	1	
Knob		RF 8401	1	
Rivet, .187" dia., countersunk		KB 12123	1	
Tooth		F 87738	1	

GROUP N8. (Continued overleaf)

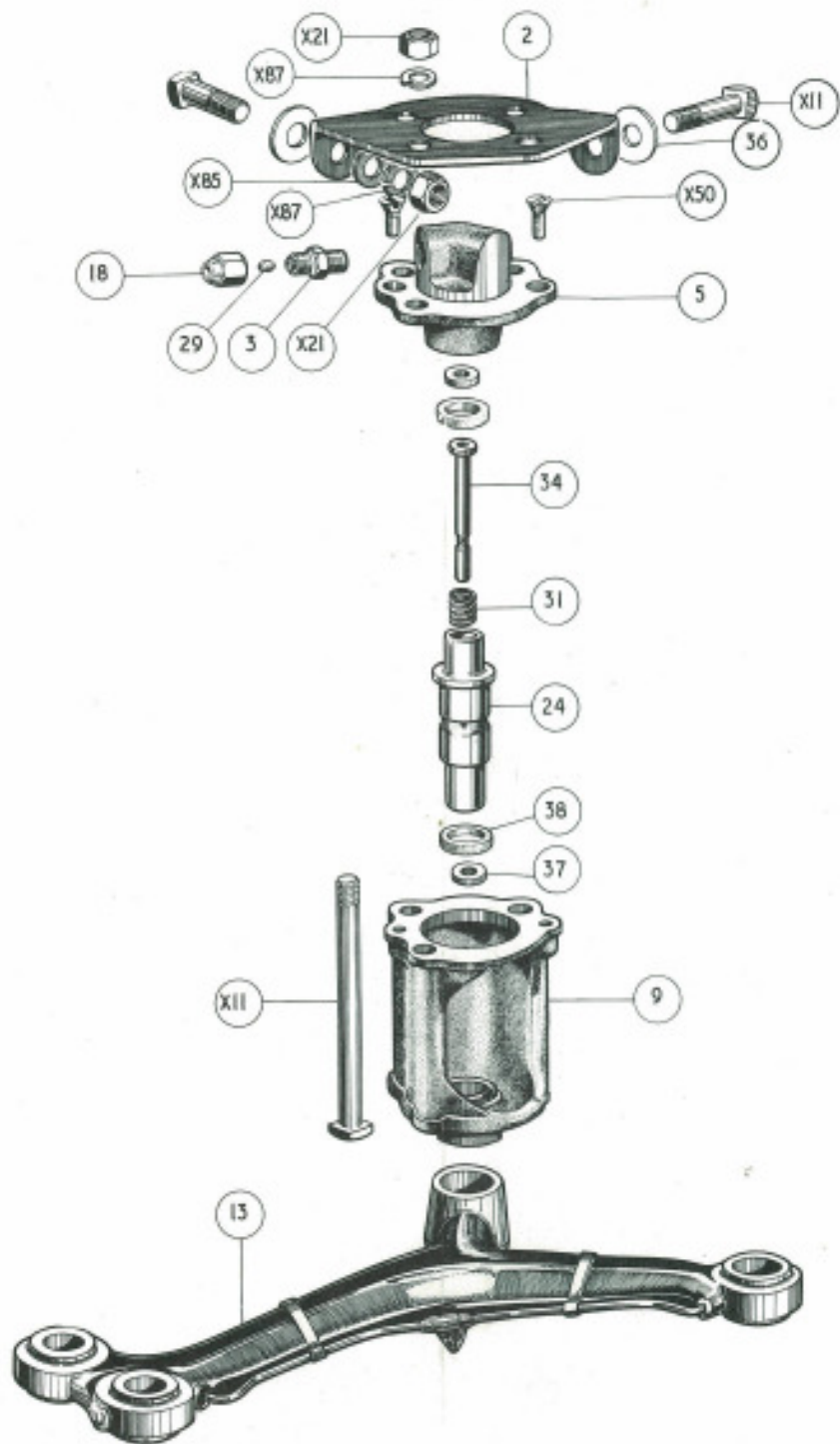
## GROUP N8. WHEEL AND CENTRE CONTROLS (Continued)

LEVER, quadrant, throttle control assembly as for RF.5004A except cover	13	RF 5003A	1
NUT, half, 3 BA, mixture control lever	X.24	K 4304/Z	1
NUT, half, 2 BA, lower control lever bolt	X.24	K 4307/Z	2
NUT, steering, wheel retaining	14	F 57659	1
PIN, control lever springs (RC)	15	G 77718	3 (2 off LC)
PLATE, locking, steering wheel nut	16	F 87732	1
QUADRANT, control assembly, with insert FB.4981 (RC)	17	RF 4530A	1
QUADRANT, control assembly, with insert FB.4981 (LC)		RF 6542	1
SCREW, countersunk head, spring holders	18	F 58672	9
SCREW, 5 BA, lockplate retaining	X.48	K 2601/Z	5
SCREW, 2 BA, quadrant	19	F 57145	3
SCREW, terminal	20	F 58688	1
SPRING, control lever	21	FB 42	2
SPRING, horn button	22	RF 4435	1
WASHER, adjusting contact gap	23		1
.002 thick FB 532		.032 thick FB 533	
.040 thick FB 534			
WASHER, spring, 2 BA, lower control lever bolt	X.87	K 9006/Z	2
WASHER, spring, 3 BA, mixture control lever bolt	X.87	K 9005/Z	1
WASHER, spring, 2 BA, quadrant screw	X.87	K 9006/Z	3
WASHER, steering wheel nut	24	E 72975	1
WHEEL, steering	25	RF 5974	1



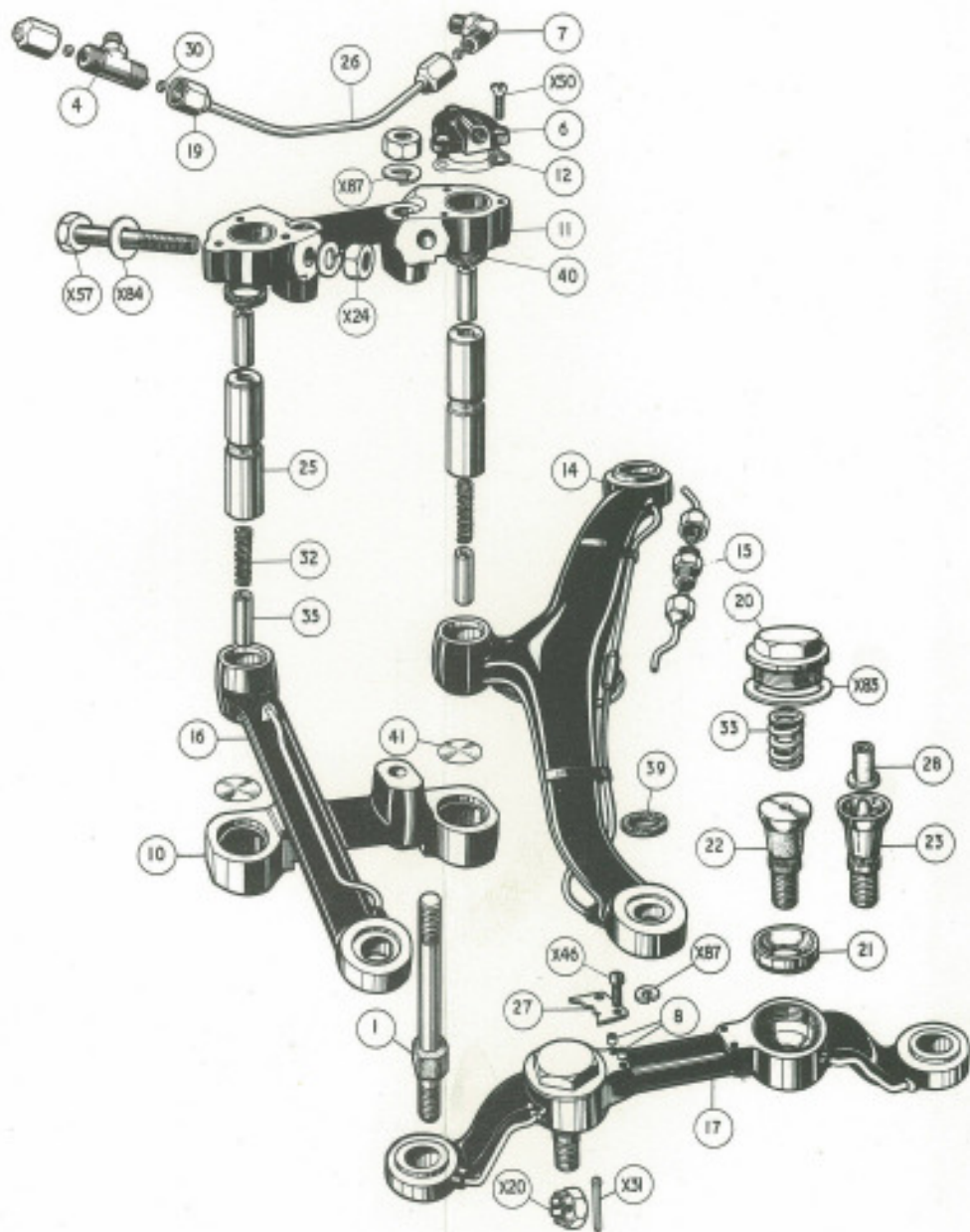
GROUP NI





GROUP N2

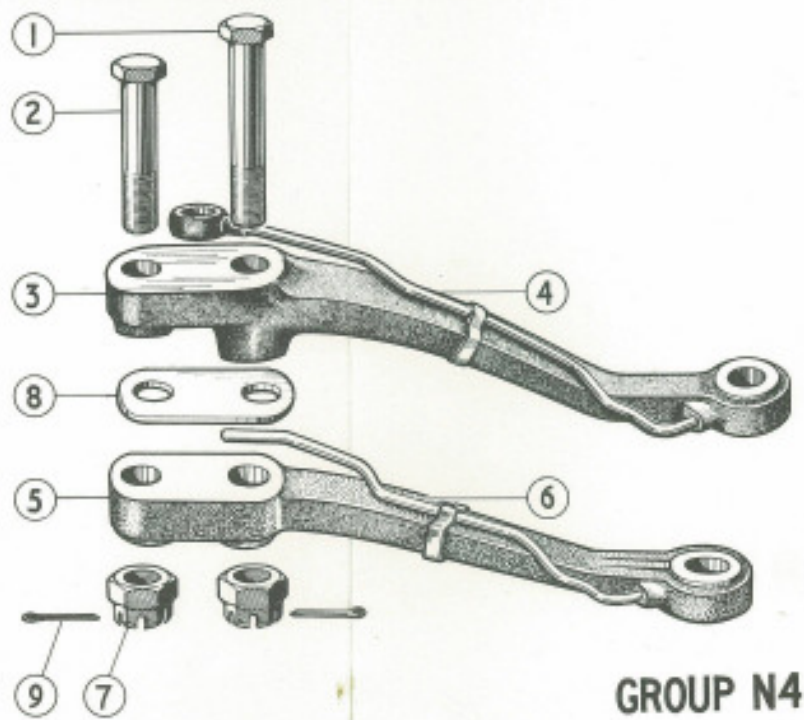
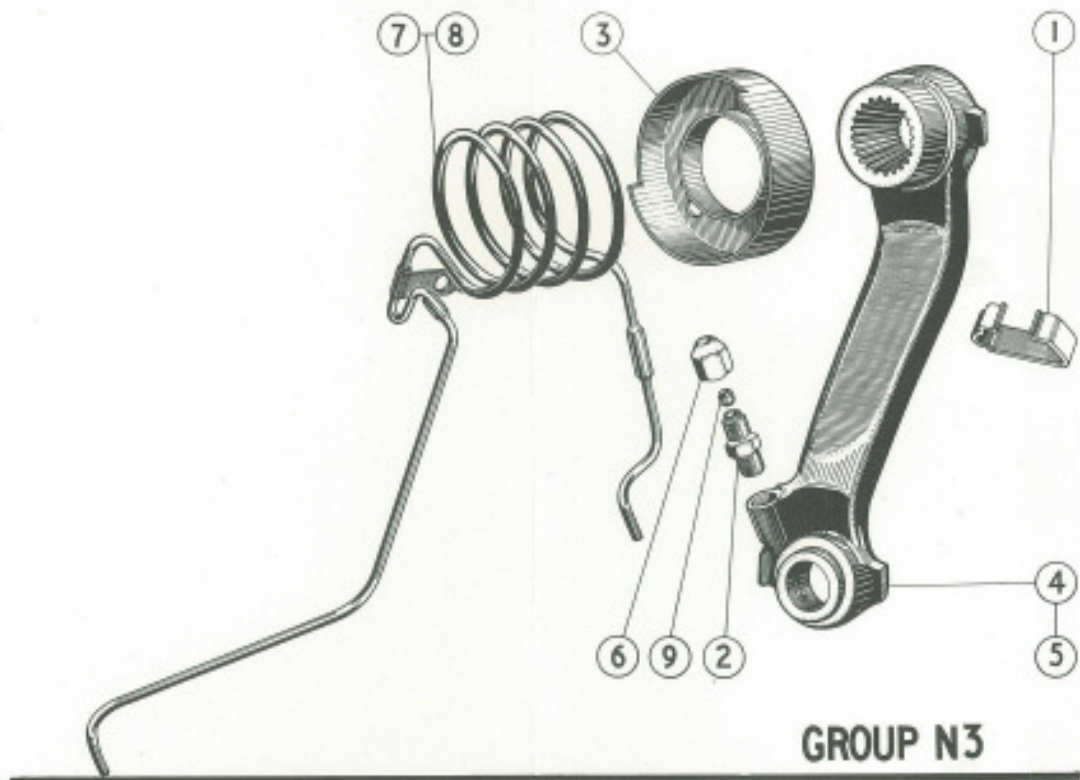


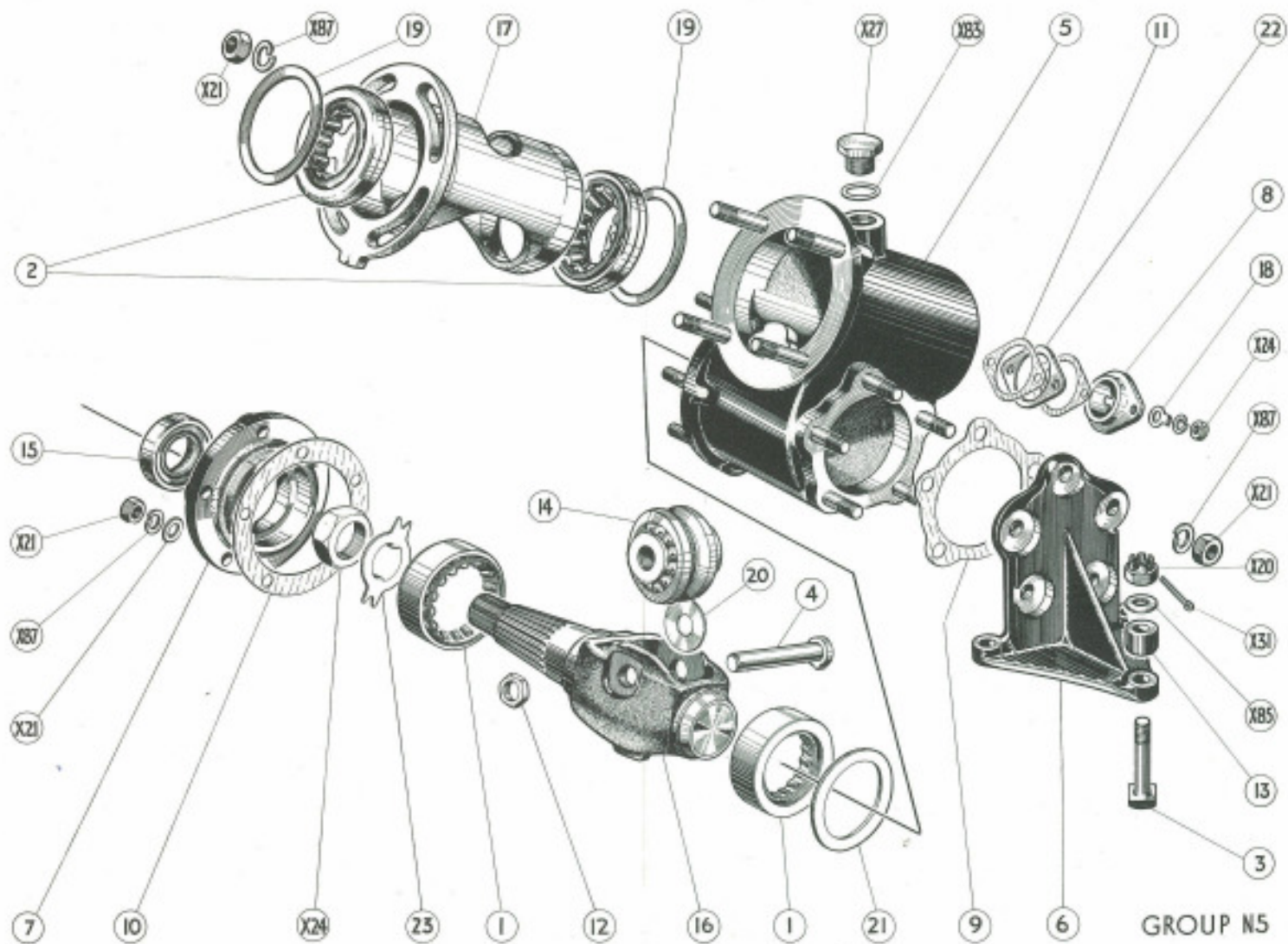


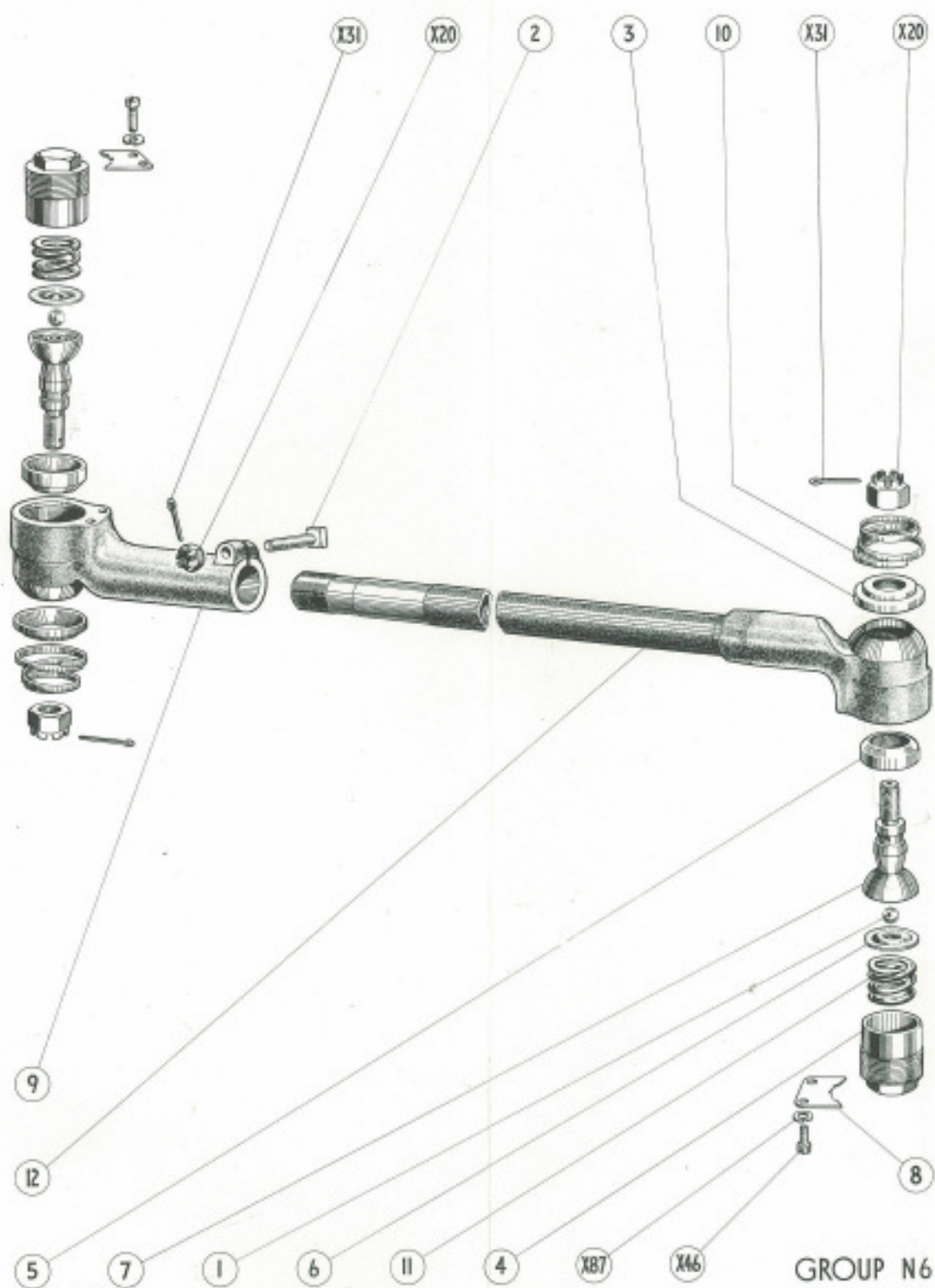
GROUP N2

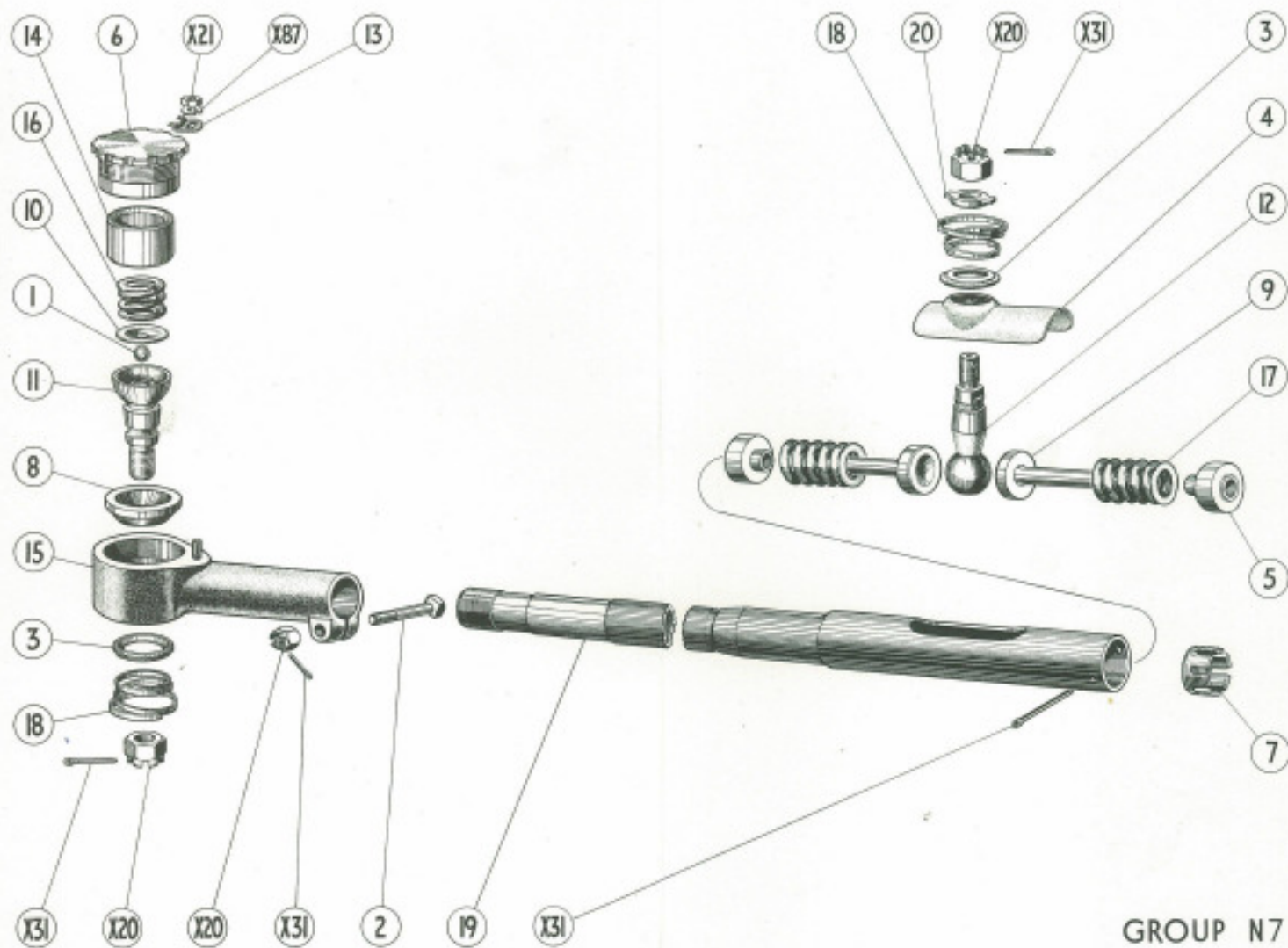






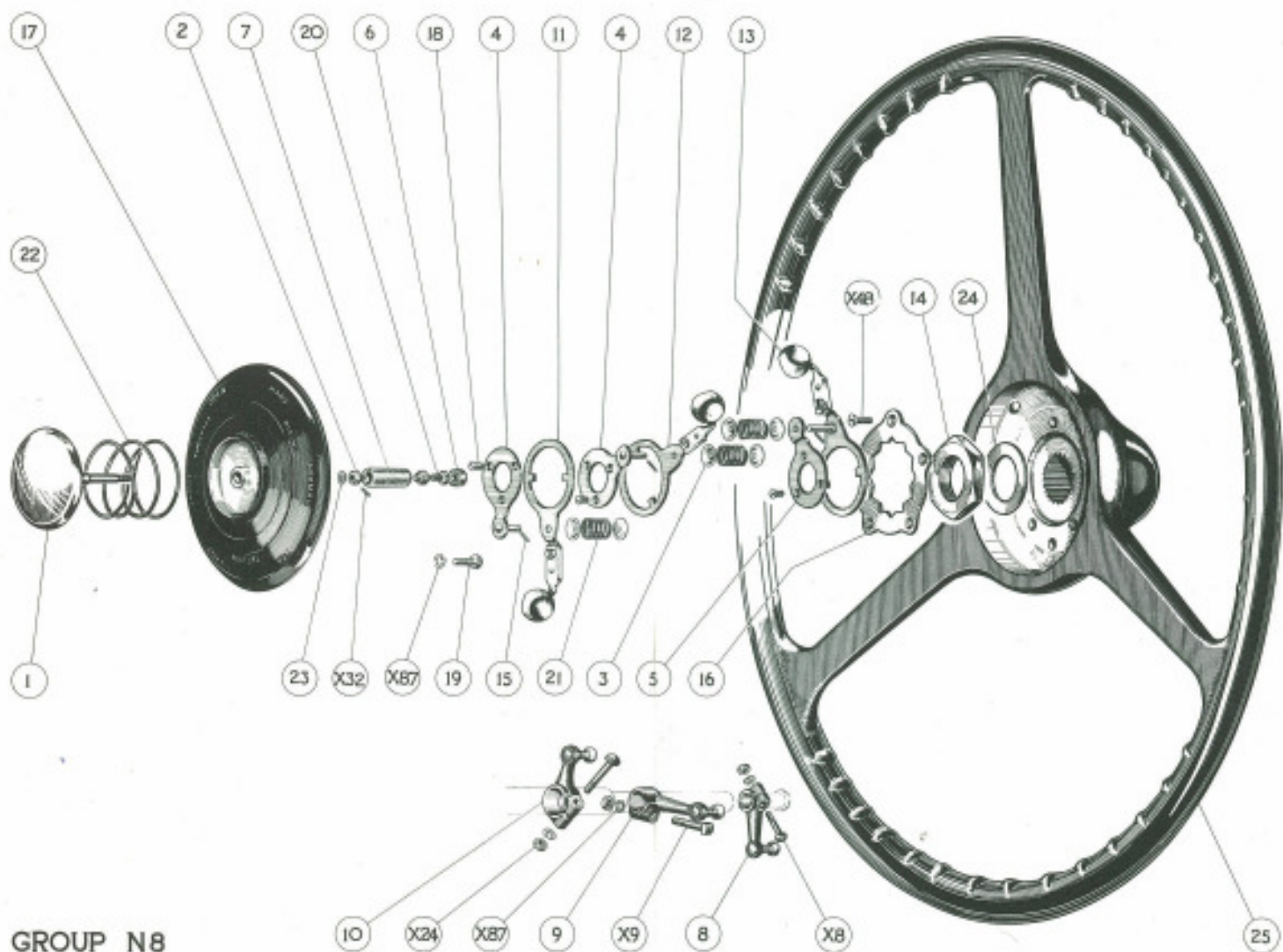






GROUP N7





GROUP N8

