

BENTLEY MK. VISECTION KREAR AXLE AND DRIVE SHAFTS

Containing:-

- GROUP 1 AXLE
2 CASING, MAIN
3 CROWN GEARS
4 DIFFERENTIAL UNIT
5 PLATE END

KEY TO CHASSIS NUMBERS

Used on	A & B Series	= F
" "	C Series onwards	= G
" "	M Series onwards (On cars exported to France only)	= H

GROUP K1. AXLE

Comprising

AXLE, assembly, R.H., consisting of	1	RG 6978	1	F
Bearing, Fischer		RG 6974	1	A
Bearing, New Departure		RG 6981	1	A
Collar		RG 6975	1	
Housing, bearing		RG 7021	1	
Nut, wheel stud		K 4322/Z	5	
Piece, distance bearing		RG 6982	1	
Piece, distance, spigot plate		RG 3181	1	
Plate, spigot		RG 7020	1	
Plate, spring		RG 3373	1	
Shaft		RG 6976	1	
Stud, wheel		GB 3832	5	
AXLE, assembly, L.H., as for R.H., except		RG 6979	1	F
Shaft		RG 6977	1	
Stud, wheel		GB 4468	5	
AXLE, assembly, R.H., consisting of		RG 7016	1	G
Bearing, Fischer		RG 6986	1	A
Bearing, New Departure		RG 5365	1	
Collar, shaft bearing		GB 4956	1	
Housing, bearing		RG 7021	1	
Nut, wheel stud		K 4322/Z	5	
Piece, distance bearing		RG 3180	1	
Piece, distance, spigot plate		RG 3181	1	
Plate, spigot		RG 7020	1	
Plate, spring		GB 4955	1	
Shaft		RG 4346	1	
Stud, wheel		GB 3832	5	
AXLE, assembly, L.H. as above except		RG 7017	1	
Shaft		RG 4345	1	
Stud, wheel		GB 4468	5	
BOLT, brake equaliser support	2	RG 5462	1	
BOLT, .375" dia., spigot plate to tube	3	RG 7415	10	
NUT, castellated, .250" dia., brake equaliser support (when rubber support is fitted)	X.20	K 3581/Z	1	
NUT, castellated, .250" dia., brake equaliser support, (swinging link type)		KB 3637/Z	1	
NUT, disc wheel, L.H.	4	GB 4469	5	
NUT, disc wheel, R.H.		GB 4470	5	
NUT, full spigot plate to tube	X.21	K 4010/Z	10	
NUT, sleeve, brake equaliser bar	5	RG 3546	1	
PIN, split, brake equaliser bar	X.31	K 4602/Z	1	
TUBE, axle, L.H. assembly with bracket RG 3198	6	RG 7018	1	
TUBE, axle, R.H. assembly with bracket RG 3198		RG 7019	1	
WASHER, Grover, spigot plate to tube	X.81	K 4510/Z	10	

GROUP K1. (Continued overleaf)

GROUP K1. AXLE (Continued)

WASHER, plain, brake equaliser bar (when rubber support is fitted)	7	RG 3547	1	
WASHER, plain, brake equaliser bar (when swinging link support is fitted)		KB 3905/Z	1	

GROUP K2. CASING, MAIN

Comprising

BEARING, roller pinion nose	1	GB 3254	1	A
BEARING, roller pinion nose		RG 7155		A
BEARING, roller pinion nose		RG 7156		A
BOLT, .250" dia., pinion nose bearing	X.10	K 210/Z	3	
BOLT, .250" dia., pinion nose bearing	X.10	K 209/Z	2	
BREATHER, assembly, consisting of	3	RG 6117	1	
Adaptor		GB 823	1	
Cap		G 78466	1	
Plug		G 78468	1	
BRIDGE, pinion nose bearing	4	GB 4590	1	
CASING, main assembly, consisting of	5	RG 4259	1	
Casing		RG 4259	1	
Stud, .250" dia., R.H. oil seal housing		KB 351/Z	6	
Stud, .250" dia., thrust bearing housing		KB 352/Z	9	
Stud, .312" dia., end plates (front 3 positions each side)		KB 401/Z	6	
HOUSING, spring	6	RG 4260	1	
LOCKPLATE, .250" dia., oil seal housing	X.89	KB 7106	6	
NUT, full, .250" dia., pinion nose bearing	X.21	K 4008/Z	3	
NUT, full, .312" dia., end plate studs	X.21	K 4009/Z	34	
NUT, half, .250" dia., thrust bearing housing, oil seal housing and pinion nose bearing	X.24	K 4310/Z	17	
PLATE, pinion nose bearing, retaining	7	GB 4481	2	
PLUG, drain, and oil level	6	RG 3744	2	
SEAL, perfect, oil R.H. differential	9	RG 4264	1	
SPRING, bearing	10	RG 4261	1	
STUD, end plate retaining (except front 3 positions on each side) assembled with Nut K 4009	11	RG 6031	14	
WASHER, Grover, .250" dia., thrust bearing housing	X.81	K 4508/Z	9	
WASHER, Grover, .312" dia., end plate studs	X.81	K 4509/Z	20	
WASHER, joint breather drain plug and oil level plug	X.85	KB 1084	3	
WASHER, plain, .250" dia., pinion nose bearing	X.85	K 4407/Z	2	
WASHER, thrust bearing spring	12	RG 4263	1	

GROUP K3. CROWN GEARS

Comprising

BEARING, pinion thrust	1	GB 4472	1	A
BEARING, pinion thrust		RG 4956	1	A
COVER, pinion bearing housing	2	GB 4508	1	
FLANGE, driving	3	GB 4639	1	
GEARS, 11 to 41 ratio assembly, consisting of	4	RG 3042A	1	
Pinion bevel		GB 4958	1	
Wheel, bevel		RG 3042	1	
GEARS, 12 to 41 ratio assembly, consisting of		RG 6037A	1	H
Pinion bevel		RG 6038	1	
Wheel, bevel		RG 6037	1	
HOUSING, pinion bearing	5	GB 4509	1	
KEY, Woodruff, pinion, .1875" wide	X.18	KC 515	2	A
KEY, Woodruff, pinion, .188" wide		KC 516		A
KEY, Woodruff, pinion, .1885" wide		KC 517		A
KEY, Woodruff, pinion, .189" wide		KC 518		A
NUT, driving, flange, retaining	X.24	K 4540/Z	1	
NUT, pinion bearing, retaining	X.23	KE 3521/Z	1	
SCREW, hexagon head, .375" dia., crown wheel	X.57	KC 330/Z	12	
WASHER, adjusting, pinion bearing	6		1	A
.130 thick	RG 3406	.140 thick	RG 3411	
.132 thick	RG 3407	.142 thick	RG 3412	
.134 thick	RG 3408	.144 thick	RG 3413	
.136 thick	RG 3409	.146 thick	RG 3414	
.138 thick	RG 3410	.148 thick	RG 3415	
WASHER, adjusting pinion housing	7		1	A
.075 thick	GB 4640	.112 thick	GB 4643	
.087 thick	GB 4641	.125 thick	GB 4644	
.100 thick	GB 4642	.140 thick	RG 4404	
WASHER, distance, nut to bearing	8	GB 3662	1	
WASHER, felt bearing cover	9	G 8361	1	
WASHER, locking, .375" dia., crown wheel screw	X.89	KB 7108	12	
WASHER, locking, driving flange nut	X.89	KB 7116	1	
WASHER, locking, pinion bearing retaining nut	10	<u>GB 4638</u>	1	

GROUP K4. DIFFERENTIAL UNIT

Comprising

BEARING, taper roller	2	RG 4411	2	
CASING, differential assembly, consisting of	3	RG 4262	1	
Casing, L.H. flanged		RG 3044	1	
Casing, R.H. flanged with studs		RG 3048	1	
Nut, full, .312" dia.,		K 4009/Z	8	
Washer, locking		GW 524	8	

GROUP K4. (Continued overleaf)

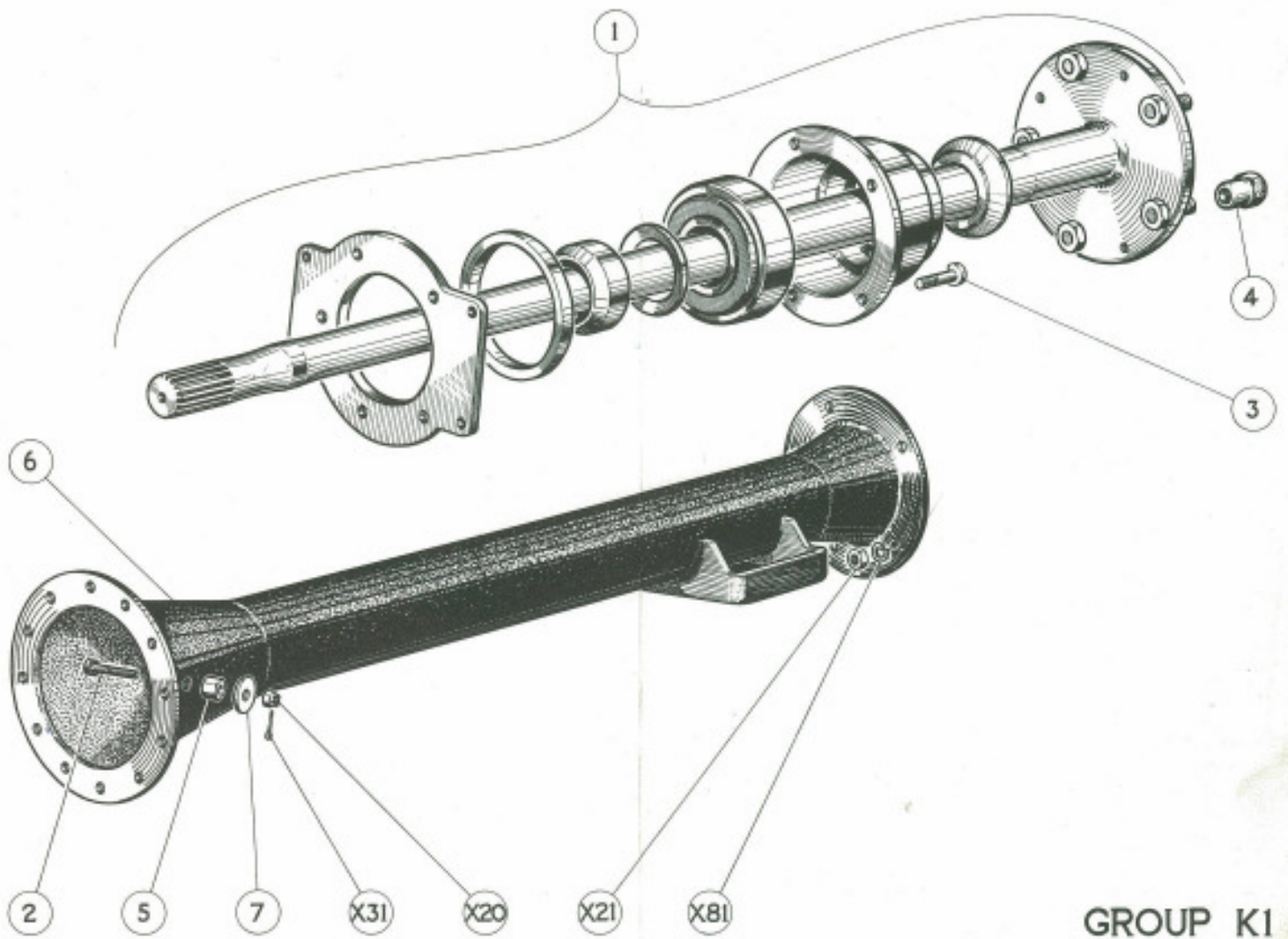
GROUP K4. DIFFERENTIAL UNIT (Continued)

CIRCLIP, Seegar, external to No. C5 x 33	4		1
PINION, bevel	5	GB 4503	4
TRUNNION	6	RG 5540	2
WASHER, adjusting, bevel pinion	7		4 A
.072 thick RG 4374		.088 thick RG 4382	
.074 thick RG 4375		.090 thick RG 4383	
.076 thick RG 4376		.092 thick RG 4384	
.078 thick RG 4377		.094 thick RG 4385	
.080 thick RG 4378		.096 thick RG 4386	
.082 thick RG 4379		.098 thick RG 4387	
.084 thick RG 4380		.100 thick RG 4388	
.086 thick RG 4381		.102 thick RG 4389	
WASHER, adjusting, bevel wheel	8		2
.084 thick RG 4357		.102 thick RG 4366	
.086 thick RG 4358		.104 thick RG 4367	
.088 thick RG 4359		.106 thick RG 4368	
.090 thick RG 4360		.108 thick RG 4369	
.092 thick RG 4361		.110 thick RG 4370	
.094 thick RG 4362		.112 thick RG 4371	
.096 thick RG 4363		.114 thick RG 4372	
.098 thick RG 4364		.116 thick RG 4373	
.100 thick RG 4365			
WHEEL, bevel, splined	9	GB 4504	2

GROUP K5. PLATE, END

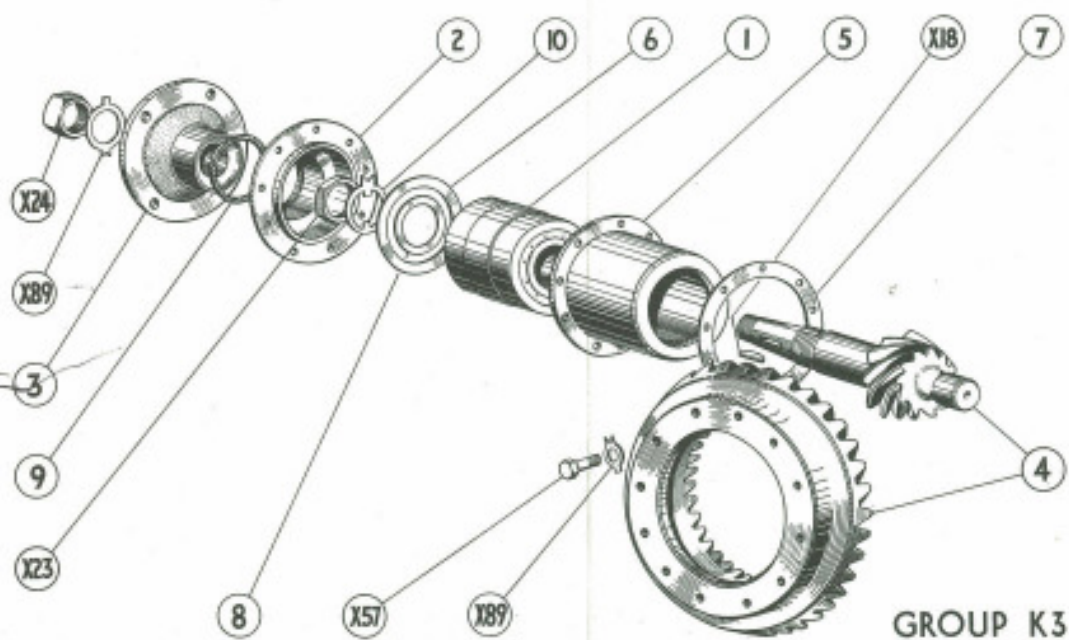
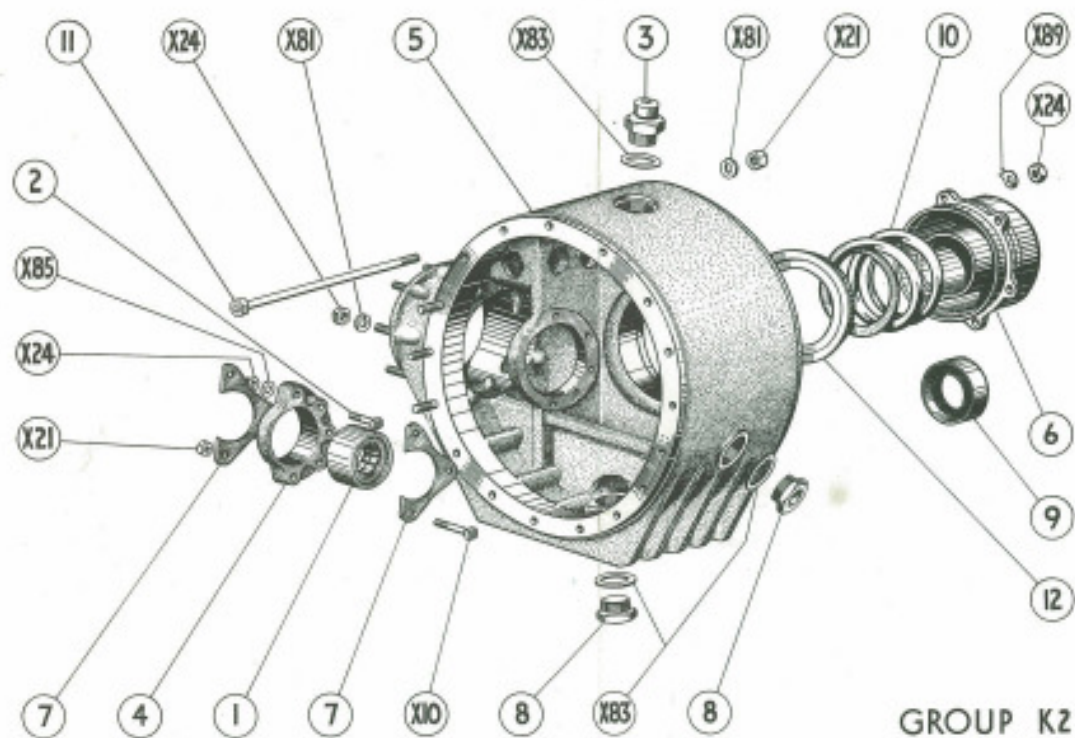
Comprising

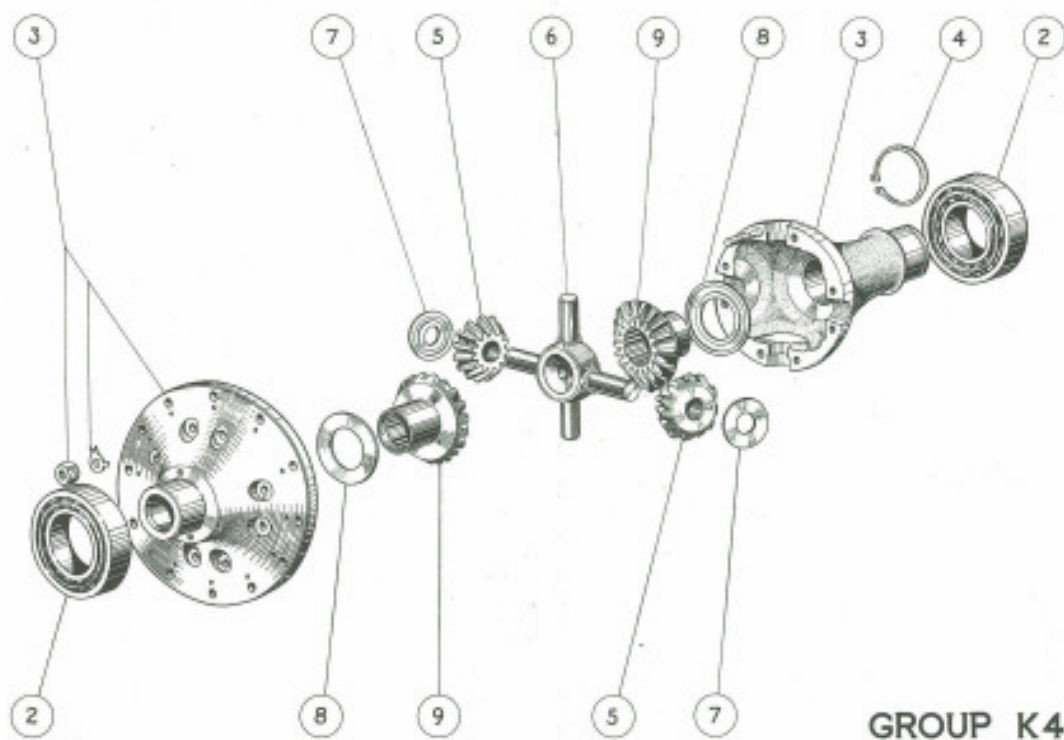
BOLT, .312" dia., axle tube, retaining	X.11	K 306/Z	24
HOUSING, oil seal, L.H.	1	GB 4917	1
NUT, full, .312" dia., axle tube retaining bolt	X.21	K 4009/Z	24
NUT, half, 3 BA, back plate screw	X.24	K 4304/Z	12
NUT, internally serrated, housing, L.H.	2	GB 4501	1
PIECE, distance backplate	3	RG 3309	12
PLATE, back, bolt locking	4	GB 4506	2
PLATE, end, L.H.	5	RG 3045	1
PLATE, end, R.H.		GB 5399	1
RING, wire, locking housing nut, L.H.	6	GB 4663	1
SCREW, 3 BA, backplate retaining	X.49	K 2707	12
SEAL, oil	7	RG 4264	1
WASHER, adjusting, Timken bearing	8		1 A
.185 thick RG 7340		.205 thick RG 7344	
.190 thick RG 7341		.210 thick RG 7345	
.195 thick RG 7342		.215 thick RG 7346	
.200 thick RG 7343		.220 thick RG 7347	
WASHER, Grover, .312" dia., axle tube retaining bolt	X.81	K 4509	24



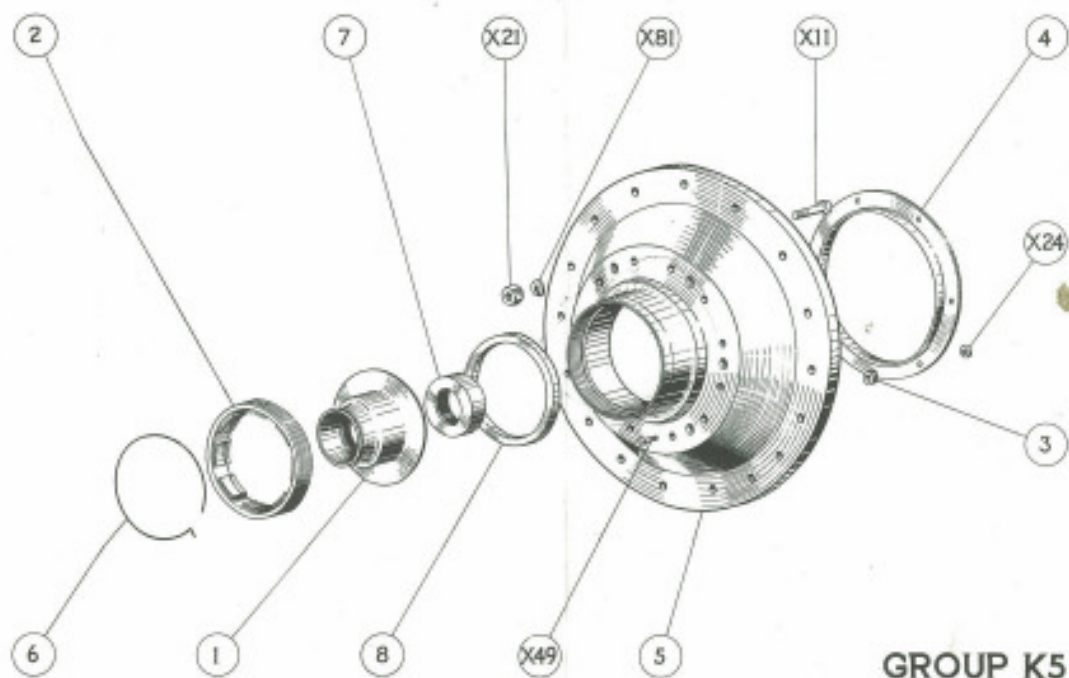
GROUP K1







GROUP K4



GROUP K5

